



Alcyon LED Vertical

Lytespan Professional-grade track lighting



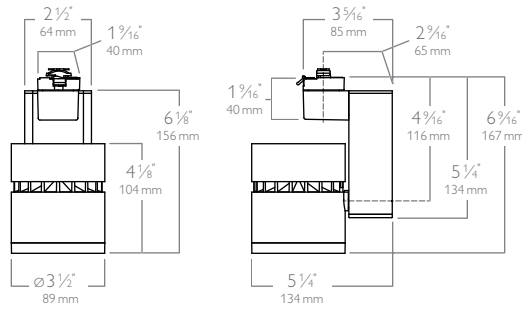
PHILIPS
LIGHTOLIER

Alcyon LED Vertical

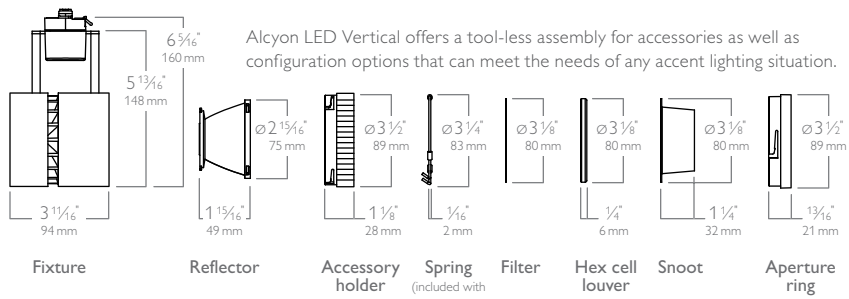
10W/600 & 15W/1000lm track lighting



LLAV1130AL
shown above with
RS reflector



LLAV1130BK
shown above with RF reflector.
Also available in white finish
and RNF, RNS and RS reflectors,
(see ordering guide).



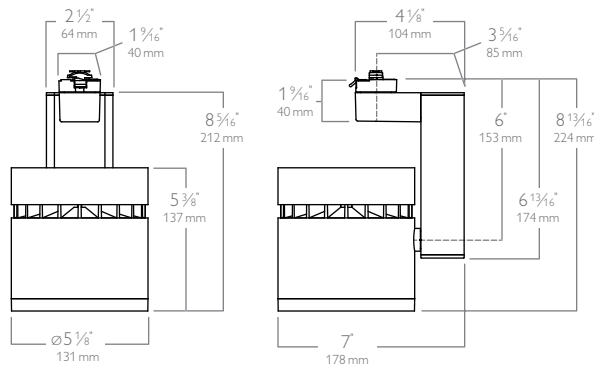
Alcyon LED Vertical offers a tool-less assembly for accessories as well as configuration options that can meet the needs of any accent lighting situation.

See specification sheets **LLAV01** and **LLAV11** for more information.

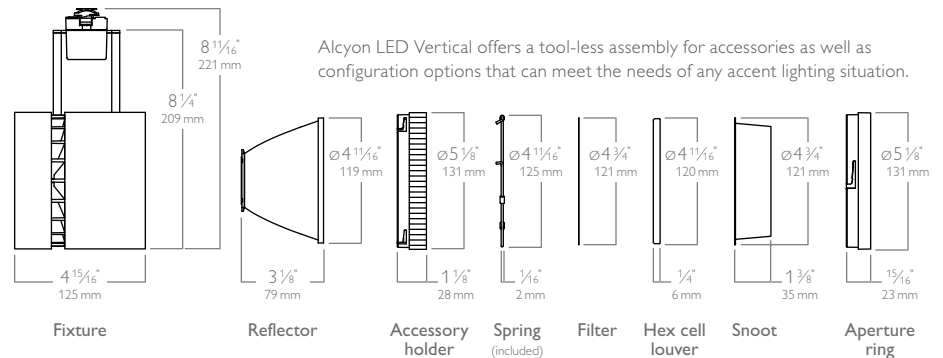
32W/2000lm track lighting



LLAV1240AL
shown above with
RS reflector



LLAV1240BK
shown above with RF reflector.
Also available in white finish
and RNF, RNS and RS reflectors,
(see ordering guide).



Alcyon LED Vertical offers a tool-less assembly for accessories as well as configuration options that can meet the needs of any accent lighting situation.

See specification sheet **LLAV12** for more information.

Features track lighting

Taking LED accent lighting to the next level



Alcyon LED Vertical is a single-optic LED platform designed with a balance of form, function and visual comfort. Its complete flexibility in lumen output and beam angle allows for optimal lighting designs including extremely tight accent applications. Its industry leading efficacy and candlepower levels offer customers a low energy consumption solution that provides maximum light output at minimum watts per square foot to meet the latest ASHRAE codes. For added flexibility, the interchangeable reflectors along with the widest range of accessories help designers customize the light output to create the perfect environment.

Components

1. Fixture kit
2. Reflector kit
3. Accessory holder¹
4. Accessory spring¹
5. Diffusion filters
6. Hex cell louver
7. Snoot
8. Aperture ring

Features

- Efficacy: 75+ lumens per watt
- Lumens: 600, 1000 and 2000
- Correlated Color Temperature: 2700K, 3000K and 4000K
- Reflectors: Narrow Spot, Spot, Narrow Flood and Flood beams
- Finishes: White, Black and Aluminum
- CRI: 80-85
- Warranty: 5-years
- ENERGY STAR certified
- 1000lm 10° Narrow Spot delivers more than 24000CBCP³ for excellent punch
- Allows for multiple accessories
- Trailing edge (ELV) dimming
- Rated lifetime of 50,000hrs at 70% lumen maintenance
- Quick ship options available (see spec sheets for details)

Ordering guide and specifications

Fixture + Reflector + optional accessories = complete unit.

Alcyon LED Vertical track mounted fixtures are comprised of a fixture, reflector, and any combination of optional accessories.

Ordering track lighting**Fixture**

example: LLAV1130BK

Series	Lumens	CCT	Finish
<input type="text" value="LLAV"/>	<input type="text"/>	<input type="text"/>	<input type="text"/>
LLAV Alcyon LED track cylinder	01 600lm 11 1000lm 12 2000lm	27 2700K 30 3000K 40 4000K	WH White AL Aluminum BK Black

Track: Mounting compatible with all Monopoint, Multipoint, recessed track, suspension track, suspension stems, sloped ceiling adapters as well as Basic, Advent and Radius track systems. Ceiling and horizontal or vertical wall mounted. (Prospec, Halo, Juno and ConTech track adaptors are available).

Reflector

example: LLAV11RNF

Series	Lumens	Reflector
<input type="text" value="LLAV"/>	<input type="text"/>	<input type="text"/>
LLAV Alcyon LED reflector	11 600/1000lm 12 2000lm	RNS Narrow Spot RS Spot RNF Narrow flood RF Flood

Accessories

example: LLA11AH

Series	Finish
<input type="text"/>	<input type="text"/>
Accessory holder¹	
LLAV11AH Alcyon LED 600/1000lm LLAV12AH Alcyon LED 2000lm	WH Matte White BK Matte Black AL Aluminum
Snoot	
LLA11SN Alcyon LED 600/1000lm ² 23SNT6 Alcyon LED 2000lm	WH Matte White BK Matte Black AL Aluminum ²
Diffusion filter	
LLAV11 Alcyon LED 600/1000lm LLAV12 Alcyon LED 2000lm	LS Linear Spread SY Symmetrical Spread SF Soft Focus FR Frosted Etched

Color filters/gels

Color gels provided by others for Alcyon LED 600/1000lm

ADF4 Alcyon LED 2000lm or Color gels provided by others

Hex cell louver

LLAHCA11 Alcyon LED 600/1000lm (matte black only)

AL4HC Alcyon LED 2000lm (matte black only)

1. Alcyon LED accessory holders include an accessory spring (shown above).
 2. Alcyon LED 600/1000lm (LLA11SN) is not available in an Aluminum (AL) finish.
 3. CBCP refers to Center Beam Candle Power.
- See specification sheets **LLAV01**, **LLAV11**, and **LLAV12** for more information.



© 2014 Koninklijke Philips N.V. All rights reserved.
Specifications are subject to change without notice.
www.philips.com/luminaires

PLi-1316BN 02/14

Philips Lighting
North America Corporation
200 Franklin Square Drive
Somerset, NJ 08873
Phone: 855-486-2216

Philips Lighting Company
281 Hillmount Road
Markham ON, Canada L6C 2S3
Phone: 800-668-9008