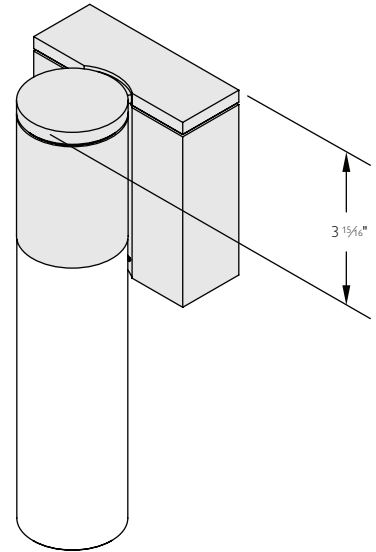
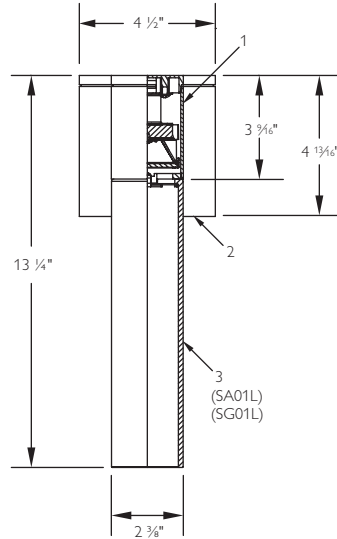
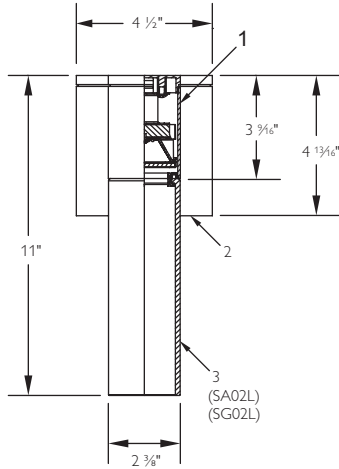


PW Series

Decorative, LED Vetro Wall Sconce



Power Heads:

Cat. No.	Lamp	Watts	CCT	Voltage
PW01L27SAU	LED	6W	27k	120V-277V
PW01L30SAU			30k	
PW01L35SAU			35k	
PW01L40SAU			40k	

Diffuser:

Cat.	Description	Compatibility
SG01L	10" Inner Opal Glass	Required for all glass options
SG02L	8" Inner Opal Glass	
SA01L	10" Inner Opal Glass	Required for all acrylic options
SA02L	8" Inner Opal Glass	

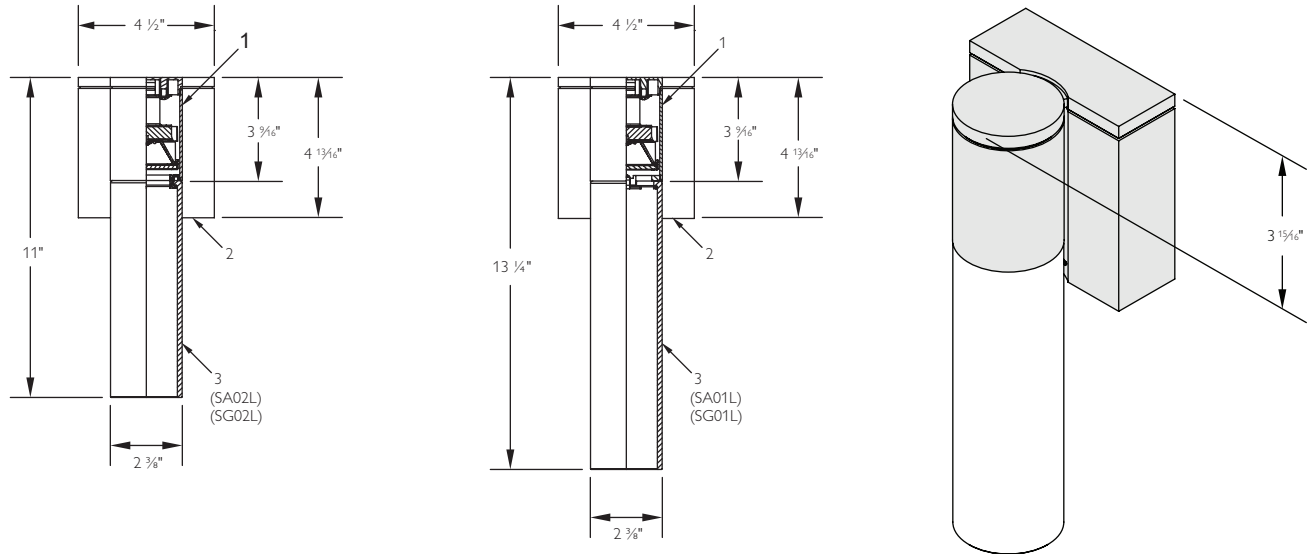
Note: Power Head and Primary Diffuser must be ordered to make complete Luminaire.

Job Information	Type:
Job Name:	
Cat. No.:	
Notes:	

PW Series

Decorative, LED Vetro Wall Sconce

Page 2 of 3



Features

- 1. Power Head:** Die cast and extruded aluminum components. Brushed and clear lacquer finish.
- 2. Backplate:** Die Cast Aluminum, Brushed and Clear Lacquer Finish.
- 3. Primary Diffuser:** (SG01L) 10" triplex hand blown glass, (SG02L) 8" triplex hand blown glass, (SA01L) 10" opal acrylic, or (SA02L) 8" opal acrylic.
- 4. Optical Mixing Chamber:** Remote phosphor technology provides increased efficiency and color stability. Phosphor lens assembly positioned in front of LED array converts blue light to white and produces a wide even pattern of diffused light without bright spots created by individual LEDs. Uniform phosphor coating provides consistent, stable color with a shift of no more than +/-100K over life. Mixing chamber redirects scattered light back out through the emitting aperture.
- 5. Thermal Management:** Heat sink design maintains junction temperature for consistent, reliable performance and 50,000 hour lifetime at 70% lumen maintenance.
- 6. Luminaire Mounting:** Luminaire can be mounted glass up, glass down or glass to either side (shown glass down above).

Electrical

LED Board: Array of 6 high brightness royal blue LEDs.

Input Voltage	Input Frequency	Input Current	LED Drive Current	Input Power	LED Power	Power Factor
80-308V	50/60Hz	475ma	350mA	7.75W	6W	0.6

Labels

cULus for damp locations.

Job Information	Type:
------------------------	--------------

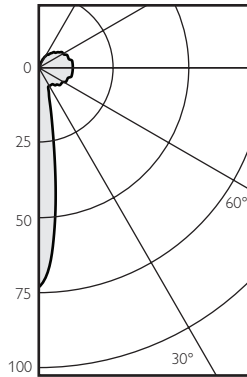
PHILIPS
LIGHTOLIER

PW Series

Decorative, LED Vetro Wall Sconce

Page 3 of 3

Catalog No: PW01L40SAU-SG01, 6.9W, 106 Lumens.



Report No. 4151FR

Candlepower Summary			
Angle	Mean CP	Angle	Mean CP
0	73	90	11
5	70	95	11
10	57	100	11
15	42	105	10
20	9	110	10
25	7	115	10
30	7	120	9
35	7	125	9
40	8	130	8
45	8	135	7
50	9	140	6
55	9	145	6
60	10	150	5
65	10	155	4
70	11	160	3
75	11	165	2
80	11	170	1
85	11	175	1

Zonal Lumens and Percentages			
Zone	Lumens	%Lamp	%Fixt
0-30	12	6	11
0-40	16	8	15
0-60	30	15	28
0-90	61	30	57
90-180	45	22	43
0-180	106	52	100

Total Fixture Lumens:	106 lm
Color Temp:	4000K
LED Lumens:	203 lm
Total Luminaire Efficiency:	52.0%
Input Watts:	6.9W
Luminaire Efficacy	15 lm/w
CRI	78

IESNA approved method for the electrical and photometric measurements of solid-state lighting products.



Philips Lightolier
e: lol.webmaster@philips.com
t: (508) 679-8131
w: www.lightolier.com

PW-LED October 18, 2011

Specifications are subject to change without notice.
© Koninklijke Philips Electronics N.V., 2011. All rights reserved.

Job Information	Type:
------------------------	--------------