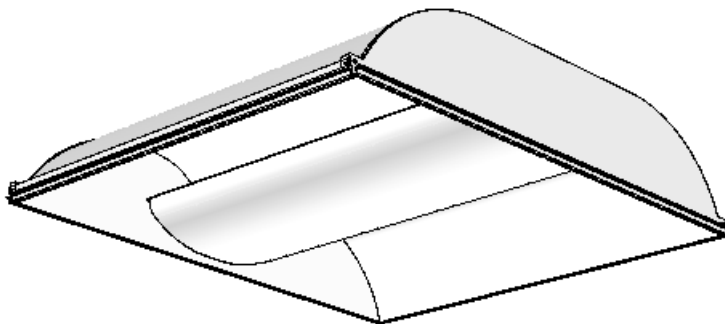


# Coffaire II Recessed Fluorescent **CFH2GPF2FT or 3FT**

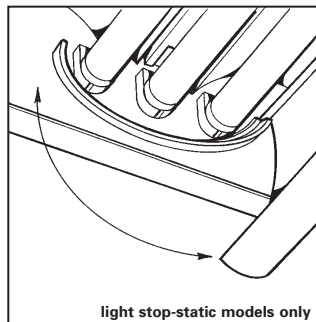
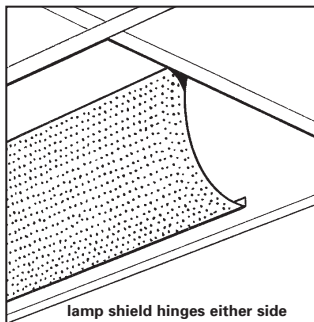
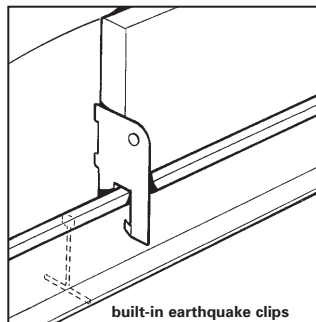
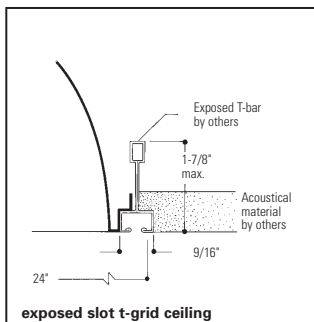
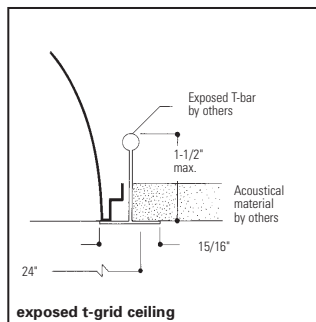
Direct/Indirect – 2' x 2' with Perforated Basket  
Air Handling/Static, 2 Lamp or 3 Lamp, Twin Tube T5

## Features

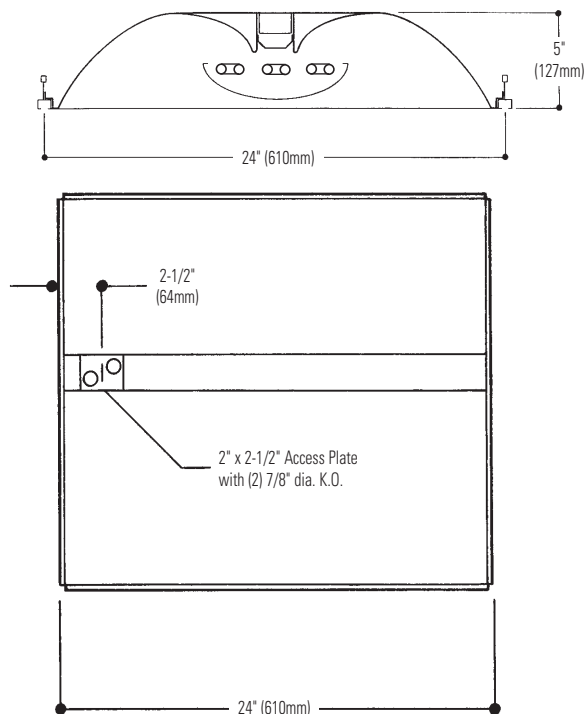
- Direct/indirect lamp shield appearance.
- Perforated mesh lamp shield with white acrylic overlay.
- Contoured body and ends.
- Air return models meet UL 1598, Paragraph 9.2.2.5 requirements.
- 68.1% efficient (2 lamp).
- 55.2% efficient (3 lamp).
- Spacing to mounting ratio 1.4 (2 lamp).
- Spacing to mounting ratio 1.3 (3 lamp).
- Only 5" deep.
- Tension bars secure ends to body.
- Same fixture fits both G and T ceiling.
- Fits flush to face of slot grid (T) ceiling.
- Static models have injection molded light stop at basket ends.
- Perforated lamp shield hinges from either side.
- Ballast accessible from room side.
- Can be continuous row mounted.
- Wiring access plate standard.
- Construction to meet NYC Code or Chicago Plenum requirement is available.



## Mounting Methods



## Dimensions



### Job Information

### Type:

**Job Name:**

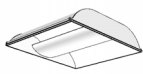
**Cat. No.:**

**Lamp(s):**

**Volts/Ballast:**

Lightolier a Genlyte company [www.lightolier.com](http://www.lightolier.com)  
 Technical Information: (978) 657-7600 • Fax (978) 658-0595  
 631 Airport Road, Fall River, MA 02720 • (508) 679-8131 • Fax (508) 674-4710  
 We reserve the right to change details of design, materials and finish.  
 © 2005 a Genlyte company **Section 5/Folio M15-25**

**LIGHTOLIER**



# Coffaire II Recessed Fluorescent **CFH2GP2FT or 3FT**

Page 2 of 2

Direct/Indirect – 2' x 2' with Perforated Basket  
Air Handling/Static, 2 Lamp or 3 Lamp, Twin Tube T5

## Model No. CFH2GPF2FT120SB

LER = FP - 56.2 IW - 65.5 BF - 0.86  
Comparative yearly lighting energy cost per 1000 lumens = \$4.27

Report Number: G2004033  
Catalog Number: CFH2GPF2FT120SB  
Lamps: F40 30BX/SPX35  
Luminaire: Coffaire II with perforated basket  
Ballast: Triad C240SI120  
Report is based on 3150 Lumens per lamp.  
Efficiency: 68.1%  
CIE Type-Direct-Indirect  
Plane: 0-Deg 90-Deg  
Spacing Criteria: 1.2 1.4  
Shielding Angles: 90 90  
Plane: 0-Deg 90-Deg  
Luminous Length: 22.920 22.920

### CANDELA DISTRIBUTION

	0.0	45.0	90.0	FLUX
0	1423	1423	1423	
5	1416	1416	1417	135
15	1354	1369	1385	387
25	1242	1283	1331	593
35	1089	1168	1251	732
45	897	1024	1130	786
55	669	844	949	738
65	423	607	665	569
75	200	295	300	290
85	37	53	56	61
90	0	0	0	

### COEFFICIENTS OF UTILIZATION – ZONAL CAVITY METHOD. EFFECTIVE FLOOR CAVITY REFLECTANCE 0.20

RC	80	50	30
RW	70	50	30
1	74	71	68
2	67	62	57
3	61	54	48
4	56	48	41
5	51	42	36
6	47	38	32
7	44	34	28
8	41	31	25
9	38	29	23
10	36	26	21

### LUMINANCE DATA IN CANDELA/SQ. METER

AVERAGE IN DEG.	AVERAGE 0-DEG.	AVERAGE 45-DEG.	AVERAGE 90-DEG.
45	3742.	4271.	4713.
55	3440.	4340.	4880.
65	2952.	4236.	4641.
75	2279.	3362.	3419.
85	1252.	1794.	1895.

### ZONAL LUMEN SUMMARY

ZONE	LUMENS	% LAMP	% FIXT
0- 30	1115	17.7	26.0
0- 40	1847	29.3	43.1
0- 60	3370	53.5	78.6
0- 90	4289	68.1	100.0
90-180	0	0.0	0.0
0-180	4289	68.1	100.0

## Model No. CFH2GPF3FT120X3

LER = FP - 41.2 IW - 111.1 BF - 0.88  
Comparative yearly lighting energy cost per 1000 lumens = \$5.85

Report Number: G2004247  
Catalog Number: CFH2GPF3FT120X3  
Lamps: F40/TT5  
Luminaire: Coffaire II with perforated basket  
Ballast: UT340120  
Report is based on 3150 Lumens per lamp.  
Efficiency: 55.2%  
CIE Type-Direct-Indirect  
Plane: 0-Deg 90-Deg  
Spacing Criteria: 1.2 1.3  
Shielding Angles: 90 90  
Plane: 0-Deg 90-Deg  
Luminous Length: 22.920 22.920

### CANDELA DISTRIBUTION

	0.0	45.0	90.0	FLUX
0	1878	1878	1878	
5	1848	1861	1878	177
15	1746	1789	1826	506
25	1582	1658	1726	766
35	1364	1479	1582	927
45	1100	1258	1386	966
55	796	995	1125	874
65	474	686	753	641
75	218	299	326	304
85	40	49	50	59
90	0	0	0	

### COEFFICIENTS OF UTILIZATION – ZONAL CAVITY METHOD. EFFECTIVE FLOOR CAVITY REFLECTANCE 0.20

RC	80	50	30
RW	70	50	30
1	60	58	55
2	55	50	47
3	50	44	40
4	46	39	34
5	42	35	30
6	39	32	27
7	36	29	24
8	34	26	21
9	31	24	19
10	29	22	18

### LUMINANCE DATA IN CANDELA/SQ. METER

AVERAGE IN DEG.	AVERAGE 0-DEG.	AVERAGE 45-DEG.	AVERAGE 90-DEG.
45	4588.	5247.	5781.
55	4093.	5117.	5785.
65	3308.	4788.	5255.
75	2484.	3407.	3715.
85	1354.	1658.	1692.

### ZONAL LUMEN SUMMARY

ZONE	LUMENS	% LAMP	% FIXT
0- 30	1449	15.3	27.8
0- 40	2376	25.1	45.5
0- 60	42316	44.6	80.8
0- 90	5219	55.2	100.0
90-180	0	0.0	0.0
0-180	5219	55.2	100.0

## Ordering Information

Explanation of Catalog Number. Example: CFH2GPF2FT120SB

<b>CF</b> Coffaire II: Direct/Indirect: Recessed with Perforated Mesh Shield	<b>CY</b> For NYC Code – I.B.E.W. Manufactured	<b>CN</b> For NYC Code – Local 3 Manufactured	<b>2</b> Fixture Width	<b>G</b> Ceiling Type: Fits both Standard Grid and Slot Grid	<b>P</b> Perforated Lamp Shield	<b>F</b> Flat White Reflector	<b>FT</b> Lamp: (By Others)	<b>120, 277 or UNV=120-277</b> Voltage:	<b>Ballast Type:</b> <20THD <b>SB *</b> 1-2 Lamp Elec. TT5 (40 Watt) <b>X3 *</b> 1-3 Lamp Elec. TT5 (40 Watt) <b>PB</b> LOL Dimming TT5 *Instant Start Standard Other dimming options. Consult factory.	<b>Options:</b> Add appropriate suffix to catalog no., ie: (GLR) <b>IB *</b> <10THD
---	---	--	---------------------------	---	------------------------------------	----------------------------------	--------------------------------	--	--	--

## Options/Accessories

**Fusing:** Internal fast blow fusing: SUFFIX: **GLR**.  
Internal slow blow fusing: SUFFIX: **GMF**.  
**Drywall Kit:** Order Catalog Number: **FK92X2** and **CF2FK SPACER**.  
**Electrical Wiring Options:** Consult factory.  
**Chicago Plenum:** SUFFIX **C**.

## Specifications

**Performance:** In an installation of 2 lamp 40W luminaires in a room cavity ratio of 1, with reflectance 80% ceiling, 50% wall, 20% floor, the C.U. shall not be less than .71. To reduce glare the average brightness at 65° shall not exceed 4641 candelas per square meter. To control veiling reflections, luminaire output in the 30°-90° zone shall not be less than 74.0%.  
**Materials:** Chassis parts are die-formed code gauge steel.  
**Lamp Shield:** 22 gauge steel perforated mesh lamp shield with white acrylic overlay.

## Specifications (continued)

**Finish:** Chassis exterior – baked white post painted acrylic enamel. **Cavity** – baked white post painted acrylic enamel. **Reflector** – baked white post painted acrylic enamel, minimum 86% reflectance. Phosphate undercoating. **Lamp Shield** – baked flat white acrylic enamel.  
**Electrical:** Thermally protected class "P" ballast C.B.M. approved, non PCB. If K.O. is within 3" of ballast, use wire suitable for at least 90°.  
UL Listed for damp locations.  
**Labels:** I.B.E.W./UL and ULc Listed.

## Job Information Type:

**Lightolier** a Genlyte company [www.lightolier.com](http://www.lightolier.com)  
Technical Information: (978) 657-7600 • Fax (978) 658-0595  
631 Airport Road, Fall River, MA 02720 • (508) 679-8131 • Fax (508) 674-4710  
We reserve the right to change details of design, materials and finish.  
© 2005 a Genlyte company **Section 5/Folio M15-25**

**LIGHTOLIER**