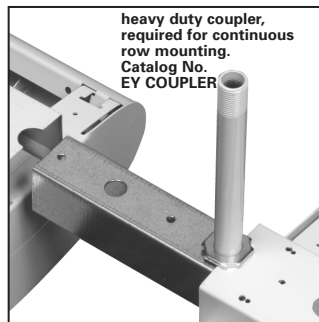
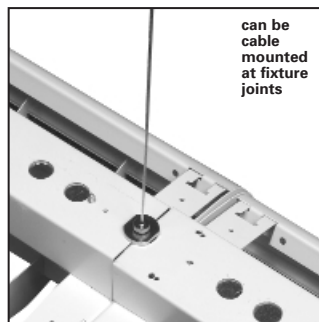
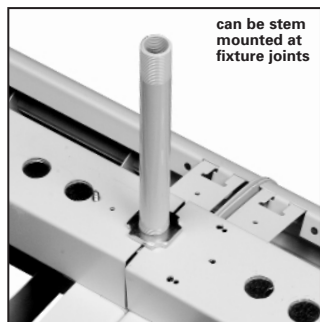


Features

- Ideal for stores, schools, labs.
- Acrylic linear, prismatic lens.
- 85% downlight, 15% uplight.
- 75.1% efficient (3 lamp 54W T5). 70.4% efficient (3 lamp 32W T8).
- 1.5 spacing mounting ratio (3 lamp 54W T5).
- 1.4 spacing mounting ratio (3 lamp 32W T8).
- Can be pendant or surface mounted.
- 48" or 96" modular lengths.
- 95% reflective Specular Aluminum top Reflector.
- 20 gauge steel housing. 18 gauge steel ends.
- 22 gauge steel side reflectors.
- Flat white acrylic baked enamel, post painted.
- Lens can hinge from either side.
- Lens safety chain standard.
- Removeable upper end cap for thru wiring.
- Can be stem or cable mounted at fixture joints.
- K.O. in upper end cap for occupancy sensor.
- Heavy duty coupler available.
- Meets NYC Code requirements.



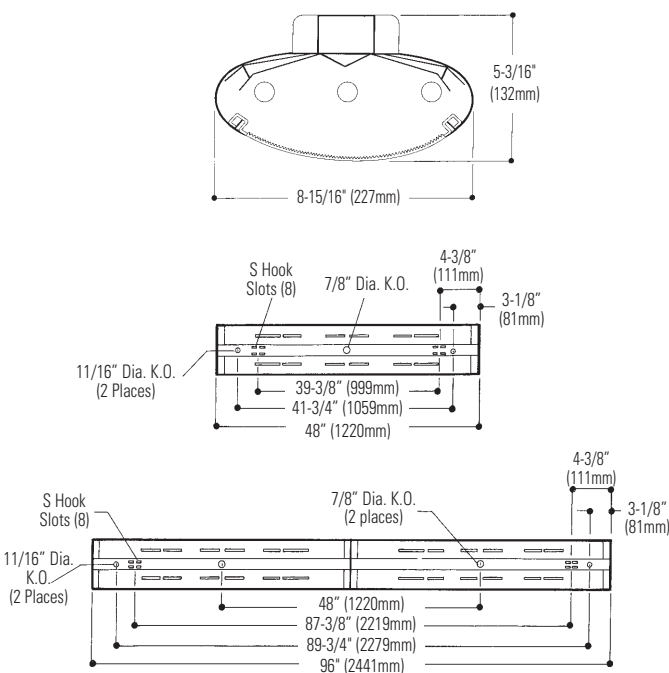
Mounting Methods



Luminaire-Mounted Motion Sensor
360° coverage, up to 45 ft. mounting distance. Field installed. Catalog Number: **FHB360**.

- Line voltage accepts 120 through 347 volt applications.
- Uses passive infrared (PIR) technology shielded by a fresnel lens; upon detection of infrared energy levels, the sensor is triggered and switches the light on.
- Light shuts off after a time delay unit that is factory preset at 10 minutes, manually adjustable from 30 sec. to 20 min. using tool included.
- Mounts on either end using 7/8" knockouts provided.

Dimensions



Job Information	Type:
Job Name:	
Cat. No.:	
Lamp(s):	
Volts/Ballast:	

Lightolier a Genlyte company www.lightolier.com
 Technical Information: (978) 657-7600 • Fax (978) 658-0595
 631 Airport Road, Fall River, MA 02720 • (508) 679-8131 • Fax (508) 674-4710
 We reserve the right to change details of design, materials and finish.
 © 2005 a Genlyte company **Section 5/Folio K60-10**

LIGHTOLIER



Eye-QLB EYS4LNFR354

Linear Prismatic Lens, 85% Downlight, 15% Uplight 48" Length 3 Lamp T5/T8, 96" Length 3 Lamp T5/T8 in Tandem

Model No. EYS4LNFR332UNVH3

LER = FP - 63.0 IW - 84.52 BF - 1.09
Comparative yearly lighting energy cost per
1000 lumens = \$3.81

Report Number: G2005278
Catalog Number: EYS4LNFR332UNVH3
Lamps: F32T8/TL841
Luminaire: Eye-Q LB with solid sides, linear
prismatic lens and 15% uplight specular
reflector
Ballast: Triad B332I120RH-A
Report is based on 2850 Lumens per lamp.
Efficiency: 70.4%
CIE Type-Direct-Indirect
Plane: 0-Deg 90-Deg
Spacing Criteria: 1.2 1.4
Shielding Angles: 90 90
Plane: 0-Deg 90-Deg
Luminous Length: 48.000 9.000
Height of Side: 3.960 3.960

COEFFICIENTS OF UTILIZATION - ZONAL CAVITY METHOD. EFFECTIVE FLOOR CAVITY REFLECTANCE 0.20

RC	80	50	30	80	50	30	10
1	74	70	67	62	60	58	56
2	67	61	56	54	51	48	45
3	61	53	48	44	43	40	38
4	56	47	41	38	34	30	28
5	51	42	36	33	29	25	22
6	47	38	32	29	26	22	20
7	44	34	28	25	22	19	17
8	41	31	25	22	20	17	15
9	38	29	23	20	18	15	13
10	36	26	21	18	16	13	11

LUMINANCE DATA IN CANDELA/SQ. METER

AVERAGE IN DEG.	AVERAGE 0-DEG.	AVERAGE 45-DEG.	AVERAGE 90-DEG.
45	4695.	4862.	4773.
55	4000.	4304.	3759.
65	3094.	3405.	3266.
75	1950.	2554.	2790.
85	635.	2024.	2239.

CANDELA DISTRIBUTION

	0.0	45.0	90.0	FLUX
0	1739	1739	1739	
5	1711	1743	1772	166
15	1616	1696	1703	474
25	1459	1492	1551	697
35	1257	1316	1608	868
45	1002	1209	1355	911
55	715	945	979	787
65	429	626	748	592
75	184	364	532	385
85	30	196	328	208
90	14	131	239	
95	26	112	205	125
105	70	75	112	84
115	120	68	87	86
125	169	98	85	108
135	215	174	121	133
145	255	253	208	151
155	288	285	286	132
165	311	306	308	87
175	323	314	315	30
180	316	316	316	

ZONAL LUMEN SUMMARY

ZONE	LUMENS	% LAMP	% FIXT
0- 30	1337	15.6	22.2
0- 40	2204	25.8	36.6
0- 60	3903	45.6	64.8
0- 90	5088	58.5	84.5
90-120	295	3.5	4.9
90-130	403	4.7	6.7
90-150	687	8.0	11.4
90-180	935	10.9	15.5
0-180	6023	70.4	100.0

Model No. EYS4LNFR354UNVPU

LER = FP - 64.9 IW - 152.5 BF - 1.00
Comparative yearly lighting energy cost per
1000 lumens = \$3.70

Report Number: G2005293
Catalog Number: EYS4LNFR354UNVPU
Lamps: FP54/835
Luminaire: Eye-Q LB with solid sides, linear
prismatic lens and 15% uplight specular
reflector.
Ballast: Universal B454IUNV-E
Report is based on 4400 Lumens per lamp.
Efficiency: 75.1%
CIE Type-Direct-Indirect
Plane: 0-Deg 90-Deg
Spacing Criteria: 1.2 1.5
Shielding Angles: 90 90
Plane: 0-Deg 90-Deg
Luminous Length: 48.000 9.000
Height of Side: 3.960 3.960

COEFFICIENTS OF UTILIZATION - ZONAL CAVITY METHOD. EFFECTIVE FLOOR CAVITY REFLECTANCE 0.20

RC	80	50	30	80	50	30	10
1	78	74	71	66	64	61	59
2	71	64	59	58	54	50	47
3	64	56	50	46	42	37	34
4	59	50	43	40	35	30	27
5	54	44	38	34	30	25	22
6	50	40	33	29	25	20	18
7	46	36	29	25	21	17	15
8	43	33	26	22	18	14	12
9	40	30	24	20	16	12	10
10	37	28	22	18	14	10	8

LUMINANCE DATA IN CANDELA/SQ. METER

AVERAGE IN DEG.	AVERAGE 0-DEG.	AVERAGE 45-DEG.	AVERAGE 90-DEG.
45	7933.	7878.	8260.
55	6959.	7464.	6298.
65	5423.	5994.	5336.
75	3645.	4392.	4778.
85	1207.	3686.	4375.

CANDELA DISTRIBUTION

	0.0	45.0	90.0	FLUX
0	2649	2649	2649	
5	2628	2655	2703	255
15	2477	2700	2727	748
25	2238	2408	2410	1102
35	1986	2052	2517	1373
45	1693	1959	2345	1514
55	1244	1639	1640	1338
65	752	1102	1222	1006
75	344	626	911	671
85	57	357	641	396
90	13	256	476	
95	59	156	285	180
105	165	93	174	128
115	278	68	104	121
125	386	119	70	151
135	487	222	140	205
145	573	367	258	243
155	640	493	427	235
165	688	621	578	176
175	707	692	691	66
180	694	694	694	

ZONAL LUMEN SUMMARY

ZONE	LUMENS	% LAMP	% FIXT
0- 30	2104	15.9	21.2
0- 40	3478	26.3	35.1
0- 60	6329	47.9	63.9
0- 90	8402	63.7	84.8
90-120	429	3.3	4.3
90-130	580	4.4	5.9
90-150	1028	7.8	10.4
90-180	1505	11.4	15.2
0-180	9907	75.1	100.0

Ordering Information

Explanation of Catalog Number. Example: EYS4LNFR332UNVH3

EY Eye-Q LB: Suspended/ Surface Fluorescent Luminaire	S Solid Sides P Perforated Sides	48 Fixture Length: 4=48" 8=96"	LN Linear Prismatic Lens	F Finish: F=Flat White	R R= 15% Uplight Reflector	3 Lamp Quantity: 3=3 Lamp 3 Lamps in Tandem for 96" Units	32=T5 Lamp Type: (By Others) 32=T5 28=T8 54=T5 (Nominal 48")	120, 277 or UNV=120-277 Voltage: 120, 277 or UNV=120-277	Ballast Type: 1-2 & 1-1 Lamp Elec. T8 (4') 3-2 Lamp Elec. T8 (8') 1-3 or 2-3 Lamp Elec. T8 1-2 & 1-1 Lamp 28W Elec. T5 (4') 3-2 Lamp 28W Elec. T5 (8') 1-3 or 2-3 Lamp 54W Elec. T5 1-2 & 1-1 Lamp 28W or 54W Elec. T5 (4') 3-2 Lamp 28W or 54W Elec. T5 (8') LOL T8 Dimming Other dimming options. Consult factory. *Instant Start Standard †Instant Start (120V or 277V only) ‡Program Rapid Start (UNV only) NOTE: For T8 UNV, you must use HI, H3 Ballast Code.	Options: Add appropriate suffix to catalog no., ie: (GLR)
---	---	---	--	--	---	--	---	--	--	---

Options/Accessories

Stem and Canopy Sets: Suspends fixture 6", 12", 18" or 24" from surface.

Catalog Number: **ASC6 CSP** (6"), **ASC12 CSP** (12"), **ASC18 CSP** (18"),

ASC 24 CSP (24").

Fusing: Internal fast blow fusing: SUFFIX: **GLR**.

Internal slow blow fusing: SUFFIX: **GMF**.

Emergency Pack: Factory-installed emergency power battery pack with

charger and inverter. SUFFIX: **LP400** (T8), **LP550** (T5).

Cable Hangers: Adjustable 6"-60".

Single Cable and Canopy: Catalog Number: **WC60**.

Single Cable, Straight Cord and Canopy: Catalog Number: **WCC60****.

Single Cable, Coil Cord and Canopy: Catalog Number: **WCC60****.

Chain Hanger Kits: Catalog Number: **AH5 CSP**.

**Cord, 3-#18 wires.

Specifications

Materials: Housing is die-formed 20 gauge cold rolled steel with full length channel for thru wiring.

Fixture Ends: 18 gauge cold rolled steel.

Lens: Linear Prismatic.

Side Reflectors: Solid 22 gauge cold rolled steel.

Finish: Post painted white acrylic baked enamel.

Specifications (continued)

Electrical: Thermally protected class "P" ballast C.B.M. approved, non PCB. If K.O. is within 3" of ballast, use wire suitable for at least 90°.

UL Listed for damp locations.

Labels: I.B.E.W./UL and ULc Listed.

Job Information	Type:
-----------------	-------

Lightolier a Genlyte company

www.lightolier.com

Technical Information: (978) 657-7600 • Fax (978) 658-0595

631 Airport Road, Fall River, MA 02720 • (508) 679-8131 • Fax (508) 674-4710

We reserve the right to change details of design, materials and finish.

© 2005 a Genlyte company

Section 5/Folio K60-10

LIGHTOLIER®