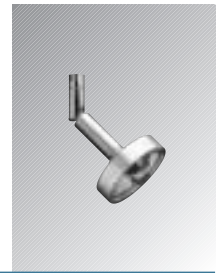




Litelab Corp. | Jewelers' Collection
 251 Elm Street Buffalo, NY 14203 USA
 1-800-238-4120, fax 716-856-0156, www.litelab.com

job name: _____

fixture type: _____



Machined Rings Collection
Incandescent | 12-Volt

Lamp-Ring | Stem

AR-70

Lamp



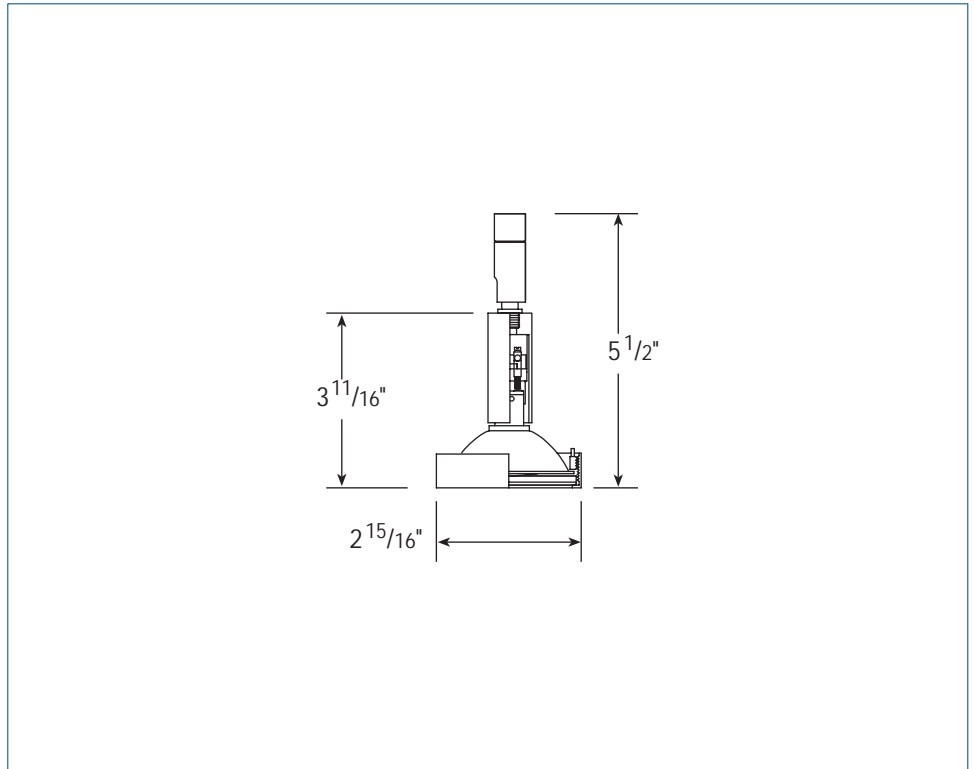
12-volt, Incandescent
 AR-70
 (by others)

Base Fixture Models

12-V.A.C.	LAMP TYPE	MAX. WATTAGE	
J17AR70	AR-70	50-watt	

Features

- Material(s):** 6000-series aluminum, precision-machined to blemish-free architectural finish.
- Lamp Ring:** machined to .187" seamless wall thickness; internally threaded to accept retaining ring for lamp and one or two accessories held level behind 90° front return.
- Socket Cup:** machined to .062" seamless wall thickness, securely fastened to ceramic socket; leads enclosed in swivel-joint stem permitting non-drifting 90° aiming angle and 360° rotation.
- Input:** 12 VAC
- Temperature:** 40° C. (104° F.) ambient maximum
- Weight:** approx. 0.5 lb. with lamp and BusRun fitting.



Finishes

NT	Natural Aluminum
MB	Black
P	White
CP	Custom Paint

Specify:

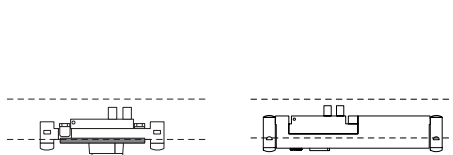
DESCRIPTION:	BASE FIXTURE MODEL	FITTING	FINISH	ACCESSORIES (OPTIONAL)
example:	J17AR70	-9i	-NT	-OL-5X55-m

Accessories

GLASS FILTERS	LOUVERS & SCREENS	
OL-5X55-m 5" x 55" linear spread lens	LVH/m hex cell louver	SNOOT/m Tapered glare shield
OL-SOLITE-m Beam Softener	B-15/m 15% light-blocking screen	
OL-FLAT-m-UV Bausch & Lomb® Optivex™ UV filter		

consult for color glass

Fittings

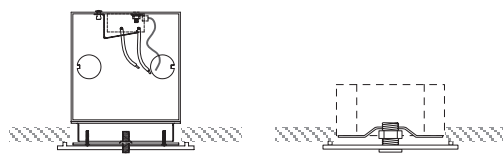


BusRun® Busway

9B fused plug-in fitter for use with 12V BusRun busway

BusRun® Busway

9i fused plug-in fitter with integral transformer for use with 120V BusRun busway



Machined Canopy

3E machined canopy and 4" x 4" x 4" junction box with electronic low-voltage power supply.

Machined Canopy

3 machined canopy and mounting bracket for 4" octagon box by others and remote transformer (ordered separately).