

FEATURES

OPTICAL SYSTEM

- Self-flanged, semi-specular, matte-diffuse or specular lower reflector utilized in combination with a highly transmissive lens. LEDs are completely concealed providing superior aesthetic appeal.
- LEDs in a proprietary mixing chamber provide consistent performance balancing glare, uniformity and efficiency.
- Patented Bounding Ray™ Optical Principle design (U.S. Patent No. 5,800,050) provides 40° cut-off to source and source image for a smooth transition from top of the reflector to bottom.

MECHANICAL SYSTEM

- Housing accommodates a maximum 2" ceiling thickness.
- Light engine and driver are accessible from above or below ceiling.
- 16-gauge galvanized steel mounting bars with continuous 4" vertical adjustment are shipped pre-installed. Post installation adjustment possible without the use of tools from above or below ceiling.
- Galvanized steel junction box with hinged access covers and spring latch. Three combination 1/2"-3/4" and one 1/2" knockout for straight-through conduit runs. Capacity: 8 (4in, 4out) No. 12 AWG conductors rated for 90°C.

ELECTRICAL SYSTEM

- Solid-state LED light engine available in 3000 K, 3500 K or 4100 K color temperatures.
- Class P, thermally protected solid state 0-10V dimming driver.
- Rated system life of 50,000 hours at 70% output.
- Emergency battery pack with remote test switch available.
- Luminaire should be installed in applications where ambient temperatures do not exceed 40°C. Ambient temperatures that exceed 40°C will result in reduced lamp life and will void warranty.

LISTING

- Fixtures are listed and labeled to comply with US and Canadian standards. Wet location listed.

WARRANTY

- 3-year limited warranty.

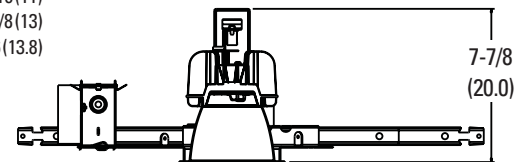
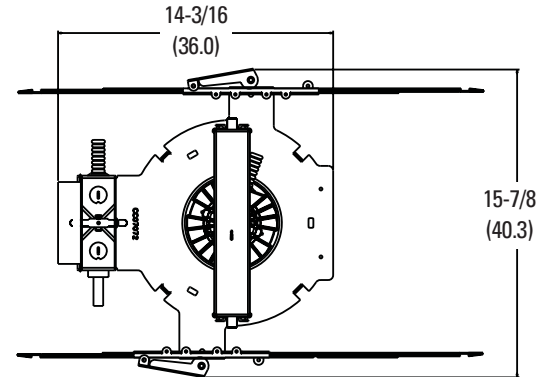
Type Catalog number



LED Downlights

4" ALED

Open Reflector



Aperture: 4-5/16 (11)
Ceiling Opening: 5-1/8 (13)
Overlap Trim: 5-7/16 (13.8)

All dimensions are inches (centimeters).

ORDERING INFORMATION

Example: **ALED 35/10 4AR 120**

Choose the boldface catalog nomenclature that best suits your needs and write it on the appropriate line. Order accessories as separate catalog numbers (shipped separately).

ALED

Series	Color temperature	Nominal lumen values	Aperture	Trim color	Finish	Driver	Options
ALED	30/ 3000 K 35/ 3500 K 41/ 4100 K	06 600 lumens 10 1000 lumens 14 1400 lumens 18 1800 lumens	4	AR Clear PR Pewter WTR Wheat GR Gold WR¹ White	(blank) Semi-specular LD Matte-diffuse LS Specular	(blank) 0-10V dimming driver	SF Single fuse LRC Lithonia Reloc system NSD² Sensorswitch nLight™ dimming relay TRW³ White painted flange TRBL Black painted flange ELR Emergency battery pack with remote test switch CP Chicago plenum

Voltage

120
277
347

Accessories

- SCA4** Sloped ceiling adapter. Degree of slope must be specified (10D, 15D, 20D, 25D, 30D). Ex: SCA4 10D. Refer to [TECH-190](#).
- ISD BC** 0-10V wallbox dimmer. Refer to [ISD-BC](#).

NOTES

- 1 Not available with finishes.
- 2 One 5A relay with one 0-10 VDC dimming output, shipped installed. Requires additional nLight bus power supply.
- 3 Not available with white reflector.

4" ALED Open Reflector

Distribution Curve

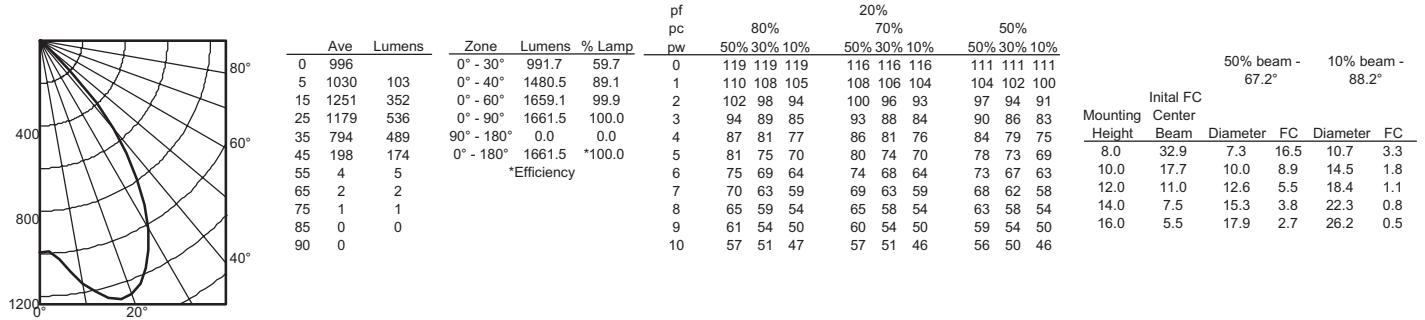
Distribution Data

Output Data

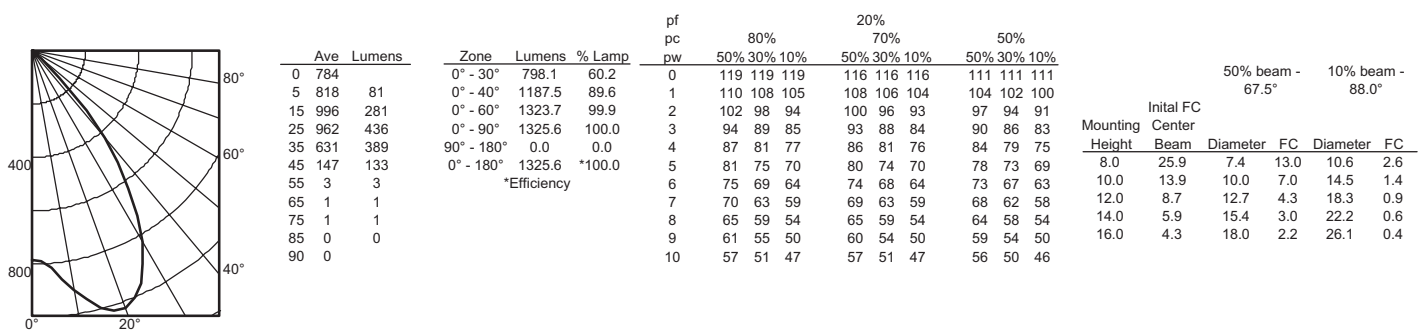
Coefficient of Utilization

Illuminance Data at 30" Above Floor for a Single Luminaire

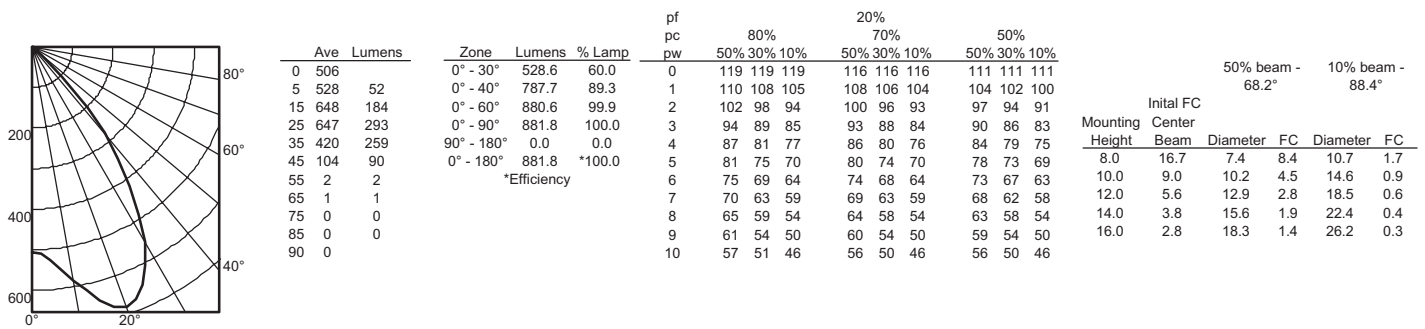
ALED 35/18 4AR LS, 38W LED, 1662 delivered lumens, 1.3 s/mh, Input watts: 38.1, Test No. LTL19410



ALED 35/14 4AR LS, 31W LED, 1326 delivered lumens, 1.3 s/mh, Input watts: 31.3, Test No. LTL19413



ALED 35/10 4AR LS, 22W LED, 882 delivered lumens, 1.4 s/mh, Input watts: 21.9, Test No. LTL19416



NOTES:

- For electrical characteristics, refer to Technical Bulletins tab.
- Tested to current IES and NEMA standards under stabilized laboratory conditions. Various operating factors can cause differences between laboratory data and actual field measurements. Dimensions and specifications are based on the most current available data and are subject to change without notice.
- Consult factory or IES file for microgroove baffle, black cone and other photometric reports.

DLED-500

©2010 Acuity Brands Lighting, Inc. All Rights Reserved.

gotham
An Acuity Brands Company

GOTHAM ARCHITECTURAL DOWNLIGHTING
1400 Lester Road Conyers Georgia 30012
P 800 315 4982 F 770 860 3129
www.gothamlighting.com