



Catalog Number	
Notes	Type

FEATURES & SPECIFICATIONS

INTENDED USE

Suitable for applications requiring attractive edge-lit exit signage, universal installation and low energy consumption.

CONSTRUCTION

Extruded brushed aluminum finish lamp housing.

Clear acrylic panels- letters measure 8" high with 1" stroke.

Mirrored separator panel for double face signs. Clear panel for single face signs.

Dual-voltage input capacity (120/277).

LAMPS

LEDs mounted on printed circuit board. LED rated life up to 10 years.

Low energy consumption – less than 5 watts for 120V red AC only and battery back-up.

INSTALLATION

EDGNY – Universal (top, end or back) mounting. Canopy provided.

EDGRNY – Recessed top mounting only.

Universal directional indicators. Field selected and attached.

LISTING

UL listed (standard). Meets UL 924, NFPA 101 (current Life Safety Code), NEC and OSHA illumination standards.

WARRANTY

Three-year customer satisfaction warranty.

Edge-Lit Exits

EDGNY

LED LAMPS



ORDERING INFORMATION

For shortest lead times, configure product using **standard options (shown in bold)**.

Example: EDGNY 1 R EL N

Family		Housing color		Number of faces		Letter color		Options	
EDGNY	Surface mount LED edge-lit exits	(blank)	Brushed aluminum	1	Single face	R	Red	(blank)	AC only
EDGRNY	Recess mount LED edge-lit exits			2	Double face			EL N	Nickel-cadmium battery

EDGNY LED, Edge-Lit Exits

SPECIFICATIONS

ELECTRICAL

Primary Circuit

Type	Rated LED life ¹	Supply voltage	Input watts	Max. amps
Red LED AC only	10 years	120	3	.025
		277	3	.011
Red LED emergency	10 years	120	3	.025
		277	3	.011

BATTERY (included with ELN option)

Sealed Nickel-Cadmium

Shelf life ¹	Expected life ¹	Maintenance	Optimum temperature ²
3 years	6-8 years	none ³	32° - 100°F (16° - 32°C)

NOTES:

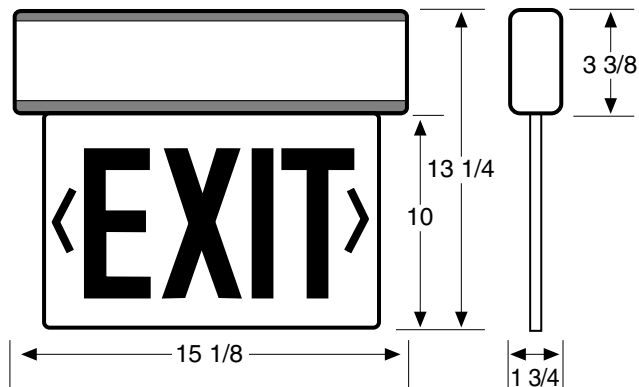
- 1 At 77°F (25°C).
- 2 Optimum ambient temperature range where until will provide capacity for 90 minutes. Higher and lower temperatures affect life and capacity. Consult factory for detailed information.
- 3 Periodic system status test recommended.

MOUNTING

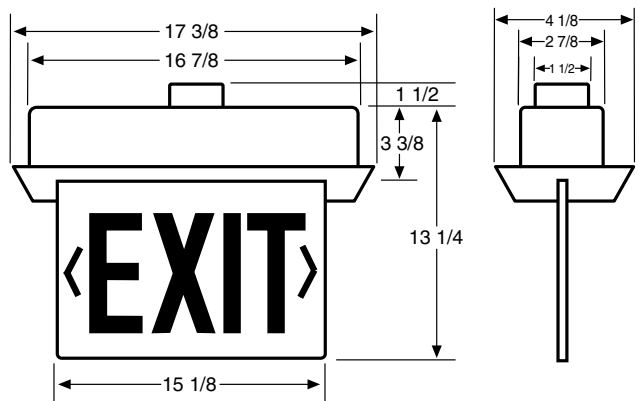
All dimensions are inches.

Shipping weight: 4 lbs (1.814 kgs)

EDGNY

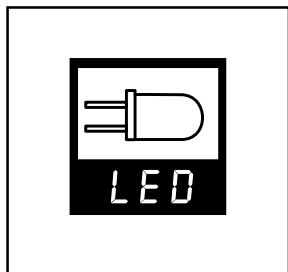


EDGRNY



Dimensions do not include mounting brackets.

KEY FEATURES



Unique LED lamp provides extremely long life and low energy consumption.