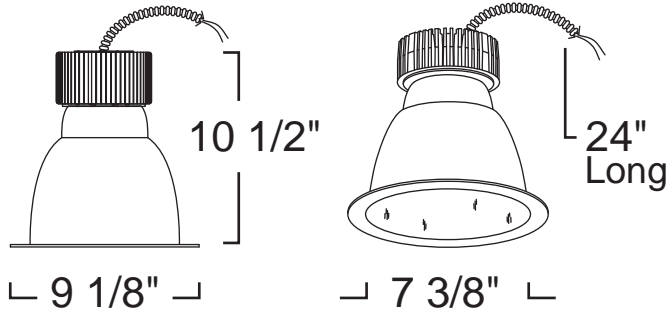


LRALD8 - 8" ARCHITECTURAL L.E.D. (2000 lumen LED) 8" LED RETROFIT



SPECIFICATION

120V/277V 25W L.E.D.

Ceiling cut-out: 8 1/8"

Application: Architectural-grade LED recessed downlight retrofit for low to high ceilings and commercial installations.

Retrofit Mounting: Designed for use with existing 8" Architectural Incandescent, Fluorescent and Metal Halide Housings like LITON Brand LVH8, LH800 and LHM800. Supplied with flexible metal conduit for connection to existing electrical junction box. Uses existing frame-in-kits mounting method via friction springs or clips (not supplied). Consult factory for special mounting methods.

Driver: 120V/277V AC 50/60Hz Electronic Direct Current Class 2 driver integrally mounted on thermally stabilized heat sink. Input current 0.50 Amps at 115VAC. Power Factor > 0.90 Operating Temperature: -30°C to +80°C. Accessible from above or below ceiling. Consult factory for compatible dimmers. See ordering guide for dimming options.

Insulation Contact: Non IC rated, must be kept 3" from insulation.

FEATURE(S):



Reflector Construction: One piece self-flanged design enables a clean trim finish, without the need for a secondary trim ring. Heavy-gauge aluminum reflector prevents ugly dents during shipping and installation. Low iridescence, anodized provides 50° visual cut-off for a glare free appearance. Held in place with 6 steel pressure springs housing frame.

Power Connection: LED lamp array is replaceable via on board quick disconnect terminal. Meets CA Title 24 requirements and other standards restricting the use of Medium Base or Bi-Pin sockets.

Color Temperature: LED Diodes comes standard in warm white 3,000K +/- 100K. Available in 2,700K, 4,000K, 5,000K as special order. Consult factory, extended lead times apply.

Thermal Management: Heat dissipation facilitated by exposed integral aluminum heat sink to maximize heat rejection in an open air environment. Recommended ambient temperature is below 35 degree celsius to achieve a minimum L70 life of 40,000 hours according to LM80 testing.

Warranty: Covered by a 5 Year Warranty to be free of defects in materials and craftsmanship. Fixture should not be installed in applications with ambient temperature above 35 degrees C. Doing so will result in reduced lamp life and voided warranty.

Trims: Available in Satin Haze Reflector/White Flanged and White Reflector/White Flanged.

Safety Labels: ETL/cETL listed. Suitable for dry, damp and wet locations. NYC approved: Calendar #41937.

*Energy Star Rating for 25W Only

ARCHITECTURAL RETROFIT REFLECTOR LRALD8

LRALD8	Reflector/Flange Finish	Options
LRALD8	SWF150-R25UE :Satin Reflector/White Flange	Blank :Non-Dimming
	WWF150-R25UE :White Reflector/White Flange	-D10 :0-10V 10% Dimming

► Ordering Example: LRALD8SWF150-R25UE-D10

8" LED Downlight Luminaire	LM79 Report File
Lamp: (1)LED	#L09111705
Total Rated Fixture Lumen :1550	By:
Total Luminaire Efficacy :53.44 Lm/W	Lighting Sciences Inc.
Luminous Diameter :6.125"	LRALD8

LED DETAILS

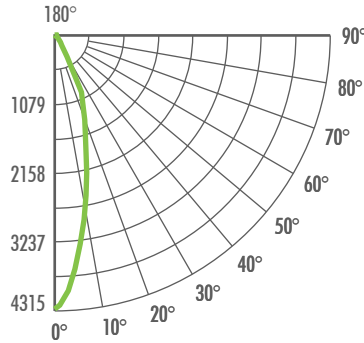
Light Source Specification

Color Rendering Index (CRI):	80+
Color Temperature:	3,050K
Estimated Life:	45,000 hr. L70
Lamp Equivalents:	150W PAR 38, 1x42W CFL, 2x26W CFL

INTENSITY (CANDLEPOWER) SUMMARY

IN 2.5 DEGREE STEPS

Angle	Luminance
0	4315.35
1	4257.24
3	4029.09
5	3695.49
7	3316.68
9	2942.18
11	2571.99
13	2221.17
15	1911.24
17	1661.57
19.5	1418.36
22.5	1164.39
25.5	990.06
29	391.72
33	195.86
37.5	139.90
42.5	83.94
47.5	62.42
55	43.05
65	25.83
75	17.22
85	12.91
90	0



ZONAL LUMENS SUMMARY

Zone	Lumens	% Luminaire
0 - 30	1252.65	81.2
0 - 40	1366.81	88.6
0 - 60	1468.41	95.2
0 - 90	1543.02	100
90 - 120	0	0
90 - 130	0	0
90 - 150	0	0
90 - 180	0	0
0 - 180	1543.02	100

MULTIPLIERS

REFLECTOR FINISHES

Satin Haze	1.0
White	0.9

ZONAL LUMEN SUMMARY

CD./SQ.M (FOOTLAMBERTS)

Zone	Luminance
0 - 10	270.79
10 - 20	564.10
20 - 30	417.76
30 - 40	114.16
40 - 50	67.80
50 - 60	33.80
60 - 70	32.67
70 - 80	22.15
80 - 90	19.78
90 - 100	0

LUMINANCE SUMMARY CD./SQ.M.

CD./SQ.M (FOOTLAMBERTS)

Angle	Mean CD/Sq. M.
45	5448
55	3951
65	3217
75	3502
85	7798