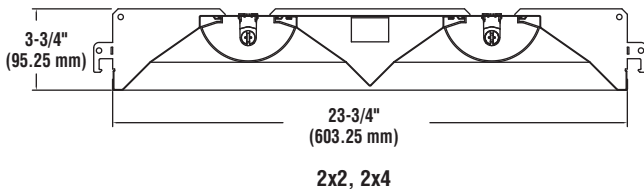
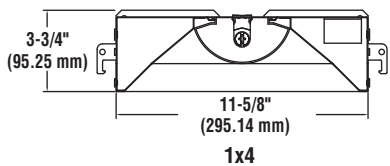


ASC

HIGH EFFICIENCY, EXPANSIVE CAVITY RECESSED



DIMENSIONS



PRODUCT HIGHLIGHTS

- Highest efficiency lensed fixture utilizing T5 or T8 lamps for significant energy savings
- Computer designed optimized sloped housing shape. Tool-less ballast access from below
- Frosted extruded acrylic lens with micro prisms for maximum lamp image diffusion and soft, even illumination
- 3-3/4" fixture depth - ideal for shallow plenum applications
- Specifically developed to spread uniform illumination from ceiling to floor cavity
- Designed for ease of maintenance
- Flange kit available
- Ideal for schools, hospitals, automobile dealerships, retail stores, and many commercial applications

CONSTRUCTION - Fixture housing, ends, and lamp holders are die formed 22 ga CRS. Integral grid clips.

ELECTRICAL - All devices UL/CUL listed. Suitable for damp locations. Damp location emergency pack must be specified separately. Ballasts are energy-saving, solid-state electronic. Ballasts and lampholders replaceable without removing fixture from ceiling.

FINISH - All metal parts are painted after fabrication, following treatment with phosphate rust inhibitor. Finish coating of painted reflecting housing surface is proprietary matte white polyester powder coat.

PHOTOMETRICS - Please visit our web site at www.lsi-industries.com for detailed photometric data.



ORDERING INFORMATION

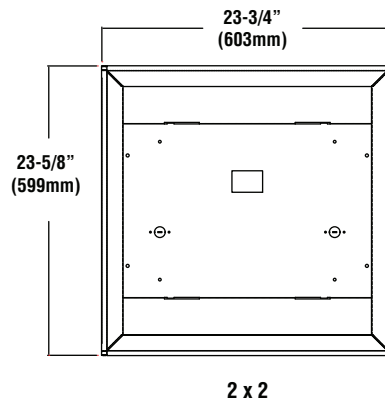
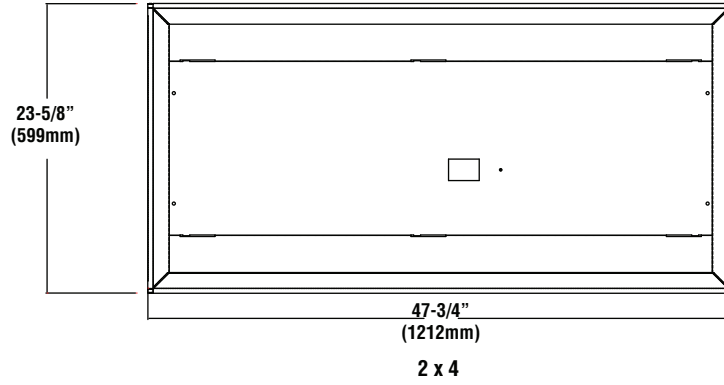
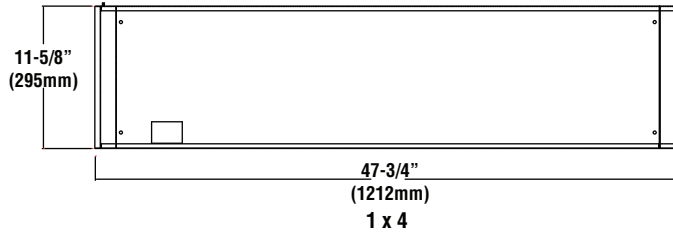
TYPICAL ORDER EXAMPLE: **ASC2 2 28 SS5R EM UE**

Prefix	Lamps	Lamp types	Ballasts	Options	Voltage
ASC1 (1x4)	1	32 - 32W T8 28 - 28W T5 54 - 54W T5 HO	SS010 - T8 Instant Start <10% THD SS0D - T8 Dimming (specify type) SSOL - T8 Low Watt SSOHL - T8 High Ballast Factor SSOHLR - T8 Program Start High Ballast Factor SSOR - T8 Programmed Start SS5R - T5 Programmed Start SS5HO - T5 HO Programmed Start SS5D - T5 Dimming (specify type) SS5DHO - T5 Dimming HO (specify type) SS5SD - T5 Programmed Step Dimming (specify type) SSB - Biax Instant Start SSBR - Biax Program Rapid Start	F - Fusing EM - Emergency Pack (specify type) FC1 - 6' 3/8" flex, 3 #18 leads (other types available) LM - Lamps Installed (specify type) NYC - 20 ga. housing EMDL - Emergency Pack - Damp Location JP - Job Pack 2 - 2 Ballasts for Separate Switching CPL - CCEA Chicago Approved ¹ CEE - CEE Approved Components installed	120 - 120V 277 - 277V 347 - 347V 480 - 480V UE - Universal Electronic (120-277V)
ASC2 (2x2)	2	17 - 17W T8 14 - 14W T5 24 - 24W T5 HO 28BX - Biax 28W 40BX - Biax 40W 50BX - Biax 50W 55BX - Biax 55W			
ASC2 (2x4)	2	32 - 32W T8 28 - 28W T5 54 - 54W T5 HO			

1- Available on T5 and T5HO models only

ASC

MOUNTING



04/19/10

Project Name _____ Fixture Type _____

Catalog # _____

© 2010
LSI INDUSTRIES INC.

lsi
Industries™
A Company with a Smart Vision