

# COOPER LIGHTING - LUMARK®

## DESCRIPTION

The Lumark Smokey combines contemporary design with a premium die-cast aluminum housing and sturdy injection-molded polycarbonate refractor, creating a fixture which is both durable and attractive. U.L. listed and CSA certified for wet locations. A choice of mounting options makes the Smokey the right choice for wall, pole or canopy mounted applications. The Smokey's compact design is perfect for office buildings, homes, townhouses, storage buildings and restaurants.

Catalog #		Type
Project		
Comments		Date
Prepared by		

## SPECIFICATION FEATURES

### Construction

**HOUSING:** Die-cast aluminum housing finished in architectural dark bronze polyester powder coat.  
**GASKETING:** Optical system is sealed with closed-cell, gas-filled, high temperature silicone gasketing.

### Optical

**REFRACTOR:** Injection-molded prismatic polycarbonate refractor is available in white or clear.

### Mounting

**MOUNTING OPTIONS:** Can be ceiling, wall or pole mounted in horizontal or vertical position. 1/2" knockouts on side of housing accommodate surface-mounted conduit, or back plate can be mounted to 4" octagonal J-box.



## VR SMOKEY

35 - 100W

Pulse Start Metal Halide

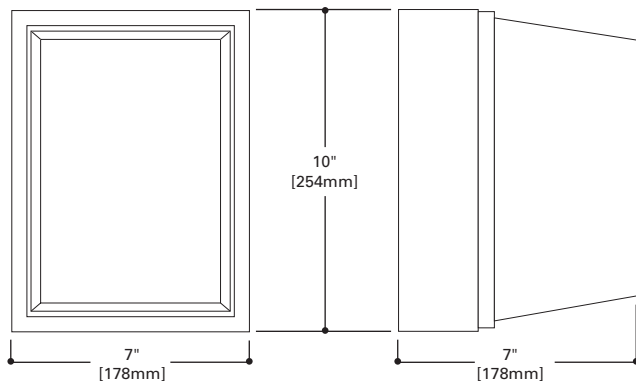
High Pressure Sodium

13 - 56W

Compact Fluorescent

COMPACT WALL MOUNT  
LUMINAIRE

## DIMENSIONS



LAMP TYPE	WATTAGE
Pulse Start Metal Halide (MP)	50, 70, 100W
High Pressure Sodium (HP)	35, 50, 70W
Compact Fluorescent (CF)	13, 26, (2) 26W

## TECHNICAL DATA

U.L. Wet Location Listed  
CSA Certified

## ENERGY DATA

### Reactor Ballast Input Watts

35W HPS NPF (46 Watts)  
 50W HPS NPF/HPF (58 Watts)  
 70W HPS NPF/HPF (82 Watts)  
 100W HPS NPF/HPF (118 Watts)

### High Reactance Ballast Input Watts

50W MP HPF (69 Watts)  
 70W MP HPF (94 Watts)  
 100W MP HPF (129 Watts)

### Compact Fluorescent Ballast Input Watts

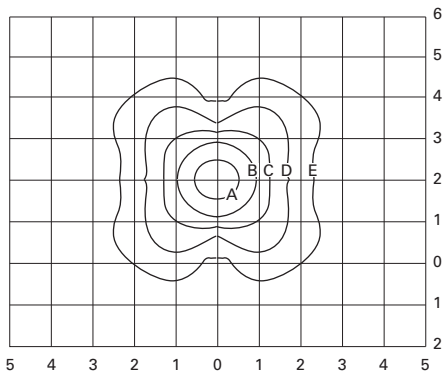
13W NPF (17 Watts)  
 26W HPF (29 Watts)  
 52W HPF (54 Watts)

## SHIPPING DATA

**Approximate Net Weight:**  
6 lbs. (3 kgs.)



**PHOTOMETRICS**



**Footcandle Table**

Select mounting height and read across for footcandle values of each isofootcandle line. Distance in units of mounting height.

Mounting Height	Footcandle Values for Isofootcandle Lines				
	A	B	C	D	E
15'	3.54	1.77	0.89	0.44	0.18
20'	2.00	1.00	0.50	0.25	0.10
25'	1.28	0.64	0.32	0.16	0.08

**HPVR-PC-100-120V-LL**

100-Watt High Pressure Sodium, Ceiling Mounted (0° Tilt)  
9,500-Lumen Clear Lamp

**ORDERING INFORMATION**

Sample Number: **MPVR-PC-70-MT-BLK**

<b>Lamp Type</b> MP=Pulse Start Metal Halide HP=High Pressure Sodium CF=Compact Fluorescent	<b>Reflector Type</b> PC=Clear Polycarbonate PW=White Polycarbonate <sup>1</sup>	<b>Lamp Wattage</b> <sup>2</sup> MP 50=50W <sup>3</sup> 70=70W 100=100W <sup>4</sup> HP 35=35W <sup>3, 4</sup> 50=50W <sup>3</sup> 70=70W CF 13=13W 26=26W 52=(2) 26W	<b>Voltage</b> <sup>5</sup> 120V=120V 208V=208V 240V=240V 277V=277V 347V=347V 480V=480V <sup>3</sup> MT=Multi-Tap, wired 277V TT=Triple-Tap, wired 347V E=Electronic <sup>6</sup> (120-277V)	<b>Options</b> LL=Lamp Included <sup>7</sup> TR=Tamper Resistant Screws F1=Single Fuse (120, 277 or 347V only) F2=Double Fuse (208, 240 or 480V only) PE=Internal Photocontrol (Specify Voltage)	<b>Accessories</b> <sup>8</sup> UB-U UNIVERSAL BKT=Universal Mounting Bracket WG/GP-GS=Wire Guard PE-347V=Field Installed Photocontrol, 347V PE-480V=Field Installed Photocontrol, 480V PE/MT=Field Installed Photocontrol TRSD-8/32=Tamper-Resistant Screwdriver HV/VR-XX=Horizontal Visor VV/VR=Vertical Visor
--	--	---	---	---	--

- Notes: 1 70W maximum.  
2 All HID lamps are medium-base.  
3 480V not available in 35 or 50W.  
4 120V Only.  
5 Products also available in non-US voltages and 50Hz for international markets.  
6 Electronic ballast available on 26W and 52W CF Units.  
7 Lamp is shipped separate from luminaire. Lamp is Cooper designated product based on luminaire requirements. Specified lamps must be ordered as a separate line item.  
8 Order separately, replace XX with color specification.

**STOCK SAMPLE NUMBER (LAMP INCLUDED)**

SAMPLE NUMBER: **BS10**

<b>B</b>	<b>S</b>	
<b>Series</b> B=Smokey	<b>Lamp Type</b> S=High Pressure Sodium	<b>Lamp Wattage</b> 50=50W 70=70W 10=100W

VOLTAGE CHART	
MT=Multi-Tap	120/208/240/277V (wired 277V)
TT=Triple-Tap	120/277/347V (wired 347V)
E=Electronic	120-277V

NOTES: Options not available with stock products.  
Order Accessories as separate items for field installation.  
Refer to standard ordering information to add options and accessories. Refer to In-Stock Guide for availability.