

DESCRIPTION

The Lumark Nighthawk III utilizes a soft-cornered aerodynamic design to provide excellent EPA ratings and an aesthetically pleasing appearance. Dark bronze polyester powder coat finish assures corrosion resistance and long-lasting aesthetics. U.L. listed and CSA certified for wet locations. The Nighthawk III uses an innovative die-cut optical design which delivers maximum beam control for storage areas, rail yards, loading docks and building perimeters.

| | | |
|-------------|--|------|
| Catalog # | | Type |
| Project | | |
| Comments | | Date |
| Prepared by | | |

SPECIFICATION FEATURES

Construction

LATCHES: Formed aluminum flush draw-action latches offer easy access to lamp compartment without tools and maintain integrity of seal when closed.
HOUSING: Aerodynamically designed die-cast aluminum housing has low EPA rating.
DOOR: Die-cast aluminum with integral cast hinges for removal without tools.
GASKET: Door gasket is foam-in-place silicone, providing maximum protection of interior components from the elements.

Electrical

BALLAST: Ballast components are hard mounted to fixture housing for maximum heat dissipation and extended component and lamp life.

Optical

LENS: Heat- and impact-resistant tempered glass. Lens is mounted flush with door surface to reduce wind drag and prevent dirt or moisture from accumulating.
REFLECTOR: Computer designed die-cut reflector system delivers superior beam control and efficiency.

Mounting

Slipfitter: Die-cast aluminum integral slipfitter mounts on nominal 2 3/8" or 3" O.D. tenons. A degree-marked quadrant is cast in for easy and accurate aiming.
Yoke: Heavy-duty steel yoke provides flexibility in mounting from a variety of surfaces.
Trunnion: Die-formed steel trunnion is easily adapted to many areas and allows easy fixture aiming.



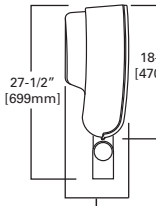
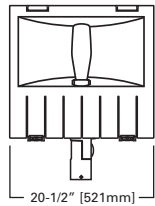
NK NIGHTHAWK III

150 - 1000W
 Pulse Start Metal Halide
 Metal Halide
 High Pressure Sodium

SLIPFITTER-, YOKE-, TRUNNION-MOUNT FLOODLIGHT

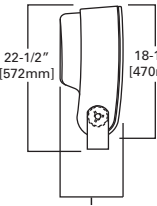
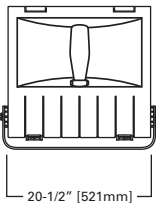
DIMENSIONS

SLIPFITTER-MOUNT



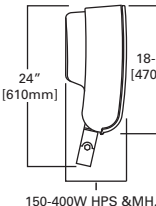
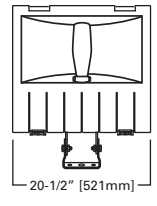
150-400W HPS & MH,
 1000W HPS
 9-1/2" [241mm]
 1000W MH
 10-1/2" [267mm]

YOKE-MOUNT



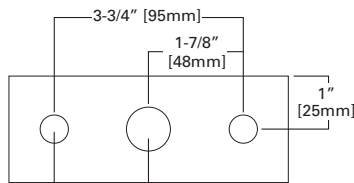
150-400W HPS & MH,
 1000W HPS
 9-1/2" [241mm]
 1000W MH
 10-1/2" [267mm]

TRUNNION-MOUNT



150-400W HPS & MH,
 1000W HPS
 9-1/2" [241mm]
 1000W MH
 10-1/2" [267mm]

DRILLING PATTERN FOR YOKE- AND TRUNNION-MOUNT



9/16" [14mm] dia. hole (2)
 7/8" [22mm] dia. hole

| LAMP TYPE | WATTAGE |
|-------------------------------|-------------------------------------|
| Pulse Start Metal Halide (MP) | 150, 250, 320, 400, 450, 750, 1000W |
| Metal Halide (MH) | 175, 250, 400, 750, 1000W |
| High Pressure Sodium (HP) | 150, 250, 400, 600, 750, 1000W |

TECHNICAL DATA

U.L. Wet Location Listed
 CSA Certified
 EISA Compliant ©

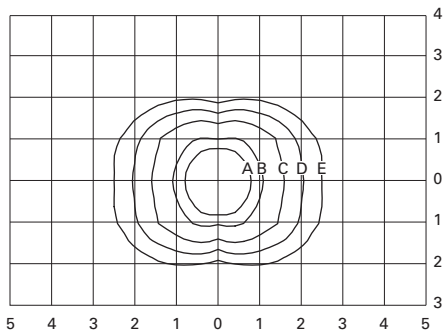
EPA

Effective Projected Area: 2.7

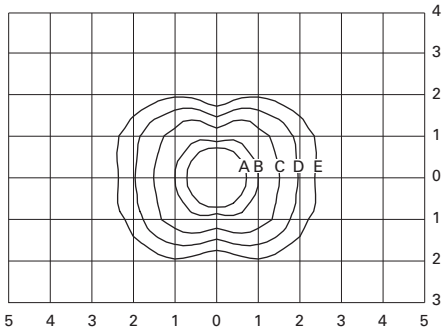
SHIPPING DATA

Approximate Net Weight:
 59 lbs. (27 kgs.)

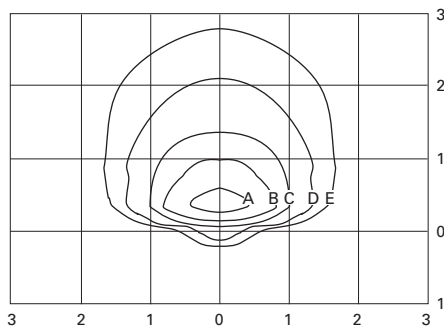
PHOTOMETRICS



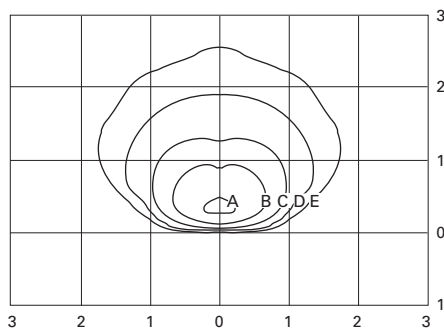
HPNK-X76-400
400-Watt HP
50,000-Lumen Clear Lamp



MPNK-X76-400
400-Watt MP
42,000-Lumen Clear Lamp



HPNK-X76-1000
1000-Watt HP
140,000-Lumen Clear Lamp



MHNK-X76-1000
1000-Watt MH
110,000-Lumen Clear Lamp

Footcandle Table

Select mounting height and read across for footcandle values of each isofootcandle line. Distance in units of mounting height.

| Mounting Height | Footcandle Values for Isofootcandle Lines | | | | |
|-----------------|---|------|------|------|------|
| | A | B | C | D | E |
| 400W | | | | | |
| 20' | 10.00 | 5.00 | 2.00 | 1.00 | 0.50 |
| 25' | 6.40 | 3.20 | 1.28 | 0.64 | 0.32 |
| 30' | 4.44 | 2.22 | 0.89 | 0.44 | 0.22 |
| 35' | 3.27 | 1.63 | 0.65 | 0.33 | 0.16 |
| 40' | 2.50 | 1.25 | 0.50 | 0.25 | 0.13 |

1000W

| | | | | | |
|-----|-------|-------|------|------|------|
| 30' | 20.00 | 10.00 | 5.00 | 2.00 | 1.00 |
| 35' | 14.69 | 7.35 | 3.67 | 1.47 | 0.73 |
| 40' | 11.25 | 5.63 | 2.81 | 1.13 | 0.56 |
| 45' | 8.89 | 4.44 | 2.22 | 0.89 | 0.44 |
| 50' | 7.20 | 3.60 | 1.80 | 0.72 | 0.36 |

EPA Ratings:

| Fixture Angle | Wind Direction (sq. ft.) | |
|---------------------|--------------------------|------|
| | Front | Side |
| 45° from Horizontal | 2.7 | 1.2 |
| 90° from Horizontal | 4.2 | 1.2 |
| 0° from Horizontal | 1.1 | 1.2 |

ORDERING INFORMATION

Sample Number: MPNK-S76-400-277V



Lamp Type

MP=Pulse Start Metal Halide
MH=Metal Halide¹
HP=High Pressure Sodium

Series

NK= Nighthawk III

Mounting

S=Slipfitter
T=Trunnion
Y=Yoke

Distribution

76: 7H x 6V Beam Spread

Lamp Wattage ¹

MP
150=150W
250=250W
320=320W
400=400W
450= 450W
750= 750W
1000= 1000W
MH
175= 175W¹
250= 250W¹
400= 400W¹
750= 750W
1000= 1000W
HP
150= 150W
250= 250W
400= 400W
600= 600W
750= 750W
1000= 1000W

Voltage ²

120V=120V
208V=208V
240V=240V
277V=277V
347V= 347V³
480V= 480V
MT= Multi-Tap, wired 277V
TT= Triple-Tap,³ wired 347V

Options ⁴

F1=Single Fuse (120, 277 or 347V only)
F2=Double Fuse (208, 240 or 480V only)
Q=Quartz Restrike (Hot Strike Only)
EM=Quartz Restrike with "Delay Relay" (Quartz lamp strikes at both hot and cold starts)
LL: Lamp Included⁶
PER= NEMA Twistlock Photocontrol Receptacle
PC= Button Type Photocontrol⁷
T= Removable Quick-Disconnect⁵ Power Tray

Standard Color

_= Bronze (Standard)
BLK= Black
GRY= Grey
WHT= White

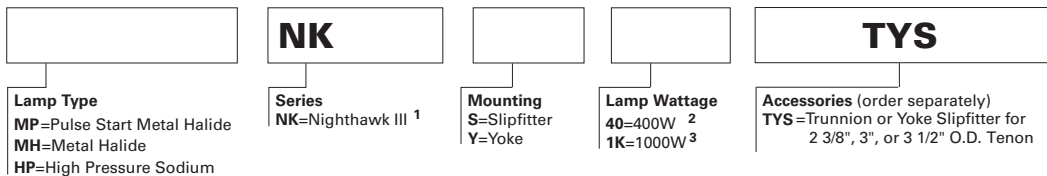
Accessories ⁸

TYS-XX=Trunnion or Yoke Slipfitter for 2 3/8", 3", or 3 1/2" ⁹ O.D. Tenon
VS/NK=Vandal Shield for 150 - 320W
WG/NK=Wire Guard
VS/NK/1000=Vandal Shield for 400 - 1000W Units
OA/RA1016= Photoelectric Control, 105-285 Volt NEMA Type
OA/RA1201= Photoelectric Control, 347V NEMA Type
OA/RA1027= Photoelectric Control, 480V NEMA Type
OA1028= Field Installed NEMA Twistlock Photocontrol Receptacle (Order Photocontrol Separately)
TV/NK-XX= Top or Bottom Visor
SV1/NK-XX= Single Side Visor
SV/NK-XX= Double Side Visor
OA/RA1013= Shorting Cap

- Notes:**
- 1 175W, 250W, and 400W MH available in non-U.S. markets only.
 - 2 Products also available in non-US voltages and 50HZ for international markets.
 - 3 88% efficient EISA Compliant fixtures not available in 347V or TT Voltages. TT not available with 750W HPS - Specify Voltage.
 - 4 Add as suffix in the order shown.
 - 5 Not available in 1000W.
 - 6 Lamp is shipped separate from luminaire. Lamp is Cooper designated product based on luminaire requirements. Specified lamps must be ordered as a separate line item.
 - 7 PC option not available with trunnion or yoke mount.
 - 8 Order separately, replace XX with color designation.
 - 9 Not available with slipfitter-mount.

STOCK SAMPLE NUMBER: (LAMP INCLUDED)

SAMPLE NUMBER: MPNKS40



Lamp Type
MP=Pulse Start Metal Halide
MH=Metal Halide
HP=High Pressure Sodium

Series
NK=Nighthawk III ¹

Mounting
S=Slipfitter
Y=Yoke

Lamp Wattage
40=400W ²
1K=1000W ³

Accessories (order separately)
TYS=Trunnion or Yoke Slipfitter for 2 3/8", 3", or 3 1/2" O.D. Tenon

NOTES [stock]:

- 1 Multi-tap ballast, 7Hx6V beam spread, bronze finish, and lamp are standard for stock product.
 - 2 400W available in MP only.
 - 3 1K available in MH and HPS only.
- Refer to In Stock Guide for availability.

VOLTAGE CHART

MT=Multi-Tap 120/208/240/277V (wired 277V)

TT=Triple-Tap 120/277/347V (wired 347V)