

DESCRIPTION

The Lumark Quadra-Lume is perfect for applications which call for reliable, affordable illumination with minimal maintenance. Quadra-Lume is designed for easy installation on main T-bars or can be hung by wires in lay-in ceilings with 2' x 2' tiles. U.L. listed and CSA certified.

The Quadra-Lume provides minimum surface brightness, excellent uniformity and gentle diffusion. It is ideal for use in department stores, banks, auto showrooms, schools, libraries, office buildings and auditoriums.

Catalog #		Type
Project		
Comments		Date
Prepared by		

SPECIFICATION FEATURES

Construction

HOUSING: Die-formed, heavy-duty housing is made of cold-rolled steel and finished in highly reflective white polyester powder coat. Stamped steel ballast mounting bracket is integral part of housing.

DOOR FRAME: Die-formed, heavy-gauge steel frame can be hinged and latched from either side. Stamped steel retaining clips assure flush fit of lens with frame.

Optics

REFLECTOR: Die-formed steel reflector has removable panels for easy ballast access from below.
LENS: Nine- or 16-cell, 4" deep, regressed Silver louvers.

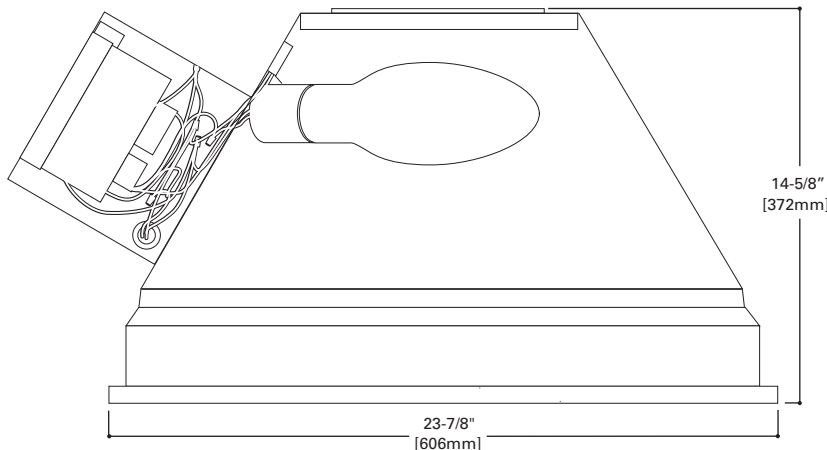


QP QUADRA-LUME

High Pressure Sodium
Pulse Start Metal Halide
Metal Halide

RECESSED COMMERCIAL

DIMENSIONS



ENERGY DATA

High Reactance Ballast Input Watts

150W HPS HPF (190 Watts)
150W MH HPF (210 Watts)

CWI Ballast Input Watts

175W MH HPF (223 Watts)
250W HPS HPF (300 Watts)
250W MH HPF (300 Watts)
400W HPS HPF (465 Watts)
400W MH HPF (475 Watts)

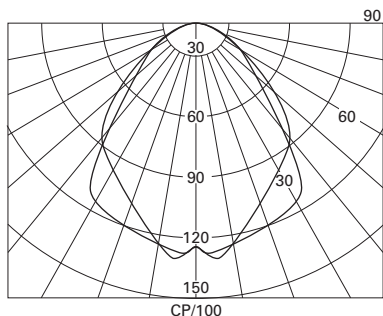
CWA Ballast Input Watts

175W MP HPF (198 Watts) @
200W MP HPF (227 Watts) @
250W MP HPF (283 Watts) @
320W MP HPF (365 Watts) @
350W MP HPF (400 Watts) @
400W MP HPF (452 Watts) @
400W HPS HPF (465 Watts)

SHIPPING DATA

Approximate Net Weight:
49 lbs. (22 kgs.)

PHOTOMETRICS



MHQP-S4/9/GL-400
400-Watt Metal Halide
40,000-Lumen Coated Lamp

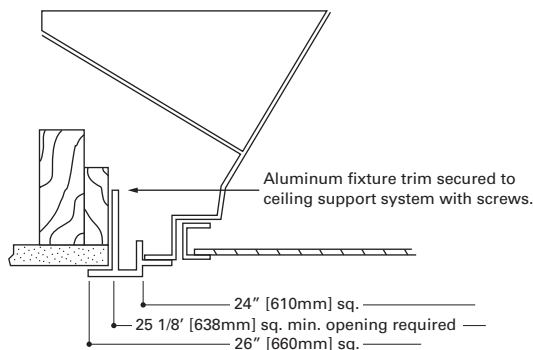
Coefficients Of Utilization

Effective floor cavity reflectance	20%						50%				30%	
	80%			70%			50%		30%			
rc	70	50	30	70	50	30	50	30	50	30		
rw	70	50	30	70	50	30	50	30	50	30		
RCR												
0	70	70	70	68	68	68	65	65	62	62		
1	66	64	62	64	62	61	60	59	58	57		
2	61	58	54	60	56	54	54	52	53	51		
3	57	52	48	56	51	48	50	47	48	46		
4	53	47	43	52	46	43	45	42	44	41		
5	49	43	39	48	42	38	41	38	40	37		
6	46	39	35	45	39	34	38	34	37	33		
7	43	36	32	42	36	31	35	31	34	30		
8	40	33	29	39	33	29	32	28	31	28		
9	38	31	26	37	30	26	30	26	29	26		
10	35	28	24	35	28	24	28	24	27	24		

Candlepower Degree	CP
0	12867
5	12908
15	12132
25	10828
35	9166
45	6296
55	2723
65	566
75	103
85	2

FLUSH MOUNTING TRIM (FTB, FTW, FTA)

Heavy-gauge extruded aluminum combination fixture trim and plaster frame. Neatly finishes out any 2' x 2' recessed installation.



ORDERING INFORMATION

Sample Number: MHQP-S4/9/GL-400-120V-Q



Lamp Type⁸
MP=Pulse Start Metal Halide¹
MH=Metal Halide^{1,2}
HP=High Pressure Sodium
Series
QP=Quadra-Lume w/ Specular Louvers

Louver Color
S4=Silver Louver, 4" Deep
Louver Size
/9=Nine-Cell Louver
/9/GL=Nine-Cell Louver w/ Glass Overlay
/16=16-Cell Louver
/16/GL=16-Cell Louver w/ Glass Overlay

Lamp Wattage³
MP
70=70W
100=100W
175=175W
200=200W
250=250W
320=320W
350=350W
400=400W
MH²
175=175W
250=250W
400=400W
HP
70=70W
100=100W
150=150W
250=250W
400=400W

Voltage⁴
120V
208V
240V
277V
347V
480V

Options
OR=Open Rated Socket For Metal Halide Lamps
QB=Quiet Ballast⁵
F1=Single Fuse (120, 277 or 347V only)
F2=Double Fuse (208, 240 or 480V only)
SCF=3' Aircraft Safety Cable secures Housing to Ceiling (Alternative lengths available. Example: SCF6 = 6' Cable)
Q=Quartz Restrike (Hot Strike Only)⁶
EM=Quartz Restrike with "Delay Relay"^{6,7} (Quartz lamp strikes at both hot and cold starts)
EM/SG=Emergency Separate Circuit
BDF=Black Door Frame
G2= Double Gasketing Doors (Door to Lens, Lens to Door)
VL= Vertical Lamp⁹
HC= LumaWatt Fixture Control Module^{10,11} (Low voltage leads pulled out of top connection box for areas requiring all wiring to be installed in conduit)
HL= LumaWatt Fixture Control Module^{10,11} (Allows low voltage control wire to be daisy-chained between fixtures outside AC conduit run similar to low voltage intercom's, fire alarms and phone systems)
DL= UL Labeled for Damp Locations

Accessories¹²
WGQF=Wire Guard¹³
FTA=Flush Drywall Frame Kit, Natural Anodized Aluminum
FTB=Flush Drywall Frame Kit, Black
FTW=Flush Drywall Frame Kit, White

Notes:

- Fixtures with Metal Halide lamps MUST have glass overlay (GL).
- MH available in non-U.S. markets only.
- All lamps are mogul-base except 150W Metal Halide and below are medium-base. Lamp not included.
- Products also available in non-US voltages and 50HZ for international markets.
- 120/277V MH only.
- Q and EM - 150W max.
- Not available with HC or HL.
- Lamp is shipped separate from luminaire. Lamp is Cooper designated product based on luminaire requirements. Specified lamps must be ordered as a separate line item.
- Adds 3-1/4" to overall fixture height.
- Requires vertical lamp option (VL).
- Not available with EM or EM/SC.
- Order separately.
- Not available with FTA, FTB or FTW.