

DESCRIPTION

The Lumark Wal-Pak Series of wall luminaires provides traditional architectural style with high performance energy efficient illumination. Rugged die-cast aluminum construction, stainless steel hardware along with a sealed and gasketed optical compartment make the Wal-Pak virtually impenetrable to contaminants. IP65 Rated. Six available lamp sources including patent pending energy efficient LED, pulse start metal halide, compact fluorescent, ceramic metal halide, standard metal halide and high pressure sodium. UL and cUL wet location listed. The Wal-Pak wall luminaire is ideal for pathway illumination, building entrances, vehicle ramps, schools, tunnels, stairways and loading docks.

SPECIFICATION FEATURES

Housing

Rugged one-piece die-cast aluminum housing and hinged, removable die-cast aluminum door. One-piece silicone gasket seals the optical chamber. UL 1598 wet location listed and IP65 ingress protection rated. Not recommended for car wash applications.

Electrical

Ballasts, LED driver and related electrical components are hard mounted to the die-cast housing for optimal heat sinking and operating efficiency. Wiring is extended through a silicone gasket at the back of the housing. Three 1/2" threaded conduit entry points allow for thru-branch wiring. LED thermal management system incorporates both conduction and natural convection to transfer heat rapidly away from LED source. Integral LED electronic driver incorporates internal fusing designed to withstand a 3kV surge test and is Class 2 rated for 120-277V with an operating temperature of -30° to 60°C. Wal-

Pak LED systems maintain greater than 70% of the initial light output after 50,000 hours of operation. UL listed HID high power factor ballasts are Class H insulation rated (metal halide: 150, 175, 200, 250, 320, 350, 400W [-30°C / -20°F], (high pressure sodium: 50, 70, 100, 150, 250, 400W [-40°C / -40°F]. High efficiency HID ballasts are available in 120V, 208V, 240V, 277V, 347V and 480V. Compact fluorescent high power factor ballasts are Class P insulation rated for 120-277V and have a starting temperature of -18°C / 0°F.

Optical

Highly reflective anodized aluminum reflectors provide high efficiency illumination. Optical assemblies include impact resistant borosilicate refractive glass, Solite™ flat diamond patterned glass and full cutoff IESNA compliant configurations. Patent pending, solid state LED luminaires are thermally optimized with 2400 or 4000 lumen package modules. HID models are offered in horizontal medium or mogul-based

Catalog #		Type
Project		
Comments		Date
Prepared by		

metal halide [MH / MP] or high pressure sodium [HP] lamps. T6 ceramic metal halide [CM] and 4-pin compact fluorescent [CF] lamp models offer high efficiency energy saving illumination.

Door Assembly

Single point, captive stainless steel hardware secures the removable hinged door allowing for ease of installation and maintenance. Door assembly is hinged at the bottom for easy removal, installation and re-lamping.

Finish

Housing and door are protected with 5-stage TGIC dark bronze polyester powder coat paint. Premium TGIC power coat finishes withstand extreme climate changes while providing optimal color and gloss retention. Optional premium colors are available.



WP WAL-PAK

2400 - 4000 Lumen LED

39 - 400W

High Pressure Sodium

Pulse Start Metal Halide

Metal Halide

Ceramic Metal Halide

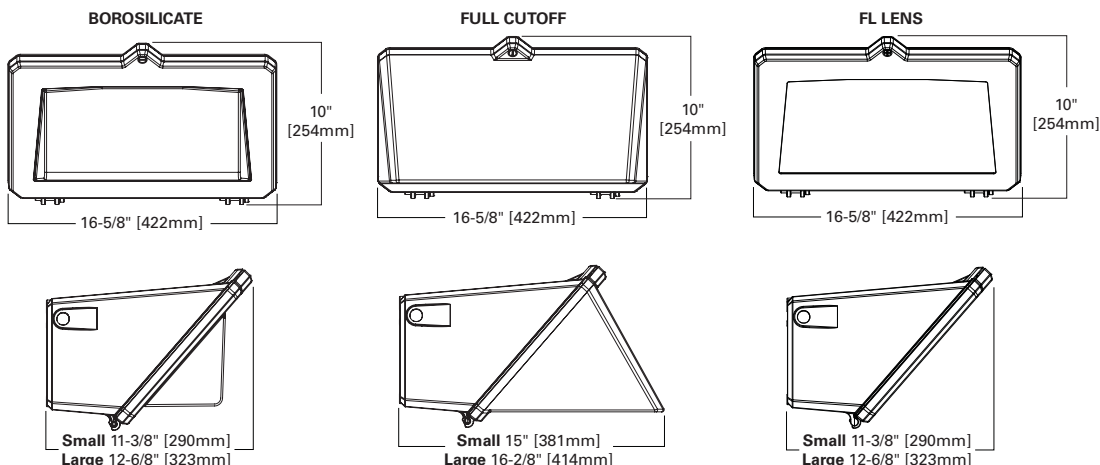
32 - 140W

Compact Fluorescent



WALL MOUNT LUMINAIRE

DIMENSIONS



TECHNICAL DATA

UL and cUL Wet Location Listed
 IP65 Rated
 40°C Maximum Ambient Temperature
 External Supply Wiring 90°C Minimum
 EISA @, ARRA, Title 20 Compliant
 LM79 / LM80 Compliant

ENERGY DATA

Reactor Ballast Input Watts

50W HPS NPF (58 Watts)
 70W HPS NPF (82 Watts)
 100W HPS NPF (118 Watts)
 150W HPS NPF (175 Watts)

High Reactance Ballast Input Watts

50W MP HPF (69 Watts)
 70W MP HPF (94 Watts)
 100W MP HPF (129 Watts)
 150W MP HPF (185 Watts)

CWA Ballast Input Watts

200W HPS HPF (250 Watts)
 200W MP HPF (227 Watts) @
 250W MP HPF (283 Watts) @
 320W MP HPF (365 Watts)
 350W MP HPF (400 Watts) @
 400W HPS HPF (465 Watts)
 400W MP HPF (452 Watts) @

SHIPPING DATA

Approximate Net Weight:

32-42 lbs. (15-19 kgs.) ADH092103 pc
 2010-11-03 17:10:12

ORDERING INFORMATION

Sample Number: MPWP-GL-250-MT-2EM/SC/MR



Lamp Type

- MP**=Pulse Start Metal Halide
- HP**=High Pressure Sodium
- LD**=Solid State Light Emitting Diodes (LED)
- CF**=Compact Fluorescent ¹
- CM**=Ceramic Metal Halide ²
- MH**=Metal Halide ³

Series

WP=Wal-Pak

Door Type ⁴

- GL**=Borosilicate Glass Door
- FC**= Full Cutoff Door
- FL**= Flat Solite Glass Door
- PL**=Polycarb Refractor Door

Lamp Wattage ⁵

- LED**
- 2A**=(2400 Initial Lumens)
- 4A**=(4000 Initial Lumens)
- MP**
- 50**=50W
- 70**=70W
- 100**=100W
- 150**=150W
- 200**=200W
- 250**=250W
- 320**=320W
- 350**=350W
- 400**=400W
- MH**
- 175**=175W
- 250**=250W
- 400**=400W
- HP**
- 50**=50W
- 70**=70W
- 100**=100W
- 150**=150W
- 250**=250W
- 400**=400W
- CM**
- 39**=39W
- 70**=70W
- 100**=100W
- 150**=150W
- CF**
- 32**=32W
- 42**=42W
- 57**=57W
- 70**=70W
- 64**=(2-32)
- 84**=(2-42)
- 114**=(2-57)
- 140**=(2-70)

Voltage ⁶

- 120V**=120V
- 208V**=208V
- 240V**=240V
- 277V**=277V
- 347V**=347V ⁷
- 480V**=480V
- DT**=Dual-Tap
- MT**=Multi-Tap
- TT**=Tri-Tap
- 5T**=5-Tap
- E**= Electronic Ballast ⁸
- ED**=Electronic LED Driver

Options ⁹

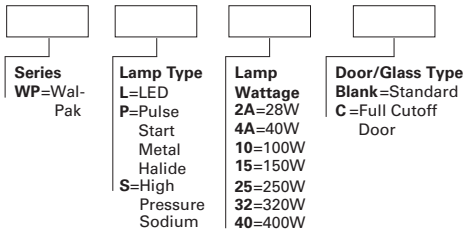
- F1**=Single fuse ¹⁰
- F2**=Double fuse ¹⁰
- PE**=Photocontrol button ¹⁰
- LL**=Includes lamp ²
- BK**=Black housing
- WH**=White housing
- GM**=Graphite Metallic housing
- AP**=Grey housing
- DP**=Dark Platinum housing
- DIMA**=CF Dimming Ballast ¹¹
- DIMB**=CF Dimming Ballast ¹¹
- SGL**=Solite Glass Lens ¹²
- Q**=Quartz Restrike T4 Lamp ¹³
- EM**=Emergency Quartz Restrike T4 Lamp with Time Delay Relay ¹³
- EM/SC**=Emergency Separate Circuit T4 Lamp ¹³
- QMR**=Emergency Back-Up 1-MR16 Lamp ^{14,15}
- 2QMR**=Emergency Back-Up 2-MR16 Lamps ^{14,15}
- 2QMR/SC**=Emergency Back-Up MR16 and EM separate circuit 2-MR16 Lamp ^{14,16}
- EMMR**=Emergency Back-Up 1-MR16 Lamp with Time Delay Relay ^{14,15}
- 2EMMR**=Emergency Back-Up 2-MR16 Lamps with Time Delay Relay ^{14,15}
- 2EMMR/SC**=Emergency Back-Up 1-MR16 Lamp with Time Delay Relay and EM Separate Circuit ^{14,15,16}
- EM/SC/MR**=Emergency Back-Up Separate Circuit 1-MR16 Lamp ^{14,15,16}
- 2EM/SC/MR**=Emergency Back-Up Separate Circuit 2-MR16 Lamps ^{14,15,16}
- EM/SC/12V**=Emergency Separate Circuit 12V 1-MR16 Lamp ^{14,16,17}
- 2EM/SC/12V**=Emergency Separate Circuit 12V 2-MR16 Lamps ^{14,16,17}
- EMI40**=Emergency Cold Temperature UL 924 CF Power Pack 1 Lamp ¹⁸
- EMI40/2L**=Emergency Cold Temperature UL 924 CF Power Pack 2 Lamp ¹⁸
- CF-EM**=Emergency UL924 CF Power Pack 1 Lamp ¹⁹
- CF-EM/2L**=Emergency UL924 CF Power Pack 2 Lamp ¹⁹
- EMLED-CD**=LED Battery Back-Up Cold Temperature ²⁰

Accessories ²¹

- WG/WPGL**=Wire Guard Borosilicate Glass Lens Door
- WG/WPFC**=Wire Guard Full Cutoff Door
- WG/WPFL**=Wire Guard FL Lens Door
- TR/WP**=Tamper Resistant Screw and Bit
- VS/WPGL**=Polycarbonate Vandal Shield for Borosilicate Glass Lens Door

STOCK SAMPLE NUMBER - LAMP INCLUDED

SAMPLE NUMBER: WPP40C



Series

WP=Wal-Pak

Lamp Type

- L**=LED
- P**=Pulse Start Metal Halide
- S**=High Pressure Sodium

Lamp Wattage

- 2A**=28W
- 4A**=40W
- 10**=100W
- 15**=150W
- 25**=250W
- 32**=320W
- 40**=400W

Door/Glass Type

- Blank**=Standard Door
- C**=Full Cutoff Door

NOTES: Options not available with stock products. Refer to standard order information to add options. MT is standard. Lamp Type: MP not available in 100W. HPS not available in 320W. Borosilicate glass door is standard. 2A and 4A models available in LED only. LED models are 120-277V.

BUG RATING	B	U	G	B	U	G
Borosilicate Glass Door (GL)						
LDWP-GL-2A-ED	0	3	2	Flat Lens Door (FL)		
LDWP-GL-4A-ED	1	3	2	LDWP-FL-2A-ED	0	2
				LDWP-FL-4A-ED	0	3
Polycarbonate Lens (PL)				Full Cutoff Door (FC)		
LDWP-PL-2A-ED	0	3	2	LDWP-FC-2A-ED	0	1
LDWP-PL-4A-ED	1	3	2	LDWP-FC-4A-ED	0	1

For more information on the IES BUG (Backlight-Uplight-Glare) Rating visit www.iesna.org/PDF/Erratas/TM-15-07BugRatingsAddendum.pdf

- NOTES:** 1 CF Single lamp offered in all door configurations. CF dual lamp models not offered with FL door type. 70W models not available with EMI40-2L, CF-EM, CF-EM-2L. CF not available in 347V.
- 2 All CM models offered with T6 envelope G12 lamp base. T6 Lamp included with CM models. Order LL with CM models. Ceramic Metal Halide (CM) is available with (MP) pulse start metal halide or E - Electronic Ballast. 400W MP must be ordered with LL option to be Title 20 Compliant.
- 3 MH products available for non-US markets only.
- 4 Small housing offered for 175W and below, CF and LD models. Large housing for 200W-400W. FL door not available with CF or 200-400W models. Polycarbonate lens available in models up to 175W max including LD. Polycarbonate lens not available with full cutoff door or FL models. Solite stipple glass is standard for FL lens. Clear glass is standard for full cutoff door types except for LD. LD full cutoff door is standard with solite glass.
- 5 LD nominal initial lumens prior to optical and configuration losses based on 67 CRI/5000K package at 25°C ambient. MH and MP 175W and below are medium base all others are mogul base. CF 64, 84, 114 and 140 models are offered in borosilicate glass and full cutoff doors only. In cold temperatures, compact fluorescent lamps produce lower illumination levels. CF 140 models and 400W HPS rated for 25°C.
- 6 See Voltage Chart for descriptions. 5T available in 400W MH models only. 90°C Rated wire required for thru-branch wiring for units 175W and lower. 105°C Rated wire required for thru-branch wiring for units 200W and higher. Thru-branch wiring is rated for 40°C for LD and 175W and below. Higher wattage thru-branch wiring is rated for use in 25°C ambient operating environments.
- 7 347V not available with thru-branch wiring. For 347 or 480V LD specify voltage. ED will be supplied with integral step down transformer. 347V not available with CF lamps.
- 8 Available with 70-150W MP or CM lamps. E is standard for all CF models. All electronic ballasts are universal 120-277V.
- 9 Not all options can be combined. Only one emergency or battery back-up option available within the fixture. CF Models utilize EMI40, EMI40/2L, CF/EM or CF-EM/2L option for emergency egress. LD Models utilize EM-LED or EMLED-CD options only for battery back-up.
- 10 Must specify voltage. F1=120, 277 or 347V. F2=208, 240 or 480V. PE=120, 208, 240 or 277V.
- 11 DIMA dimming ballast, specify number of lamps, available for 1 or 2-26W or 1-32W, 1-42W. DIMB available for 2-42W, 1-57W or 1-70W.
- 12 SGL optional on HID and CF models only. See note number 4.
- 13 Q or EM not available with LD or E electronic ballast. Q or EM Minimum HID wattage is 70 watts. EM/SC available in 120V only, EM/SC not available with LD. Maximum 100W 120V T4 DC Bayonet Quartz lamp. Lamp supplied by others.
- 14 QMR, 2QMR, EMMR, 2EMMR & 2EMMR/SC not available with LD or E electronic ballast. Minimum HID wattage is 70 watts.
- 15 1 or 2 GU10 base 50W max - 120V Halogen. Lamps supplied by others. EM/SC/MR, 2EM/SC/MR, EM/SC/12V, 2EM/SC/12V not available with LD.
- 16 Emergency lamp leads out of the back of the unit to auxiliary power. Lamps independently wired to separate circuits.
- 17 Low Voltage 1 or 2 GU5.3 MR16 base, 12V DC, 35W max. Lamps supplied by others.
- 18 For use in 25°C ambient operating temperature environments. EMI40, EMI40/2L used for CF lamps. Specify 120 or 277V. EMI40 supports 1-70W CF max, EMI40/2L supports 2-32W CF max. Minimum -18°C/-4°F.
- 19 For use in 25°C ambient operating temperature environments. Specify 120 or 277V. CF-EM supports up to 1-57W CF. CF-EM/2L supports 2-18W CF. 18W lamps supplied by others. Minimum temperature is 0°F/32°C.
- 20 EMLED-CD available with 4A models only. For use in 25°C ambient operating temperature environments. Specify 120 or 277V. EMLED-CD minimum -20°C/-4°F. Battery pack is a UL recognized component.
- 21 Order separately.

VOLTAGE CHART	
DT=Dual-Tap	120/277 (wired 277V)
MT=Multi-Tap	120/208/240/277 (wired 277V)
TT=Tri-Tap	120/277/347 (wired 347V)
5T=5 Tap	120/208/240/277/480 (wired 480V)
E=Electronic Ballast	120-277V (Universal) (50/60 HZ)
ED=Electronic LED Driver	120-277V (Universal) (50/60 HZ)

LAMP TYPE	WATTAGE
Pulse Start Metal Halide	50, 70, 100, 150, 200, 250, 320, 350, 400W
Metal Halide	175, 250, 400W
High Pressure Sodium	50, 70, 100, 150, 250, 400W
T6 Ceramic Metal Halide	39, 70, 100, 150W
Compact Fluorescent	(1) 32, (1) 42, (1) 57, (1) 70, (2) 32, (2) 42, (2) 57, (2) 70
LED	2A (2400 Initial Lumens), 4A (4000 Initial Lumens)