

Client: _____

Project name: _____

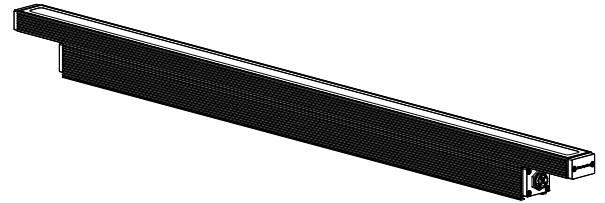
Order #: _____

Type: _____ Qty: _____

FEATURES AND BENEFITS

Physical :

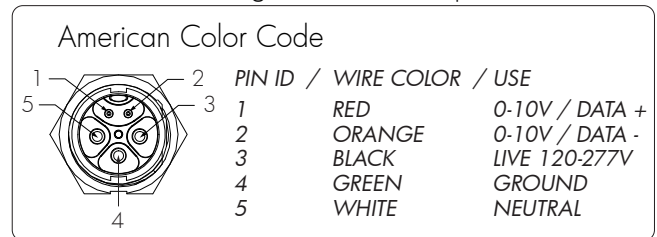
- Low copper content extruded aluminum housing
- Available in 1', 2', 3' or 4' sections
- Electro-statically applied polyester powder coat finish
- Machined aluminum end caps and silicone gaskets
- Stainless steel hardware
- Clear tempered glass
- 10° x 10°, 10° x 60°, 30° x 60° or 60° x 60° optics
- IP66
- Corrosion-resistant option for marine environments
- Meets 3G ANSI C136.31 Vibration standard for bridge applications



Performance :

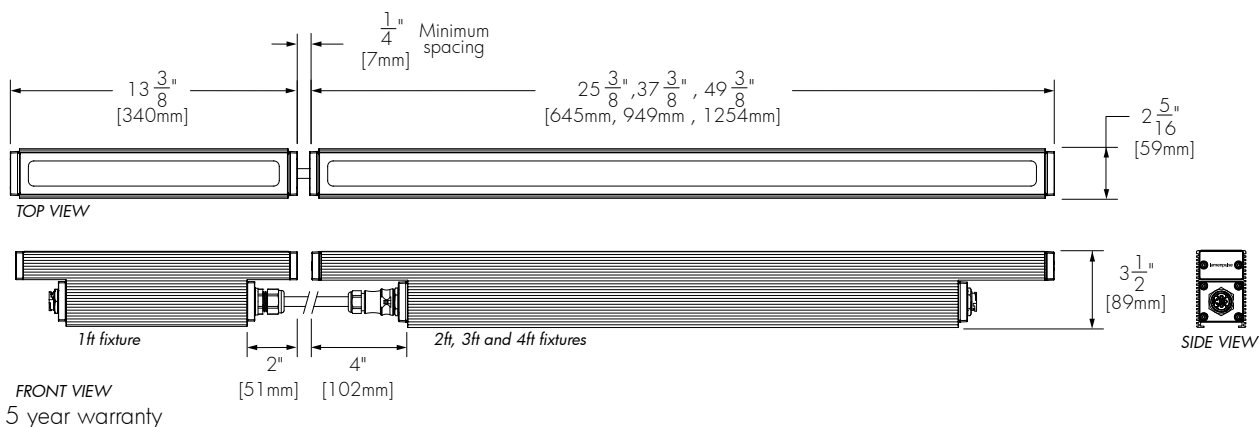
- Minimum 1fc (10.7 lux) @ 129 feet (39.3m) distance (4000K, 4' unit, 10° x 60° optic, HO version)
- 2,929 delivered lumens and 16,765 candelas at nadir (4000K, 4' unit, 10° x 60° optic, HO version)
- CRI values: 85+ (2700K), 80+ (3000K), 78+ (4000K)
- Lumen maintenance 120,000 hrs [L70 @ 25°C]
- Lumen measurements comply with LM - 79 - 08 standard
- Resolution per foot or per fixture (see page 5)
- Operating temperatures: -25° C to 50° C [-13F to 122F]

Wiring detail - female pin

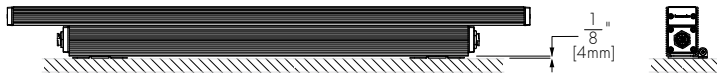


Electrical :

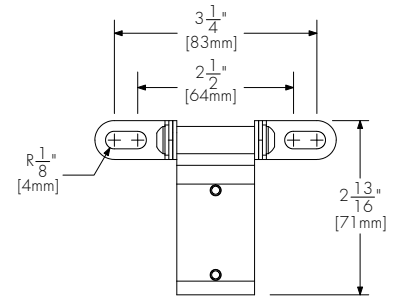
- Line voltage luminaire for 120 to 277V
- Power and data in 1 cable (#16-5)
- Up to 88 feet with a single 120V power feed, HO version
- 5W/ft version meets ASHRAE standards for linear lighting on building facades
- 8.5W/ft Regular Output version
- 15.25W/ft High Output version
- Dimming options: 0-10 volt, DMX, DALI, Lumentalk, or Lutron® EcoSystem® enabled



MOUNTING OPTIONS



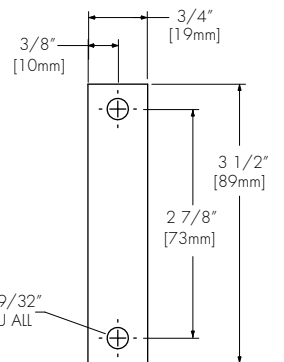
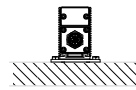
SAM
Slim Adjustable Mounting



SAM
Mounting Hole Pattern



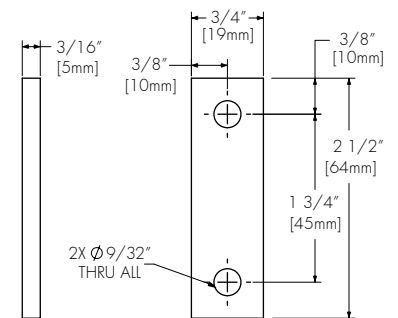
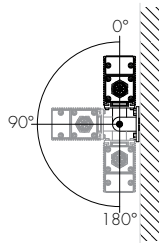
UMP
Fixed Mounting



UMP
Mounting Hole Pattern



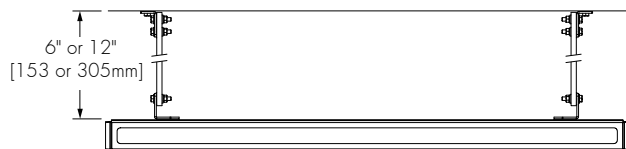
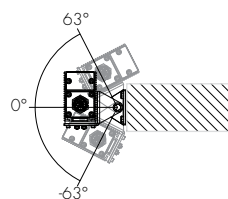
UMAS
Universal Adjustable Mounting



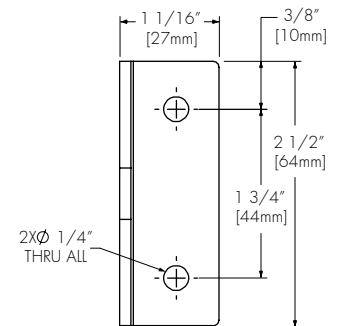
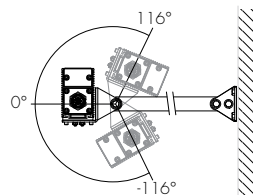
UMAS
Mounting Hole Pattern



WAM2
Adjustable Wall Mounting

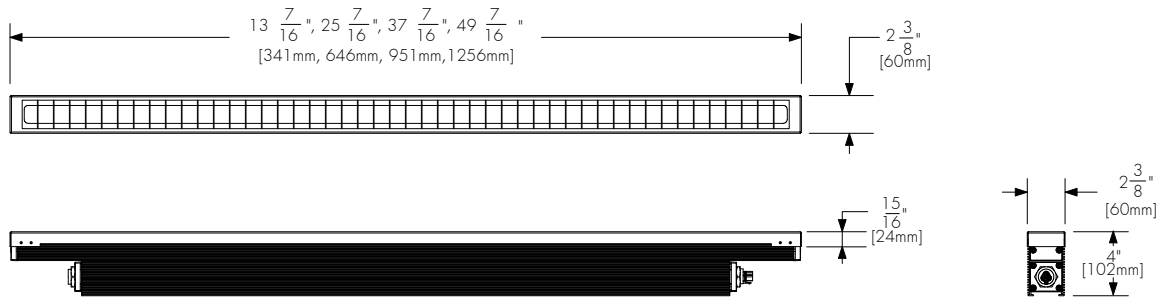


WAM6 & WAM12
Adjustable Extended Arm Mounting



WAM
Mounting Hole Pattern

LOUVER ACCESSORY INSTALLATION DETAIL

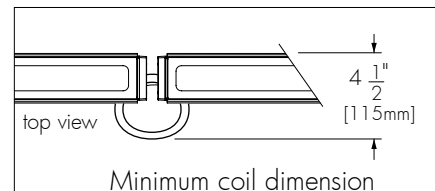
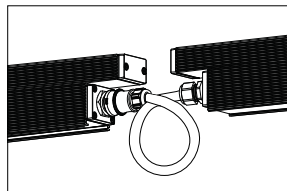


LOGRD

Radial Louver for Lumenfacade
(See page 4 for ordering code)

OPTION

ETE - End-to-end configuration,
no jumper cable needed.
16" cable included at input.



ACCESSORIES

Order separately

Control Systems:

- LTO2** Lumentouch 2.0 is a wall mount DMX 512 controller keypad
- LCU** Lumencue is a USB / mini SD DMX 512 controller
- LID** LumenID is a diagnostic and addressing DMX 512 controller. It must be specified on all DMX applications. Refer to LID specification sheet for details.
- LTN** Lumentone is a simple pre-programmed DMX 512 controller with a push button rotary dial and live feedback.

CBOX :

iCBOX-__V-__-__ Interior DMX 512 data box.
Data input and output, M20 provision holes with plugs.
Voltage input and output, M20 provision holes with plugs.
Up to six outputs to fixtures, M20 provision holes with plugs.
Please specify desired input voltage and finish.
Refer to iCBOX specification sheet for details.

CBOX-__V-__-__ DMX 512 data box.
Data input and output, M20 provision holes with plugs.
Voltage input and output, M20 provision holes with plugs.
Up to six outputs to fixtures, M20 provision holes with plugs.
Please specify desired input voltage and finish.
Refer to CBOX specification sheet for details.

Leader Cable :

LOGLCD__ Leader Cable for Lumenfacade.
Please add desired cable length : 10, 25 or 50 feet standard length
Sealing endcap is mandatory for any unused connector.
(1) included with every leader cable

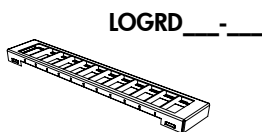
LOGLCD__-ETE Leader Cable for Lumenfacade, ETE option.
Please add desired cable length : 10, 25 or 50 feet standard length
Sealing endcap is mandatory for any unused connector.
(1) included with every leader cable

Jumper Cable :

LOGJCD__ Jumper Cable for Lumenfacade.
Please add desired cable length : 2, or 4 feet standard length

LOGJCD__-ETE Jumper Cable for Lumenfacade, ETE option.
Please add desired cable length : 2, or 4 feet standard length

Radial Louver :



LOGRD__-__ Radial louver for Lumenfacade.

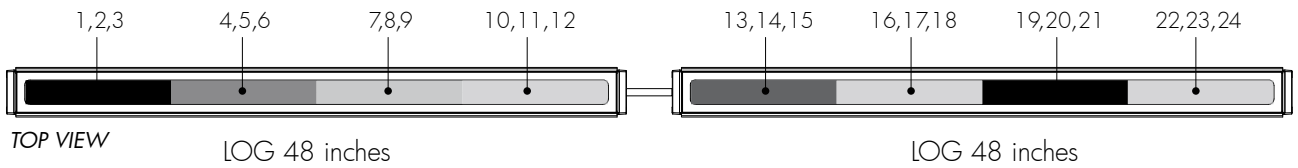
1. Please specify desired nominal length: 1', 2', 3' or 4'.
2. Please specify finish as BK - Black SandText
(Custom color available on request, please specify as CC together with RAL color : _____)

RESOLUTION DETAILS

APPLICABLE FOR DMX DIMMING OPTION ONLY

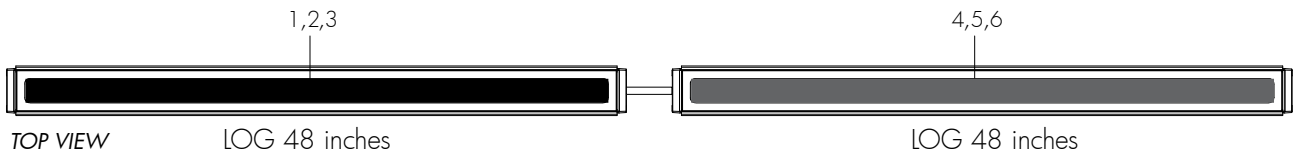
DMX 1FT - Resolution per foot: each foot is addressed independently (recommended for most installations).

DMX ADDRESSES:



DMX 1FX - Resolution per fixture: each fixture is addressed independently

DMX ADDRESSES:

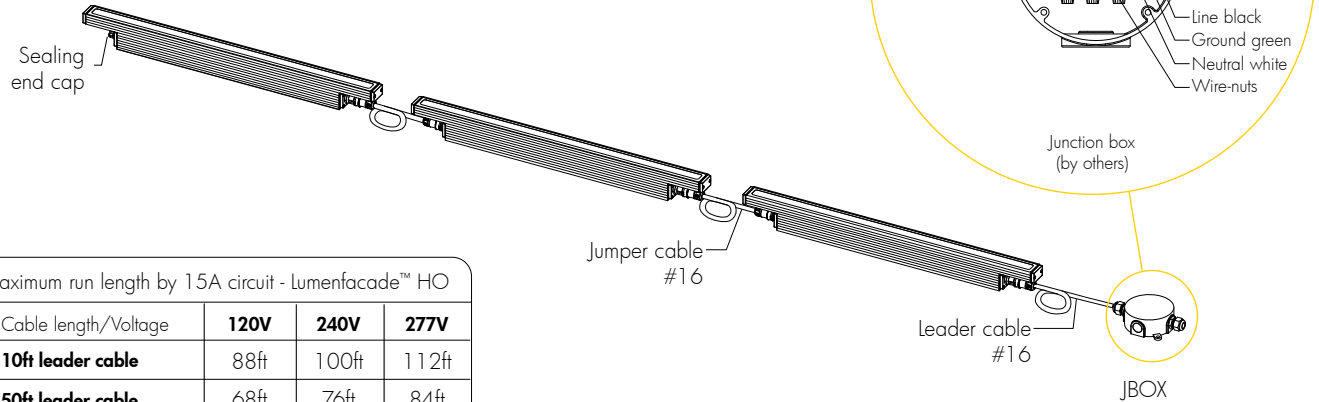


*Warning: resolution is a factory setting and cannot be changed in the field.

TYPICAL WIRING DIAGRAMS

Non-Dimming or Lumentalk Dimming Version

1% minimum dimming value with Lumentalk dimming



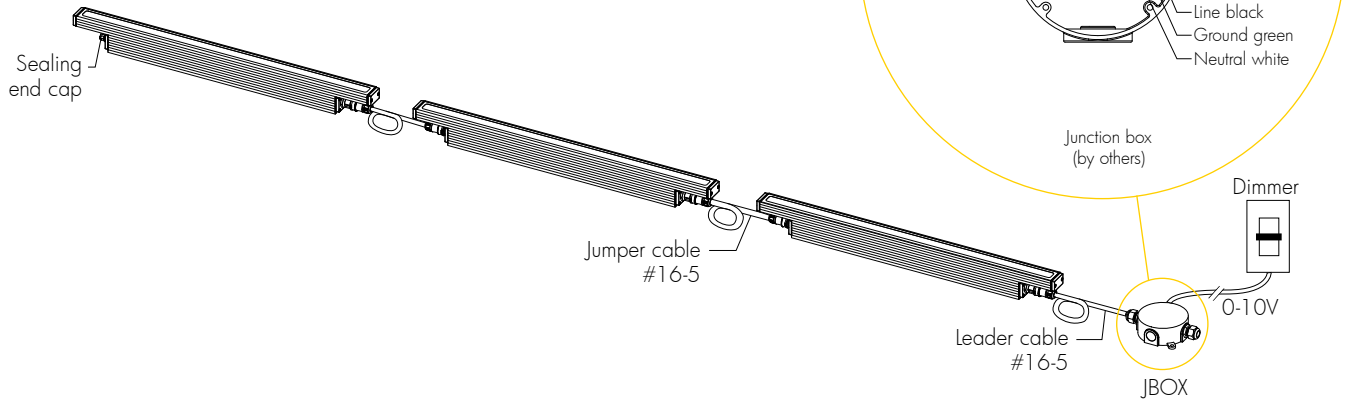
Maximum run length by 15A circuit - lumenfacade™ HO			
Cable length/Voltage	120V	240V	277V
10ft leader cable	88ft	100ft	112ft
50ft leader cable	68ft	76ft	84ft

Maximum run length by 15A circuit - lumenfacade™ RO			
Cable length/Voltage	120V	240V	277V
10ft leader cable	148ft	168ft	184ft
50ft leader cable	120ft	132ft	148ft

ASHRAE Code Compliant - lumenfacade™ 5W/ft Maximum run length by 15A circuit			
Cable length/Voltage	120V	240V	277V
10ft leader cable	180ft	250ft	300ft
50ft leader cable	168ft	230ft	280ft

Dimming Version (0-10V)

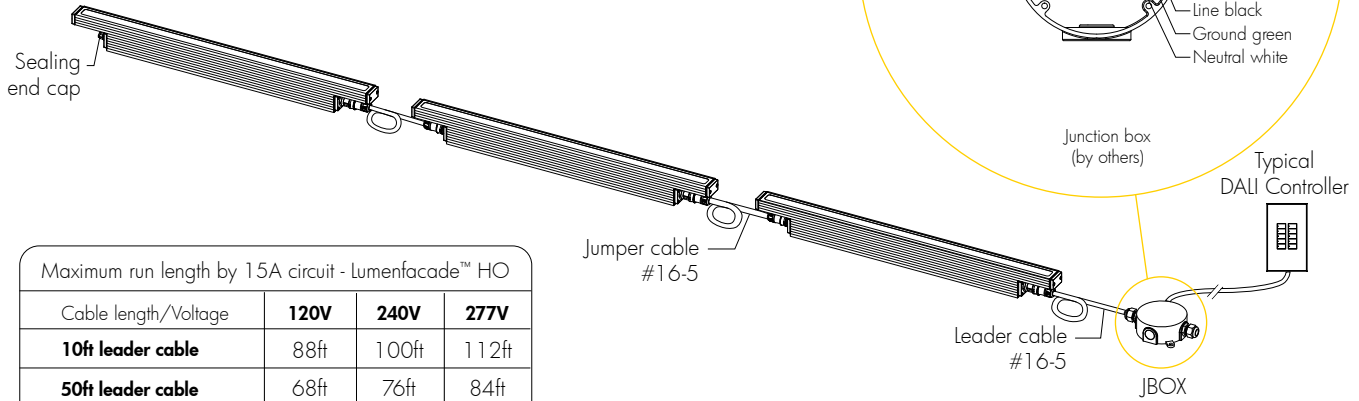
10% minimum dimming value



TYPICAL WIRING DIAGRAMS - continued

Dimming Version (DALI)

1% minimum dimming value

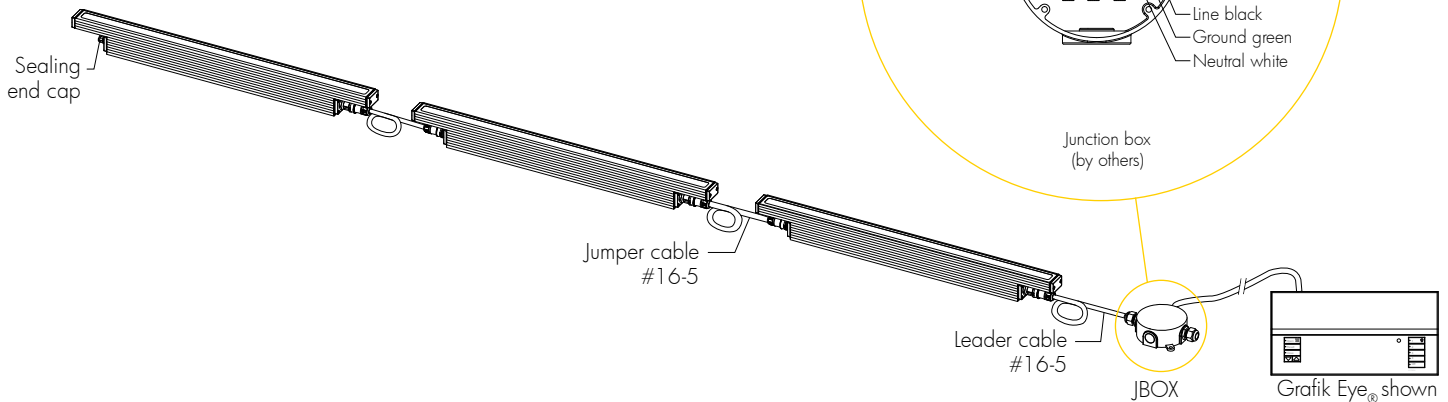


Maximum run length by 15A circuit - lumenfacade™ HO			
Cable length/Voltage	120V	240V	277V
10ft leader cable	88ft	100ft	112ft
50ft leader cable	68ft	76ft	84ft
Maximum run length by 15A circuit - lumenfacade™ RO			
Cable length/Voltage	120V	240V	277V
10ft leader cable	148ft	168ft	184ft
50ft leader cable	120ft	132ft	148ft

ASHRAE Code Compliant - lumenfacade™ 5W/ft Maximum run length by 15A circuit			
Cable length/Voltage	120V	240V	277V
10ft leader cable	180ft	250ft	300ft
50ft leader cable	168ft	230ft	280ft

Dimming Version (EcoSystem®)

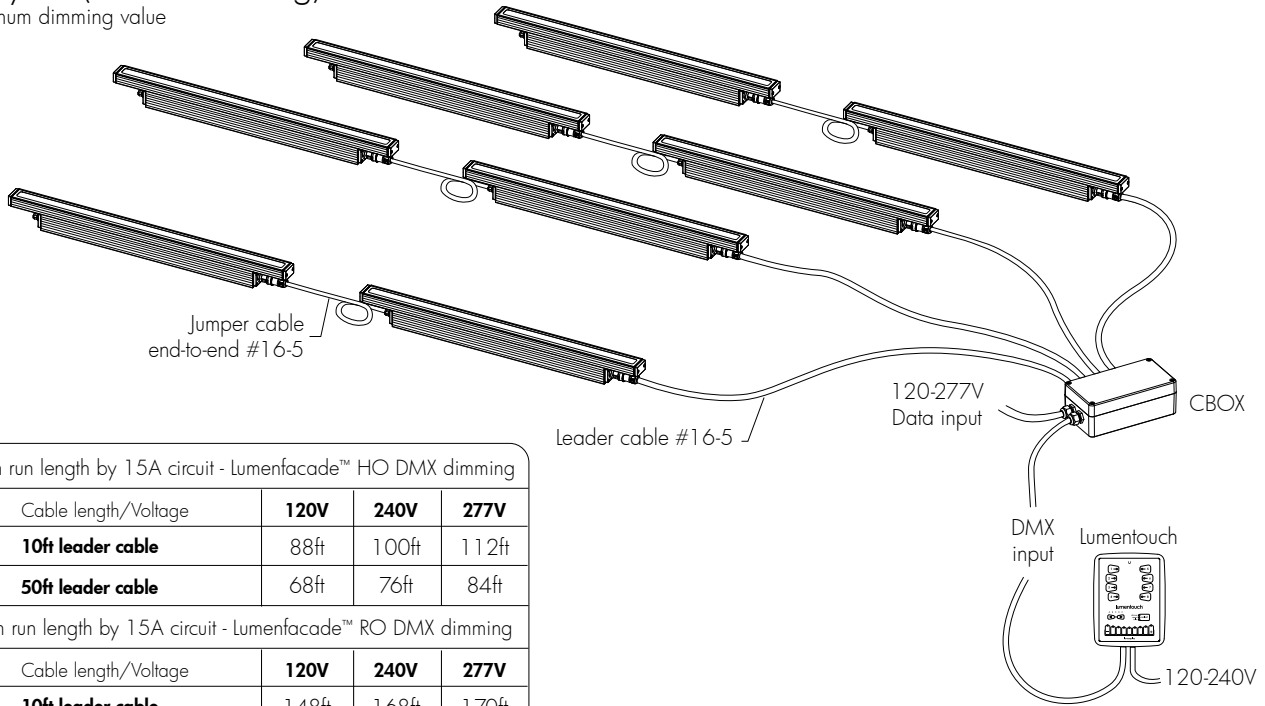
1% minimum dimming value



TYPICAL WIRING DIAGRAMS - continued

Star Layout (DMX Dimming)

1% minimum dimming value



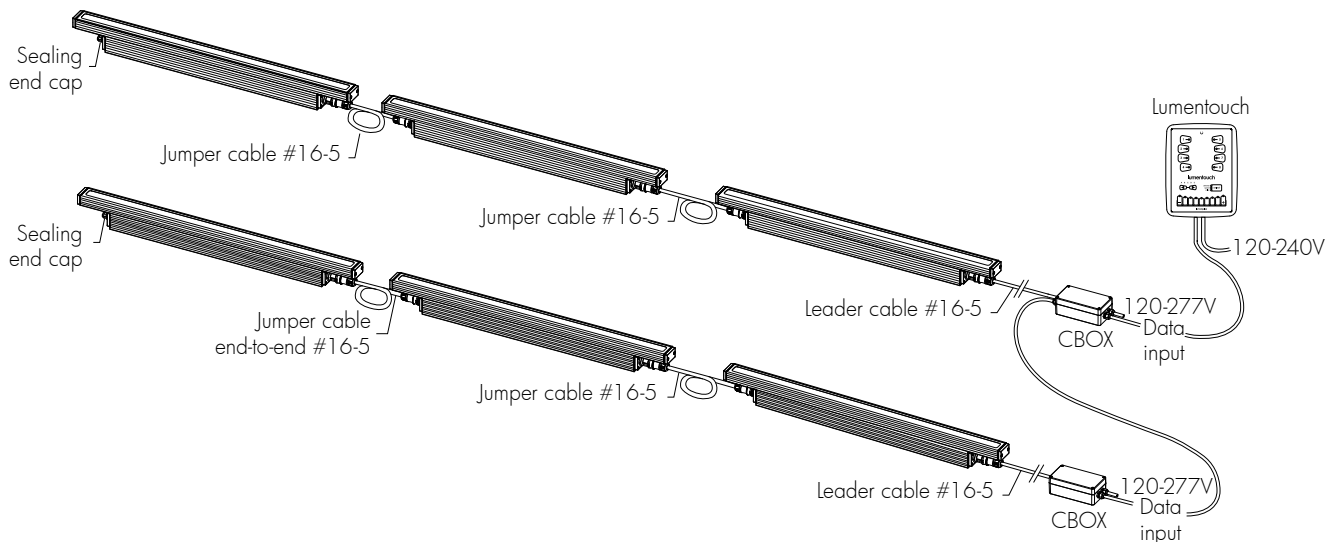
Maximum run length by 15A circuit - Lumenfacade™ HO DMX dimming			
Cable length/Voltage	120V	240V	277V
10ft leader cable	88ft	100ft	112ft
50ft leader cable	68ft	76ft	84ft
Maximum run length by 15A circuit - Lumenfacade™ RO DMX dimming			
Cable length/Voltage	120V	240V	277V
10ft leader cable	148ft	168ft	170ft
50ft leader cable	120ft	132ft	148ft

ASHRAE Code Compliant - Lumenfacade™ 5W/ft DMX dimming Maximum run length by 15A circuit			
Cable length/Voltage	120V	240V	277V
10ft leader cable	170ft	170ft	170ft
50ft leader cable	168ft	170ft	170ft

*Up to 170 individually addressable 1 foot sections per DMX run.
Consult factory for specific applications.

Daisy Chain layout (DMX Dimming)

1% minimum dimming value



HOW TO ORDER

LOG

Housing	Voltage	Length	Colors and color temperatures	Optic	Mounting Option	Finish	Control	Option
1	2	3	4	5	6	7	8	9
1					6			

Housing:

LOG ASHRAE - Lumenfacade™, 5W/ft ASHRAE compliant

LOG RO - Lumenfacade™ Regular Output, 8.5W/ft

LOG HO - Lumenfacade™ High Output, 15.25W/ft

Mounting Option:

SAM - Slim Adjustable Mounting

UMP - Fixed Mounting

(Suitable to use when **3GV** option is specified)

UMAS - Universal Adjustable Mounting

(Suitable to use when **3GV** option is specified)

WAM2 - Adjustable Wall Mounting 2"

WAM6 - Adjustable Extended Arm Mounting 6"

WAM12 - Adjustable Extended Arm Mounting 12"

Voltage:

120 - 120 volts

208 - 208 volts

220/240 - 220 to 240 volts

277 - 277 volts

Finish:

SI - Silver SandText

BK - Black SandText

WH - White

CC - Custom (please specify RAL color)

Length:

12 - 13 3/8 inches (340mm) (2 kg/4.5 lbs)

24 - 25 3/8 inches (645mm) (3.17 kg/7 lbs)

36 - 37 3/8 inches (949mm) (4.75 kg/10.5 lbs)

48 - 49 3/8 inches (1254mm) (6.35 kg/14 lbs)

Control:

NO - No Dimming

LT - Lumentalk Dimming

(available for 2', 3' and 4' lengths only)

(1% minimum dimming value)

DIM - 0-10V Dimming option

(10% minimum dimming value)

DMX 1FT - DMX Dimming option, resolution per foot

(1% minimum dimming value)

DMX 1FX - DMX Dimming option, resolution per fixture

(1% minimum dimming value)

DALI - DALI Dimming option

(1% minimum dimming value)

ES - Lutron® EcoSystem® Enabled Dimming

(available for 2', 3' and 4' lengths only)

(1% minimum dimming value)

Colors and Color temperatures:

27K - 2700K

30K - 3000K

35K - 3500K

40K - 4000K

RD - Red

GR - Green

BL - Blue

Optics:

10x10 - 10° x 10°

*For best results use with HO fixtures at a 6-inch (1.5cm) setback from surface. Contact factory for application support.



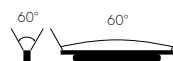
10x60 - 10° x 60°



30x60 - 30° x 60°



60x60 - 60° x 60°



Option:

ETE - End-to-end configuration, no jumper cable needed

CRC - Corrosion-resistant Coating

3GV - 3G ANSI C136.31 Vibration Rating

N.B. Available with UMP and UMAS mounting options only.