

LUNERA HELEN LAMP

LED Replacement Lamps for
4-pin/2-pin CFL Downlights



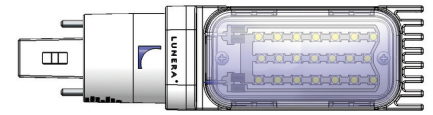
Description

The Helen Lamp from Lunera is a plug-and-play LED replacement for CFL downlights with 4-pin G24q-series (electronic ballast) and 2-pin G24d-series (magnetic ballast) sockets. Simply choose the configuration for Horizontal, Vertical or Vertical Long versions, plug it in like any CFL lamp, and enjoy the superior light quality and energy savings - no need to bypass the CFL ballast.

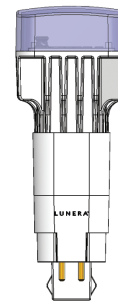
These beautiful lamps have a Color Rendering Index of 84 and deliver 900 lumens of usable light. The Helen Lamp is available in 2700K, 3000K, 3500K, and 4000K color temperatures.

The long lifespan of the Helen Lamp is rated at 50,000 hours, 5x longer than CFLs, and is supported by a five year warranty.

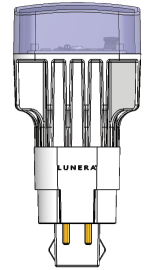
The Helen Lamp offers 50%+ energy savings and is compatible with 26W, 32W, and 42W CFLs, making it easy to save even more energy.



Horizontal



Vertical Long



Vertical 4-pin

Features

- Directly replaces 26W, 32W, and 42W CFLs (4-pin) or 26W CFLs (2-pin)
- Plug-and-Play installation
- Delivers 900 lumens of usable light
- 84 CRI
- CCT 2700K, 3000K, 3500K and 4000K
- 50,000 Life
- 5-Year Warranty

Ordering Information

Example: HN-V-G24Q-26W-2700-G2

Series	Version	Socket Type	Lamp Wattage Replaced	CCT	Generation
HN Helen Lamp	V Vertical	G24Q Recessed downlight with G24q series 4-Pin CFL socket	26W 26W, 32W, or 42W CFL	2700 2700 Kelvin	G2 2nd Generation
	VL* Vertical Long			3000 3500 Kelvin	
	H Horizontal	G24D Recessed downlight with G24d series 2-Pin CFL socket		3500 3500 Kelvin	
	*VL available in 4-pin only			4000 4000 Kelvin	

PROJECT	CONTACT	MODEL NO.
REFERENCE NO.	QUANTITY	DATE

LUNERA HELEN LAMP

Product Specifications

Illumination

Color Temperatures	2700K, 3000K, 3500K, 4000K
Lumens (4000K@26W)	900 lm
CRI	84
Color Consistency	Lunera TruColor™ Proprietary Process
Lumen Maintenance (L70)	50,000+ hours life

Electrical System

Power Factor	> 90% (determined by installed ballast)
Total Harmonic Distortion	< 20% (determined by installed ballast)
Input Voltage	Driven by CFL Ballast
Power	13W
Lamp Wattage Replaced	26W (32W and 42W compatible)
Dimming	Non-dim applications only

Physical

Weight	0.25 lbs
Housing and Finish	Aluminum, Painted
Optics	Optical Acrylic Diffusion

Environment

Ambient Operating Temp	-4°F to 100°F (-20°C to 40°C)
Ambient Operating Humidity	20% to 85% RH, non-condensing
Max Heat Sink Temp	221°F (105°C)

Installation

Socket Type (electronic)	G24q series 4-Pin CFL socket
Socket Type (magnetic)	G24d series 2-Pin CFL socket

Certifications & Qualifications

UL	Approved USA, CAN
RoHS Compliant	Contains no lead or mercury
LM79, LM80, IES Files	Available upon request

Warranty

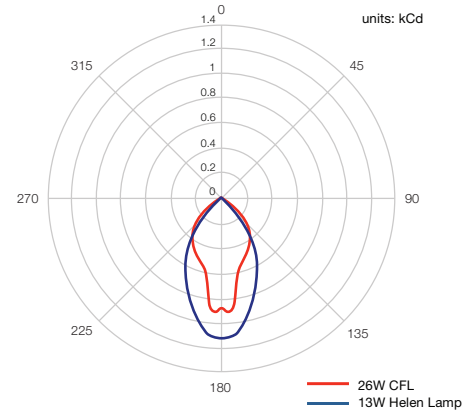
Warranty	5 years
----------	---------

Application Notes

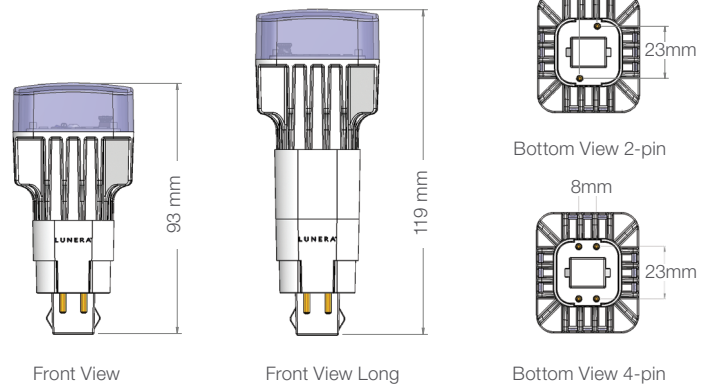
The Helen Lamp may be INCOMPATIBLE with some older ballast models and is not intended for use in lensed downlights. For applications containing dimming ballasts, please contact Lunera for specific compatibility.

Photometry

The Helen Lamp vs. 26W CFL, compared in the same downlight fixture.



Vertical / Vertical Long Package



Horizontal Package

