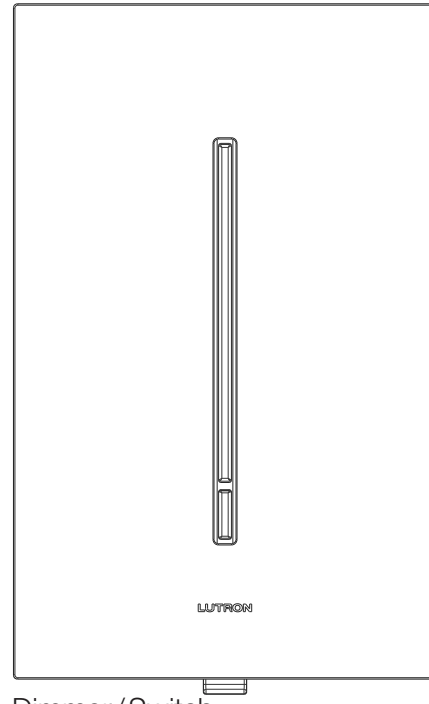


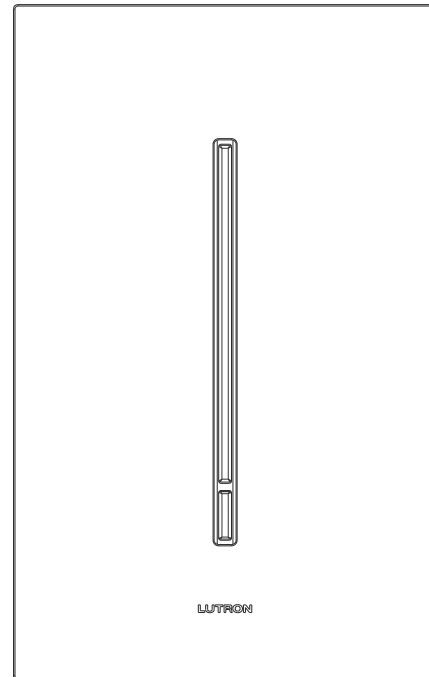
GRAFIK T™ Controls

Features

- Controls include dimmers, switches, and companion device.
- Simple touch control.
- Distinctive architectural aesthetic.
- Softly lit white LEDs indicate light level and coordinate with any décor.
- Models available with or without Clear Connect® RF wireless technology
- Clear Connect® technology (GTJ models only) compatible with:
 - Pico® wireless controls
 - Radio Powr Savr™ Occupancy/Vacancy Sensors
 - Radio Powr Savr™ Daylight Sensors
- Advanced microprocessor dimming technology for control of dimmable LED lamps.¹
- Low-end and high-end trim are available for improved LED dimming performance (dimmer only).
- Optional neutral connection available on 250 W LED models for superior LED dimming performance (dimmer only).²
- Installs in single-pole or multi-location applications. Companion devices are available for multi-location control with dimmers and switches (maximum 4 companion devices per dimmer or switch, 1 main control per circuit).
- Use Lutron® GRAFIK T™ wallplates. All controls come with white wallplate. Other colors and finishes are sold separately. See the **Colors and Finishes** section for details.
- Lutron® GRAFIK T™ wallplates snap on with no visible means of attachment.



Dimmer/Switch



Companion Device

¹ These products are designed to work with LED lamps that are compliant with NEMA SSL-7A Type 2. However, for performance or compatibility information, Lutron recommends visiting our website at www.lutron.com/led, which is constantly being updated.

² GRAFIK T™ switch requires neutral connection.

<p>Job Name:</p>	<p>Model Numbers:</p>
<p>Job Number:</p>	

Model Numbers

Dimmers	
GTJ-150-WH	Clear Connect® RF Technology 150 W Dimmable LED ¹ 600 W Incandescent / Halogen 2-wire dimmer (no neutral connection) Single-pole dimmer
GTJ-250M-WH	Clear Connect® RF Technology 250 W Dimmable LED ¹ 600 W Incandescent / Halogen 400 VA (300 W) Magnetic Low-Voltage 3.3 A (400 VA) Dimmable Fluorescent ² 3.3 A (400 W) Hi-lume® A-Series LTE LED Driver (10 driver maximum) Neutral connection available Multi-location dimmer
GT-150-WH	150 W Dimmable LED ¹ 600 W Incandescent / Halogen 2-wire dimmer (no neutral connection) Single-pole dimmer
GT-250M-WH	250 W Dimmable LED ¹ 600 W Incandescent / Halogen 400 VA (300 W) Magnetic Low-Voltage 3.3 A (400 VA) Dimmable Fluorescent ² 3.3 A (400 W) Hi-lume® A-Series LTE LED Driver (10 driver maximum) Neutral connection available Multi-location dimmer
Switches	
GT-5ANSM-WH ³	5 A Incandescent / Halogen / Fluorescent / LED / MLV / ELV / HID / Relay 3 A Fan 1/10 HP Motor Neutral connection required Multi-location Switch
GTJ-5ANSM-WH ³	Clear Connect® RF Technology 5 A Incandescent / Halogen / Fluorescent / LED / MLV / ELV / HID / Relay 3 A Fan 1/10 HP Motor Neutral connection required Multi-location Switch
Companion Device	
GT-AD-WH	Companion device (works with dimmer or switch)
Wallplates	
LWT-G-XXX ^{4,5}	Single gang GRAFIK T™ wallplate
LWT-GG-XXX ^{4,5}	Two gang GRAFIK T™ wallplate
LWT-GGG-XXX ^{4,5}	Three gang GRAFIK T™ wallplate
LWT-GGGG-XXX ^{4,5}	Four gang GRAFIK T™ wallplate

¹ These products are designed to work with LED lamps that are compliant with NEMA SSL-7A Type 2. However, for performance or compatibility information, Lutron recommends visiting our website at www.lutron.com/led, which is constantly being updated.

² Includes Mark X®, Tu-Wire®, and POWERSENSE®.

³ Not for use with receptacles or appliances (e.g., garbage disposals). See Application Note #109 for compatibility with dimmable receptacles.

⁴ "XXX" in the model number represents color/finish code. See **Colors and Finishes** section for details.

⁵ GRAFIK T™ controls cannot be ganged with Vier® controls or wallplates.

Mark X is a registered trademark of Philips Electronics North America Corporation. POWERSENSE is a registered trademark of OSRAM SYLVANIA Inc.

Job Name:	Model Numbers:
Job Number:	

Specifications

Regulatory Approvals

- UL® Listed (switch pending)
- cUL® Listed (switch pending)
- NOM Certified (pending)
- FCC/IC
- IFTEL (pending)

Power

- 120 V~ 60 Hz

Typical Power Consumption

- Dimmer/Switch: 0.2 W (GTJ models),
0.1 W (GT models)
- Companion device: 0.1 W
- Test conditions: load is off

Environment

- Ambient Temperature Operating Range:
32 °F to 104 °F (0 °C to 40 °C)
- Relative humidity: 0% to 90% non-condensing
- For indoor use only.

Performance

- Power failure memory: should power be interrupted, the control will return to its previous state when power is restored.
- Tested to withstand surge voltages without damage or loss of operation, in accordance with IEEE C62.41-1991 Recommended Practice on Surge Voltages in Low-Voltage AC Power Circuits.
- Tested to withstand electrostatic discharge without damage or memory loss, in accordance with IEC 61000-4-2.
- Dimmers/Switches communicate with Pico® wireless controls or Radio Powr Savr™ sensors through Radio Frequency (RF) and must be located within 30 ft (9 m) of these devices (GTJ models only). Companion devices do not have Clear Connect® RF technology and are not required to be within a specific range of these devices.
- Uses conventional 3-way and 4-way wiring.
- Total multi-location wire length (blue wire) between all units must not exceed 150 ft (45 m).

Application Requirements

- **When using LEDs, only Lutron® approved lamps marked or rated as Dimmable can be used.**
- These products are designed to work with LED lamps that are compliant with NEMA SSL-7A Type 2. However for performance or compatibility information, Lutron recommends visiting our website at www.lutron.com/led, which is constantly being updated.
- For a complete list of approved DIMMABLE LEDs please visit www.lutron.com/led or call 1.800.523.9466.
- Up to 10 sensors or Pico® wireless controls can be assigned to each dimmer or switch (GTJ models only).
- Sensors can be assigned to multiple dimmers or switches (GTJ models only).

Mounting

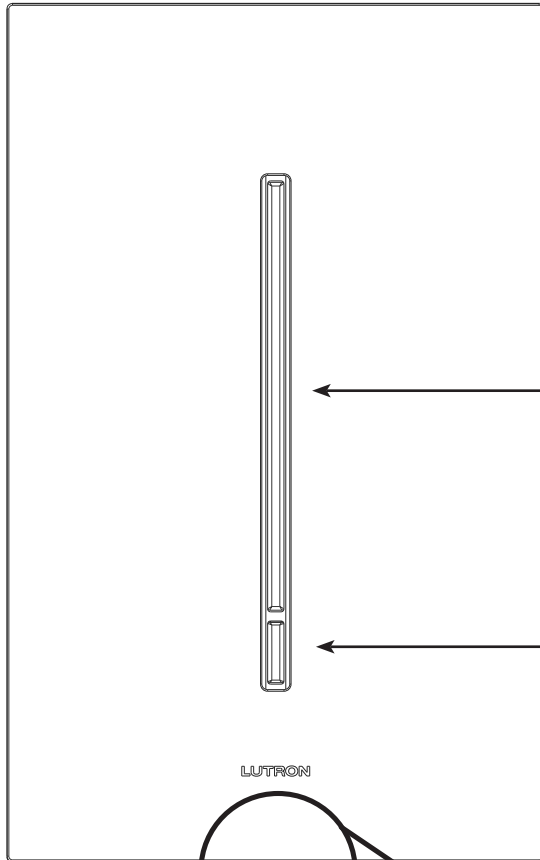
- Requires a U.S. wallbox. 3 1/2 in (89 mm) deep recommended, 2 1/4 in (57 mm) deep minimum.

Warranty

- 1 Year Limited Warranty
For additional Warranty information, please visit www.lutron.com/TechnicalDocumentLibrary/369-119_Wallbox_Warranty.pdf

<p>Job Name:</p> <p>Job Number:</p>	<p>Model Numbers:</p>
--	------------------------------

Operation



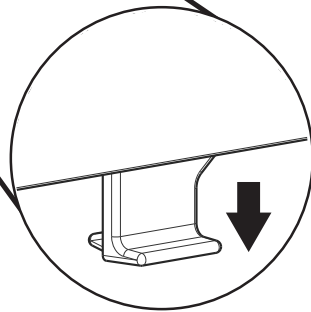
Adjust

- Touch to set lights to desired level (dimmer only)
- Slide to adjust light level (dimmer only)
- Touch anywhere to toggle load On/Off (switch only)

Toggle

- Touch to turn off or to turn on to previous light level
- When On, press and hold to engage the delayed long fade to Off (dimmer only)
- Toggle button is white when On, orange when Off

FASS™
 Front Accessible
 Service Switch
Note: The FASS™
 is not available
 on companion
 devices.



IMPORTANT NOTICE:

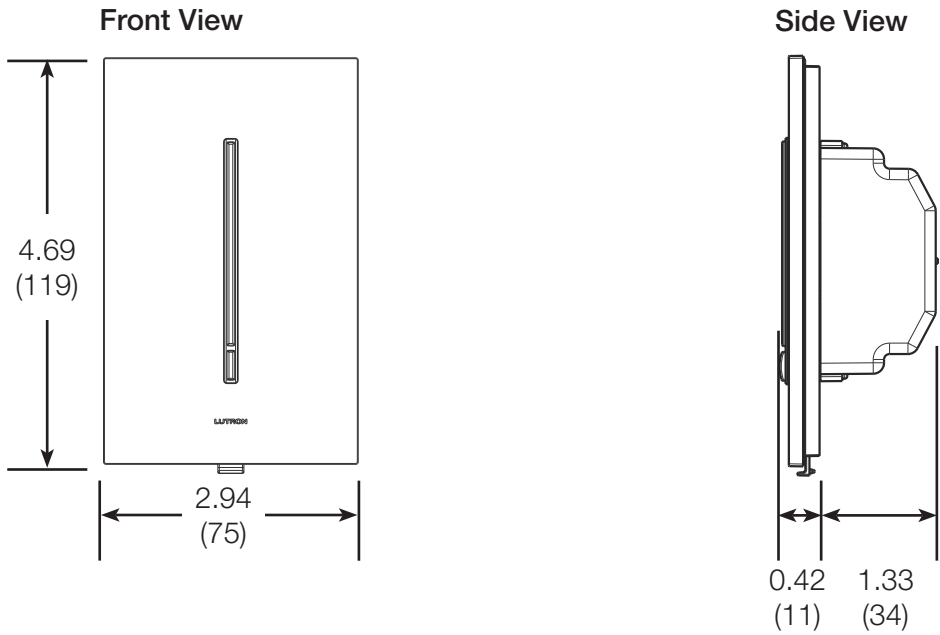
FASS™ - Front Accessible Service Switch

To replace lamp(s), remove power by pulling the FASS™ down fully on all main controlling devices. After replacing lamp(s), push the FASS™ back up fully to restore power to the control(s).

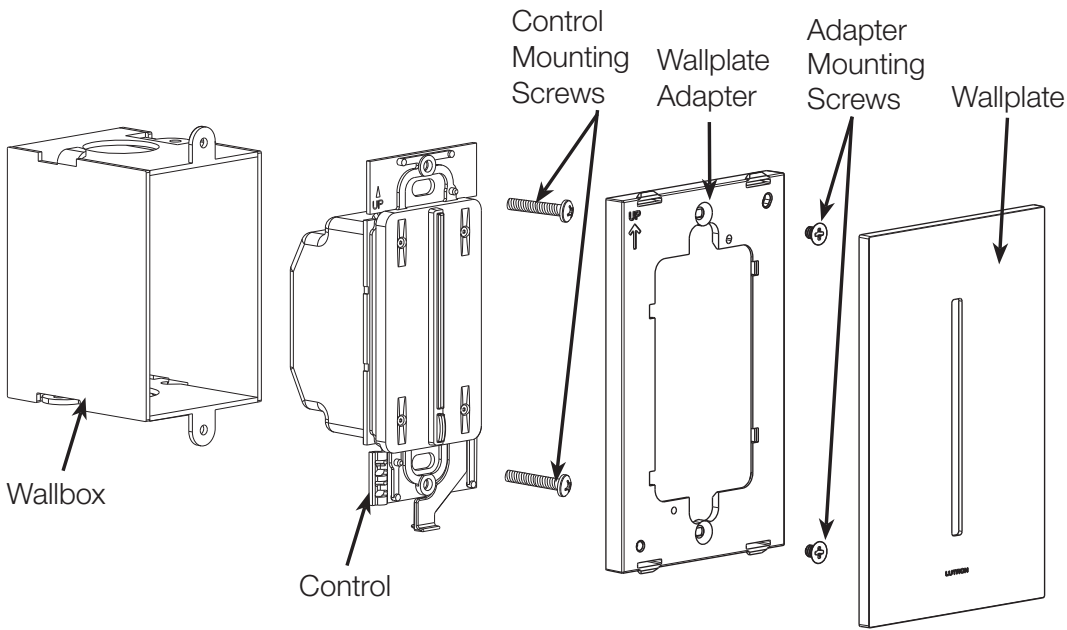
Job Name:	Model Numbers:
Job Number:	

Dimensions

All dimensions are shown as ⁱⁿ_(mm)



Mounting and Parts Identification



Job Name:	Model Numbers:
Job Number:	

Ganging and Derating

When combining controls in the same wallbox, derating is required. See **Load Type and Capacity**. No derating is required for companion devices.

Load Type and Capacity

Control	Load Type	Not Ganged	End of Gang	Middle of Gang	Neutral Connection
GT-150-WH ¹ GTJ-150-WH ¹	LED	150 W	150 W	150 W	No
	Incandescent/ Halogen	600 W	500 W	400 W	
GT-250M-WH ^{2,3} GTJ-250M-WH ^{2,3}	LED	250 W	250 W	250 W	Optional
	Incandescent/ Halogen	600 W	500 W	400 W	
	MLV ^{4,5}	400 VA (300 W)	400 VA (300 W)	400 VA (300 W)	
GT-250M-WH ^{2,3} GTJ-250M-WH ^{2,3}	Dimmable Fluorescent ⁶	3.3 A (400 VA)	3.3 A (400 VA)	3.3 A (400 VA)	Required
	Lutron® Hi-lume® A-Series LTE LED Driver	3.3 A (400 W), 10 drivers max	3.3 A (400 W), 10 drivers max	3.3 A (400 W), 10 drivers max	
GT-5ANSM-WH ^{3,7} GTJ-5ANSM-WH ^{3,7}	Lighting	5 A (600 W)	4.1 A (500 W)	3.3 A (400 W)	Required
	Fan	3 A (360 W)	3 A (360 W)	3 A (360 W)	
	Motor	1/10 HP	1/10 HP	1/10 HP	
	Mixed	3 A (360 W)	3 A (360 W)	3 A (360 W)	

¹ Designed for use with permanently installed LED, incandescent, or tungsten halogen only.

² Designed for use with permanently installed LED, incandescent, tungsten halogen, or magnetic low voltage only.

³ Power Boosters/Load Interfaces: Can be used to control power boosters/load interfaces. For a list of compatible power boosters/load interfaces see **Compatible Power Boosters and Load Interfaces**. Switches and -250M models only, neutral connection required.

⁴ Low-Voltage Applications: Use with magnetic (core and coil) low-voltage transformers only. Not recommended for use with electronic (solid-state) low-voltage transformers but UL® listed for dimmable ELV transformers. Operation of a low-voltage circuit with lamps inoperative or removed may result in transformer overheating and premature failure. Lutron strongly recommends the following:

- Do not operate low-voltage circuits without operative lamps in place.
- Replace burned-out lamps as soon as possible.
- Use transformers that incorporate thermal protection or fused transformer primary windings to prevent transformer failure due to overcurrent.

⁵ When using the dimmer/switch to control MLV fixtures, the maximum lamp wattage is determined by the efficiency of the transformer, with 70%–85% as typical. For actual transformer efficiency, contact either the fixture or transformer manufacturer. The total VA rating of the transformer(s) shall not exceed the VA rating of the dimmer/switch.

⁶ Includes Mark X®, Tu-Wire®, and POWERSENSE®.

⁷ Not for use with receptacles or appliances (e.g., garbage disposals). See Application Note #109 for compatibility with dimmed receptacles.

Mark X is a registered trademark of Philips Electronics North America Corporation.

POWERSSENSE is a registered trademark of OSRAM SYLVANIA Inc.

Job Name:	Model Numbers:
Job Number:	

Minimum Load

Dimmer

Application	Number of Companion Devices	LED ¹		Incandescent/ Halogen		MLV	
		With Neutral Connected	With Neutral Disconnected	With Neutral Connected	With Neutral Disconnected	With Neutral Connected	With Neutral Disconnected
Single Pole	0	1 LED lamp ²	2 LED lamps ²	5 W	40 W	40 W	40 W
Multi-location	1	1 LED lamp ²	3 LED lamps ²	5 W	80 W	40 W	80 W
Multi-location	2	1 LED lamp ²	4 LED lamps ²	5 W	120 W	40 W	120 W
Multi-location	3	1 LED lamp ²	5 LED lamps ²	5 W	160 W	40 W	160 W
Multi-location	4	1 LED lamp ²	6 LED lamps ²	5 W	200 W	40 W	200 W

Switch

Minimum load for the switch is 5 W, one SSL-7A compliant LED replacement lamp, or one A-Series LED driver.

Compatible Power Boosters and Load Interfaces

Some local controls can be used to control power boosters or load interfaces. Up to three power boosters or load interfaces can be used with one control. See table below for a list of controls and compatible power boosters and load interfaces. When controlling power boosters/load interfaces, the neutral must be connected.

Control	Phase Adaptive Power Modules (PHPM-PA-120-WH & PHPM-PA-DV-WH) ³	3-wire Fluorescent Power Modules (PHPM-3F-120-WH & PHPM-3F-DV-WH) ⁴	Switched Power Module (PHPM-SW-DV-WH) ⁵	0-10 V Interface and Switching Module (GRX-TVI) ⁶
GT-250M GTJ-250M	✓	✓		✓
GT-5ANSM GTJ-5ANSM			✓	

¹ Includes SSL-7A compliant LED replacement lamps and A-Series LED drivers.

² These products are designed to work with LED lamps that are compliant with NEMA SSL-7A Type 2. However, for performance or compatibility information, Lutron recommends visiting our website at www.lutron.com/led, which is constantly being updated.

³ See Lutron® P/N 369356 for wiring diagrams.

⁴ See Lutron® P/N 369355 for wiring diagrams.

⁵ See Lutron® P/N 369357 for wiring diagrams.

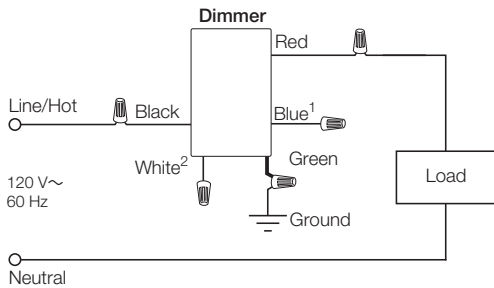
⁶ See Lutron® P/N 369247 for wiring diagrams.

Job Name:	Model Numbers:
Job Number:	

Wiring Diagrams

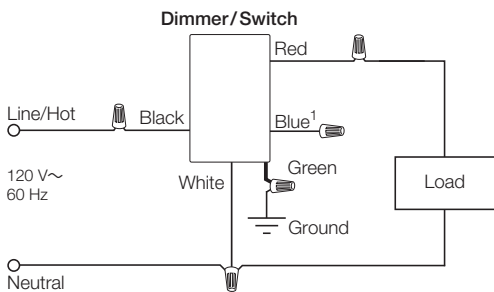
Wiring Diagram 1

Single Location Installation without Neutral^{1,2}
 GT-150, GTJ-150, GT-250M, or GTJ-250M only



Wiring Diagram 2

Single Location Installation with Neutral¹
 GT-250M, GTJ-250M, GT-5ANSM, or GTJ-5ANSM



¹ When using controls in single location installations, cap off the blue wire. **Do not** connect the blue wire to any other wiring or to ground (-5ANSM and -250M models only).

² When neutral wire connection is unavailable, cap off the white wire. **Do not** connect the white wire to any other wiring or to ground (-250M models only).

Continued on next page...

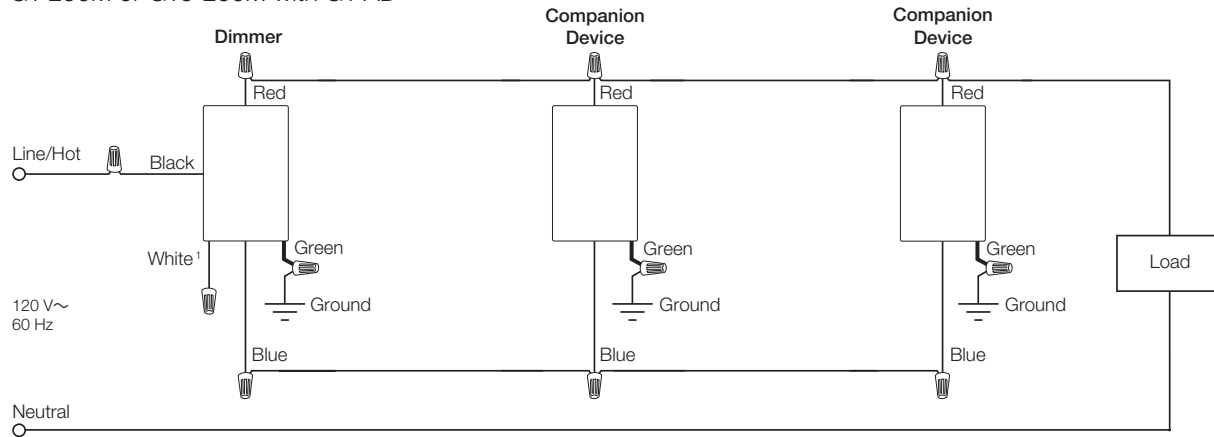
Job Name:	Model Numbers:
Job Number:	

Wiring Diagrams (continued)

Wiring Diagram 3

Multi-Location Installation without Neutral^{1,2,3} - Dimmer Line Side

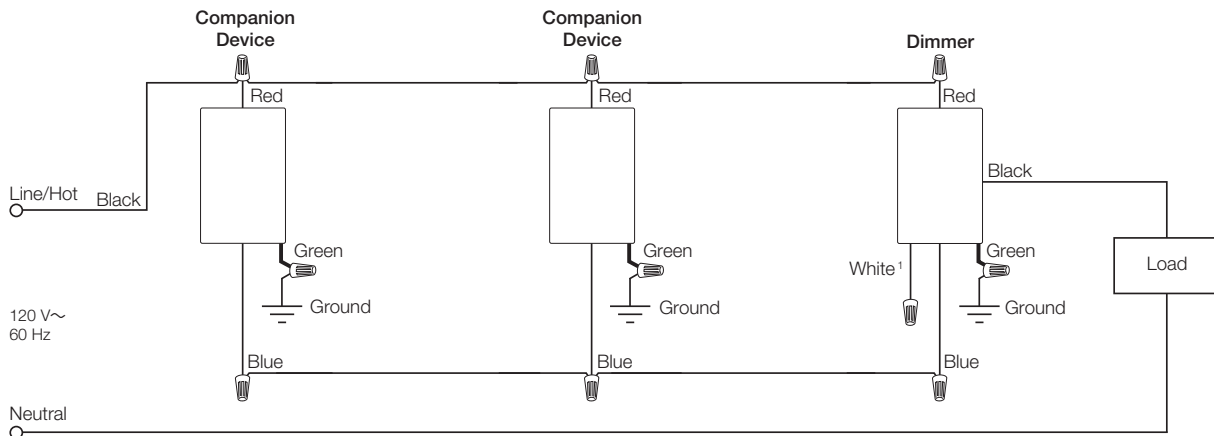
GT-250M or GTJ-250M with GT-AD



Wiring Diagram 4

Multi-Location Installation without Neutral^{1,2,3} - Dimmer Load Side

GT-250M or GTJ-250M with GT-AD



¹ When neutral wire connection is unavailable, cap off the white wire. **Do not** connect the white wire to any other wiring or to ground.

² Up to 4 companion devices may be connected to each dimmer. Total blue traveler wire length may be up to 150 ft (45 m).

³ Dimmers may be connected on the Line side or Load side of a multi-location installation if neutral is not connected. The dimmer cannot be installed in the middle location of a 4-way installation.

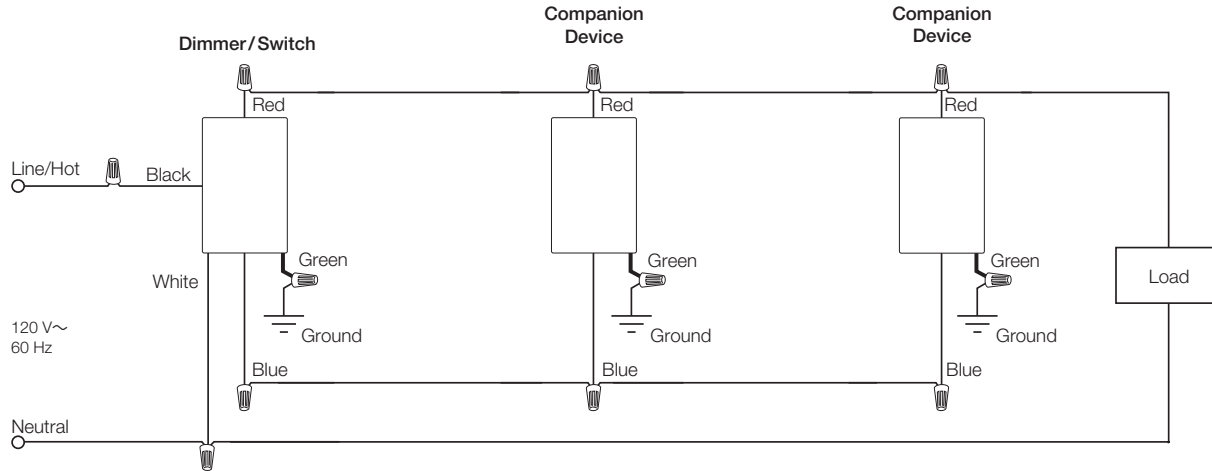
Continued on next page...

Job Name:	Model Numbers:
Job Number:	

Wiring Diagrams (continued)

Wiring Diagram 5

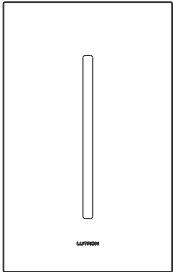
Multi-Location Installation with Neutral^{1,2} - Control Line Side
GT-250M, GTJ-250M, GT-5ANSM, or GTJ-5ANSM with GT-AD



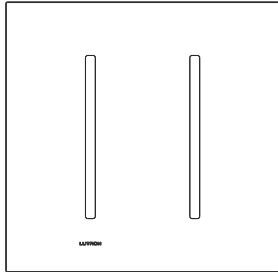
- 1 Up to 4 companion devices may be connected to each dimmer or switch. Total blue traveler wire length may be up to 150 ft (45 m).
- 2 Control must be installed on line side of circuit if using neutral wire.

Job Name:	Model Numbers:
Job Number:	

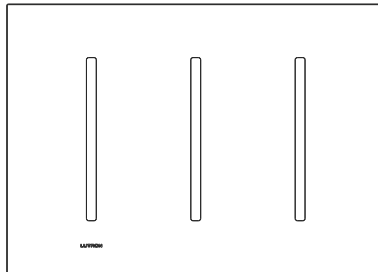
GRAFIK T™ Wallplates



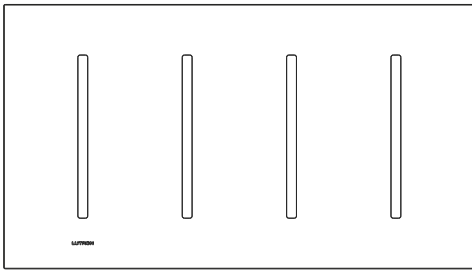
LWT-G-XXX¹
(1 Gang)



LWT-GG-XXX¹
(2 Gang)



LWT-GGG-XXX¹
(3 Gang)



LWT-GGGG-XXX¹
(4 Gang)

¹ "XXX" in the model number represents color/finish code. See the **Colors and Finishes** section for details.

<p>Job Name:</p> <p>Job Number:</p>	<p>Model Numbers:</p>
--	-----------------------

Colors and Finishes

Architectural Matte Finishes

	
White WH	Ivory IV
	
Almond AL	Light Almond LA
	
Gray GR	Taupe TP
	
Beige BE	Brown BR
	
Black BL	Sienna SI

Satin Colors® Finishes

			
Hot HT	Merlot MR	Plum PL	Turquoise TQ
			
Taupe TP	Eggshell ES	Biscuit BI	Snow SW
			
Palladium PD	Midnight MN	Sienna SI	Terracotta TC
			
Greenbriar GB	Bluestone BG	Mocha Stone MS	Goldstone GS
			
Desert Stone DS	Stone ST	Limestone LS	

Architectural Metal Finishes

					
Satin Brass SB	Bright Brass BB	Bright Chrome BC	Antique Brass QB	Antique Bronze QZ	Satin Chrome SC
					
Clear Anodized Aluminum CLA	Black Anodized Aluminum BLA	Brass Anodized Aluminum BRA	Satin Nickel SN	Bright Nickel BN	

- Due to printing limitations, colors and finishes shown cannot be guaranteed to perfectly match actual product colors.
- Color chip keychains are available for more precise color matching:
Architectural Matte Finishes: AM-CK-1 | Architectural Metal Finishes: AMTL-CK-1 | Satin Color Finishes: SC-CK-1

Job Name:	Model Numbers:
Job Number:	