

Maestro Sensors

Lutron’s Maestro Dimmer and Switch with occupancy and vacancy sensors are lighting controls with passive infrared sensors that automatically control the lights in an area. These sensors detect the heat from occupants moving within an area to determine when the space is occupied.

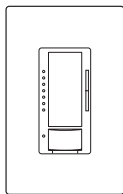
The Dimmer with Sensor combines a Maestro 600 W incandescent/halogen dimmer with an occupancy or vacancy sensor.

The Switch with Sensor combines a Maestro 5 A lighting switch with an occupancy or vacancy sensor.

Family Features

- Passive infrared motion detection with exclusive Lutron XCT™ Technology for fine motion detection
- 180° sensor field-of-view
- Up to 30 ft x 30 ft (900 ft²) major motion coverage and 20 ft x 20 ft (400 ft²) minor motion coverage
- Occupancy/vacancy version can be set to auto-on/auto-off or manual-on/auto-off
- Vacancy version available to meet CA title 24 requirements

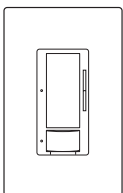
Dimmer with sensor:



Model Number *	Description	Sensor Operation	Maximum Capacity
MS-OP600M-XX	Occupancy/vacancy single-pole/multi-location	Auto-on/auto-off or manual-on/auto-off	600 W incandescent/halogen
MS-VP600M-XX	Vacancy single-pole/multi-location	Manual-on/auto-off	600 W incandescent/halogen

- Adjustable timeout - 1, 3, 5, 15, or 30 minutes
- Optional off warning dims the lights by 50%, 30 seconds before the light turns off
- High-low sensitivity adjustment
- Standard Maestro dimmer features: locked preset, fade-to-on, and fade-to-off
- Works with up to 9 companion dimmers (MA-R-XX) *

Switch with sensor:



Model Number *	Description	Sensor Operation	Maximum Capacity
MS-OPS5AM-XX	Occupancy/vacancy single-pole/multi-location	Auto-on/auto-off or manual-on/auto-off	5 A lighting
MS-VPS5AM-XX	Vacancy single-pole/multi-location	Manual-on/auto-off	5 A lighting

- Adjustable timeout - 1, 5, 15, or 30 minutes
- High-low sensitivity adjustment
- 5 A switch controls: incandescent, halogen, MLV, ELV, and non-dim fluorescent (neutral required)
- Works with up to 9 companion switches (MA-AS-XX) *

* XX in model number represents color/finish code

Job Name:	Model Numbers:
Job Number:	

Colors and Finishes

Gloss Finishes (available now)



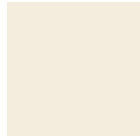
White
WH



Ivory
IV



Almond
AL



Light
Almond
LA

Satin Finishes (available Q4 2009)



Hot
HT



Merlot
MR



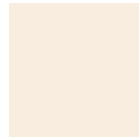
Plum
PL



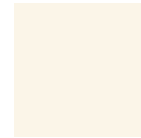
Turquoise
TQ



Taupe
TP



Eggshell
ES



Biscuit
BI



Snow
SW



Palladium
PD



Midnight
MN



Sienna
SI

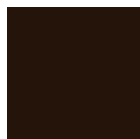


Terracotta
TC

Gloss Finishes (available Q4 2009)



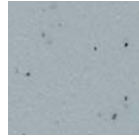
Gray
GR



Brown
BR



Greenbriar
GB



Bluestone
BG



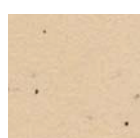
Mocha
Stone
MS



Goldstone
GS



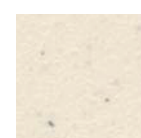
Black
BL



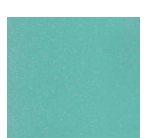
Desert Stone
DS



Stone
ST



Limestone
LS



Sea Glass
SG

Due to printing limitations, colors and finishes shown cannot be guaranteed to perfectly match actual product colors.

Job Name:	Model Numbers:
Job Number:	

Load Type and Capacity

Control	Voltage	Load Type	Minimum Load	Maximum Load			Neutral Connection
				Not Ganged	End of Gang	Middle of Gang	
MS-OP600M MS-VP600M	120 V~	Incand. ¹	40 W	600 W	500 W	400 W	---
MS-OPS5AM MS-VPS5AM	120 V~	Lighting ²	5 W	5 A	4 A	3.2 A	YES

¹ Dimmer Load Type: OP600M/VP600M is designed for use with permanently installed incandescent or tungsten halogen only. Do not install dimmers to control receptacles or motor-operated appliances.

² Switch Load Type: OPS5A/VPS5A is designed for use with permanently installed lighting loads.

Job Name:	Model Numbers:
Job Number:	

Specifications

Regulatory Approvals

- UL Listed and CUL Listed.

Power

Operating voltage:
120 V~ 60 Hz

Key Design Features - Dimmer

- On a single-tap, lights fade ON or OFF.
- On a double-tap, lights go to full ON.
- When ON, press and hold to engage up to 60-second fade to OFF.
- Light levels can be fine-tuned by pressing and holding the dimming rocker until the desired light level is reached.

Environment

- Ambient operating temperature: 32 °F to 104 °F (0 °C to 40 °C), 0%-90% humidity, non-condensing. Indoor use only.

Warranty

- 1 Year Limited Warranty.

Timeout Options

- 1 Minute
- 3 Minutes*
- 5 Minutes
- 15 Minutes
- 30 Minutes

Sensitivity Options

- High sensitivity
- Low sensitivity

Auto-On Options (occupancy/vacancy version)

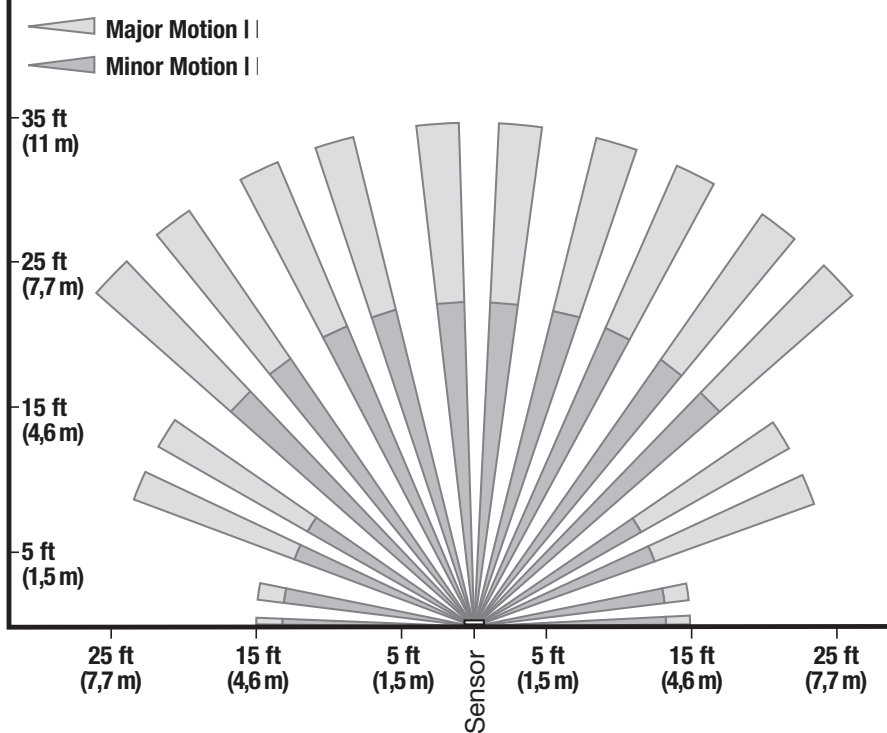
- “Enabled” - Auto-On
- “Disabled” - Manual-On

* dimmer only

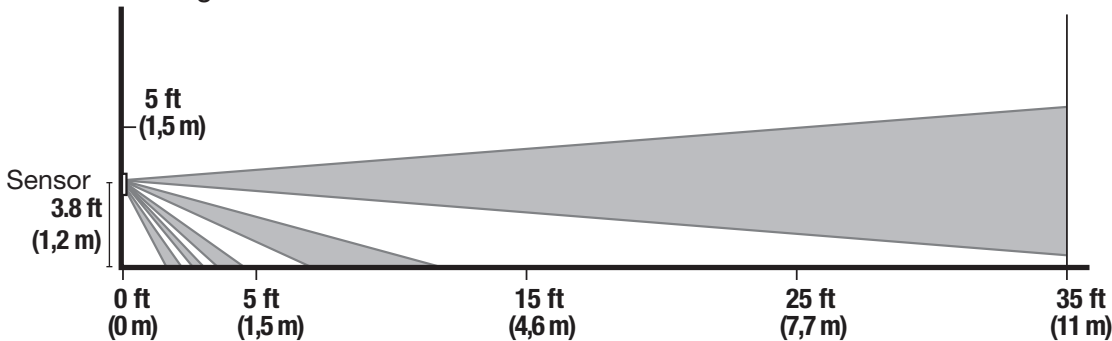
Job Name:	Model Numbers:
Job Number:	

Range Diagrams

Horizontal Coverage



Vertical Coverage

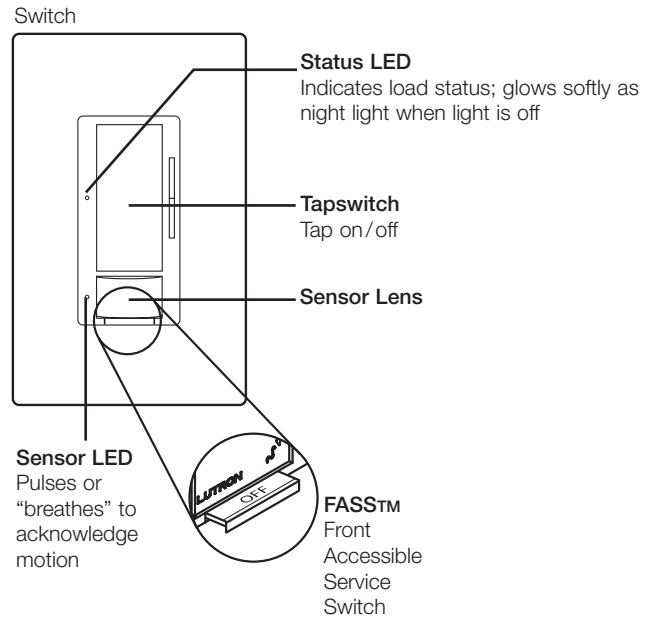
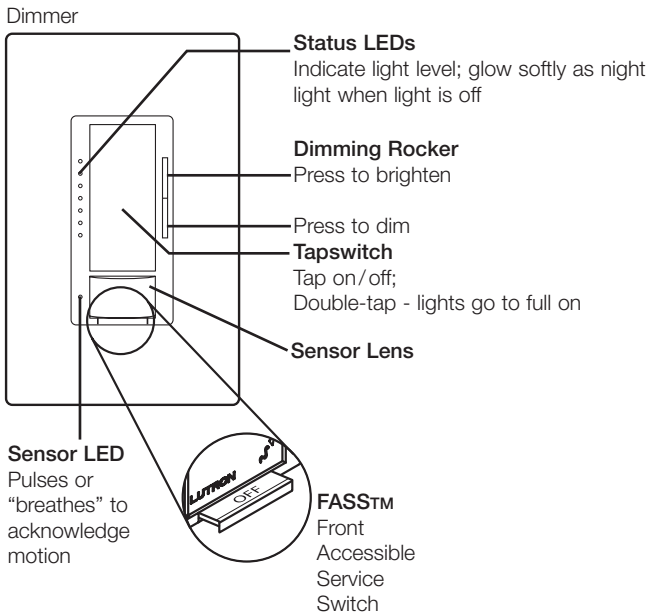


Sensor Placement and Operation

- The Sensor’s ability to detect motion requires line-of-sight of room occupants. The Sensor must have an unobstructed view of the room.
- Hot objects and moving air currents can affect the Sensor’s performance.
- The Sensor’s performance depends on a temperature differential between the ambient room temperature and that of room occupants. Warmer rooms may reduce the Sensor’s ability to detect occupants.
- When enabled, the Auto-On feature will turn the lights on when motion is detected regardless of the ambient light level in the space.

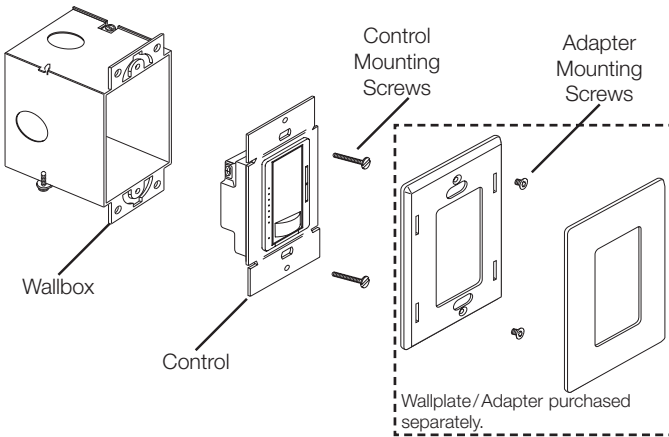
Job Name:	Model Numbers:
Job Number:	

Operation



IMPORTANT NOTICE:
FASS - Front Accessible Service Switch - to service load, remove power by pulling the *FASS* switch out completely on either the Dimmer or Companion Dimmer. After servicing load, push the *FASS* switch back in fully to restore power to the control.

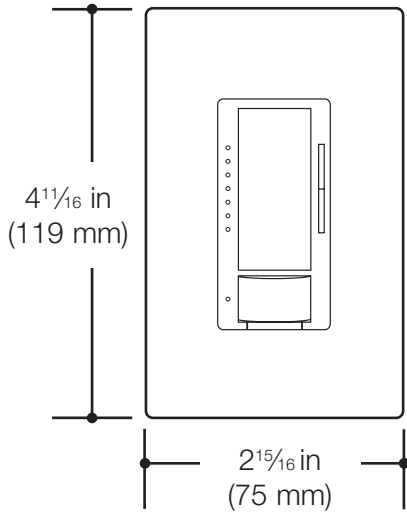
Mounting



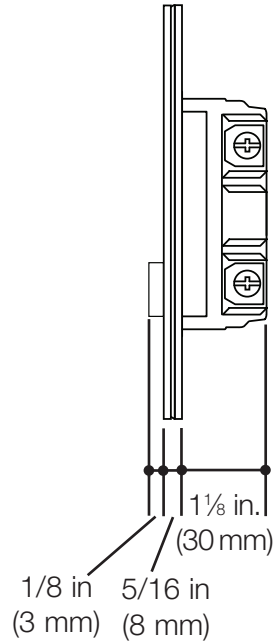
Job Name:	Model Numbers:
Job Number:	

Dimensions

Front View

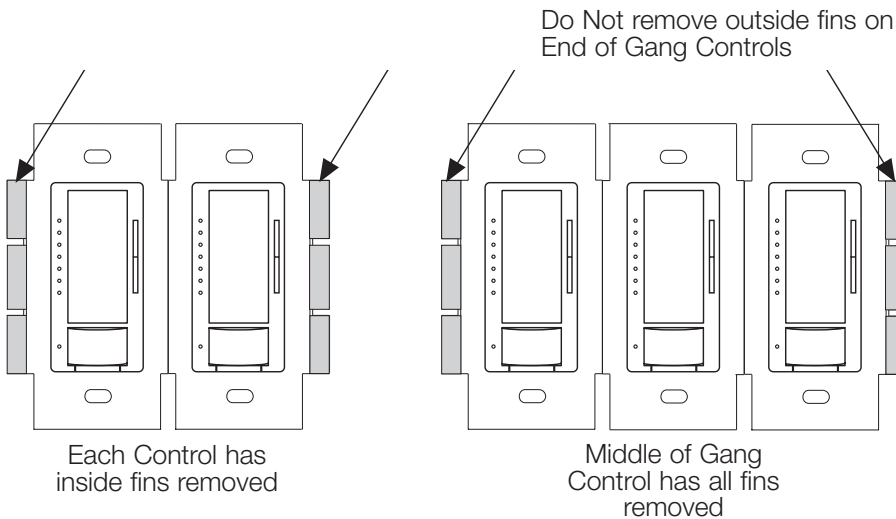


Side View



Ganging and Derating

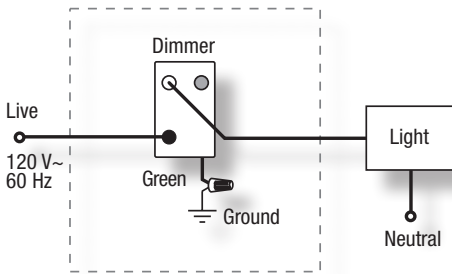
When ganging with other controls in the same wallbox, derating is required. See Load Type and Capacity chart.



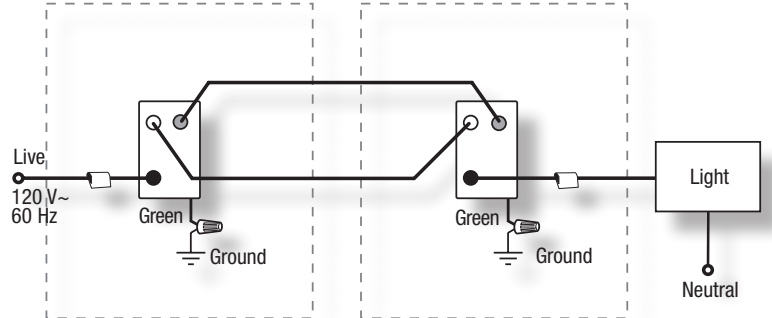
Job Name:	Model Numbers:
Job Number:	

Wiring Diagrams: Dimmer

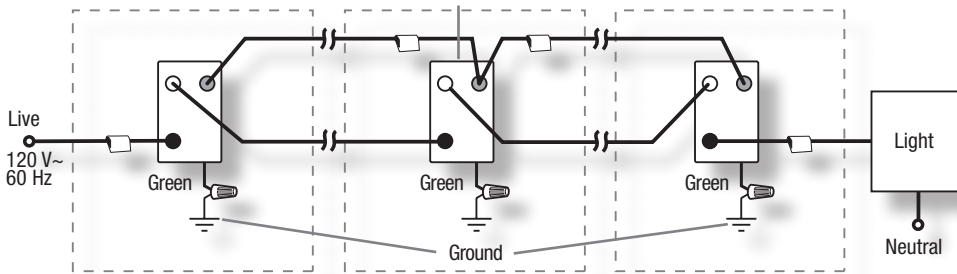
Single Location Installation



Three-Way Installation (one dimmer and one companion dimmer)

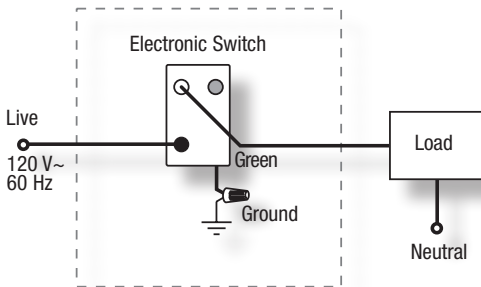


Four-Way Installation (one dimmer and remaining companion dimmers)

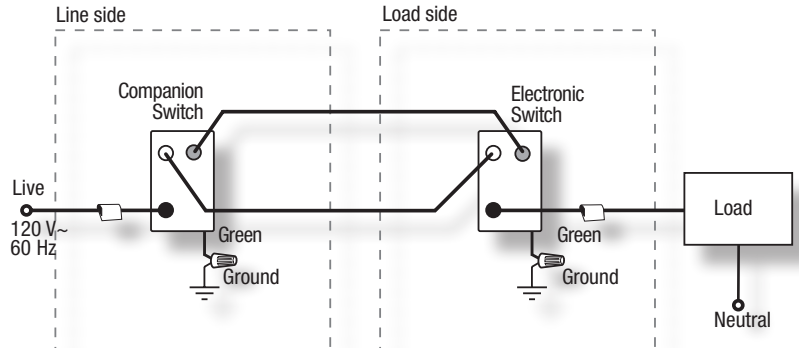


Wiring Diagrams: Switch

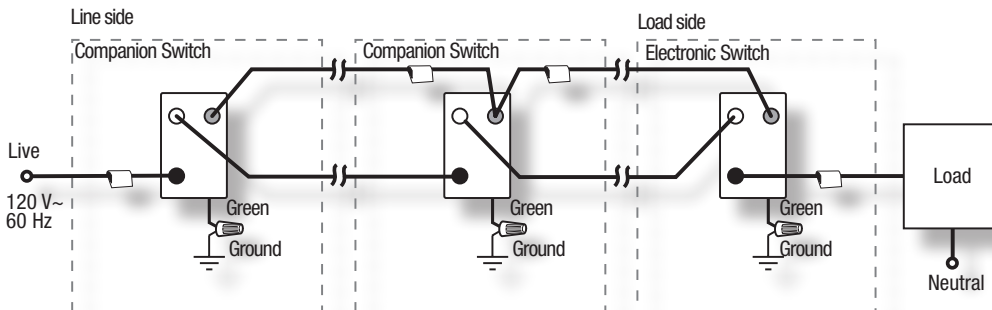
Single Location Installation



Three-Way Installation



Four-Way Installation



Job Name:	Model Numbers:
Job Number:	