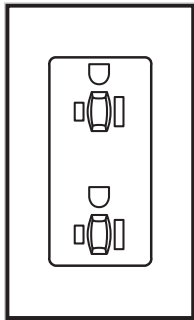
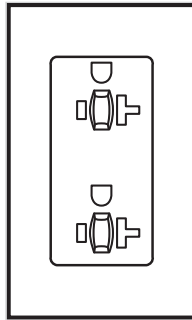


Receptacle and Plug for Dimming Use



NTR-15-DFDU-



NTR-20-DFDU-

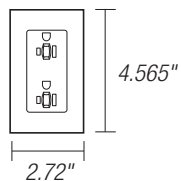
PRODUCT FEATURES



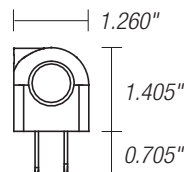
- Features on receptacle(s) for dimming use reject standard plugs
- Uses standard switched receptacle wiring. HFDU requires two separate live/hot feeds
- Clean, stylish appearance
- For use in single and multigang applications
- Available for use on 15A and 20A circuits
- Plug may be used with standard receptacles and with new receptacles designed for dimming use
- Plug is compatible with SPT-2 lamp cords
- Plug uses split-shell design for easy wiring and the ability to control cord exit direction
- Receptacle is two-pole, three-wire ground
- For use with portable lamp loads
- Receptacle mounts in a 1-gang U.S. wallbox
- Receptacle uses Lutron Nova T[☆] wallplates (for standard Designer style)
- No derating required

DIMENSIONS

Receptacles

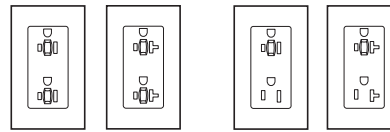


Plug



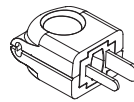
PRODUCTS

Receptacles



15A 20A 15A 20A
 Duplex for Dimming Use Half for Dimming Use

Plug

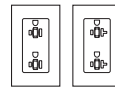


10A Replacement Plug for Dimming Use

Description	Maximum Capacity	Model #
-------------	------------------	---------

PRODUCTS

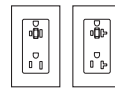
Receptacles



Duplex for Dimming Use

15A	NTR-15-DFDU-
20A	NTR-20-DFDU-

Note: The insert is permanently attached.

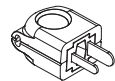


Half for Dimming Use

15A	NTR-15-HFDU-
20A	NTR-20-HFDU-

Note: The insert is permanently attached.

Plug



Replacement Plug for Dimming Use

10A	RP-FDU-10-
-----	------------

STANDARD COLORS/FINISHES

Receptacle Matte Finishes (Ships in 3-5 days)

Add color/finish suffix to model number to order. Example: NTR-15-DFDU-**WH**
 WH White BE Beige IV Ivory AL Almond
 LA Light Almond GR Gray TP Taupe SI Sienna
 BR Brown BL Black

Plug Matte Finishes (Ships in 3-5 days)

Add color/finish suffix to model number to order. Example: RP-FDU-10-**WH**
 WH White BR Brown

JOB NAME	AREA CONTROLLED
LOCATION	JOB NUMBER
TITLE	PAGE NO.

NOVA T[☆] Receptacle and Plug for Dimming Use

NOTES

- UL Listed for use only with the following products: GRAFIK[®] Lighting Control Systems, GRAFIK Eye[®] Lighting Control Systems, Hi-Power 2•4•6™ Dimming Modules, HomeWorks[®] Lighting Control Systems, HomeWorks Maestro[®] Dimmers, HomeWorks Vareo[®] Dimmers, Nova[®] Dimmers, Nova T[☆] Dimmers, Diva[®] Dimmers, Faedra™ Dimmers, Maestro[®] Dimmers, Qoto™ Dimmers, and RadioRA[®] Dimmers
- Receptacle fits in all wallplates with a Designer opening
- Plug is not intended to match receptacle and/or lamp cord color
- Not for use on extension cords
- Not compatible with all styles of floorboxes. Contact Lutron for compatible floorbox models
- If the hot and dimmed hot feeds to the HFDU are supplied from different circuits or split-wired, a means to simultaneously disconnect these circuits must be provided at the panelboard where they originate (NEC 210.7(C) 2002 Edition). A 2-pole circuit breaker or two single-pole circuit breakers with an approved handle tie can be used to accomplish this simultaneous disconnect. When using the HFDU with dimming panels, feed-through panels, which are those without circuit breakers, are recommended.
- HFDU models are not NOM certified.

POWER

- Receptacle: 120/125VAC, 50/60 Hz
15A or 20A as specified at 125VAC
- Plug: 120/125VAC, 50/60 Hz
10A at 125VAC

ENVIRONMENTAL

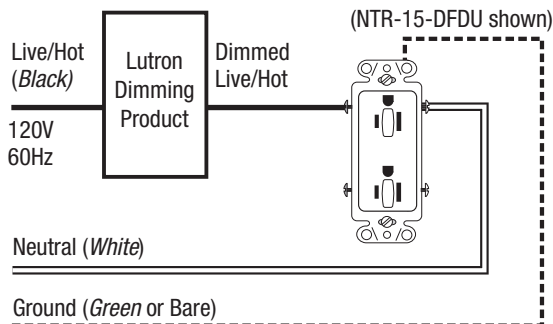
- Operating temperature: 32° to 104°F (0° to 40°C)

WIRING DIAGRAMS

Wiring Diagram 1 DFDU Receptacle Wiring

Model

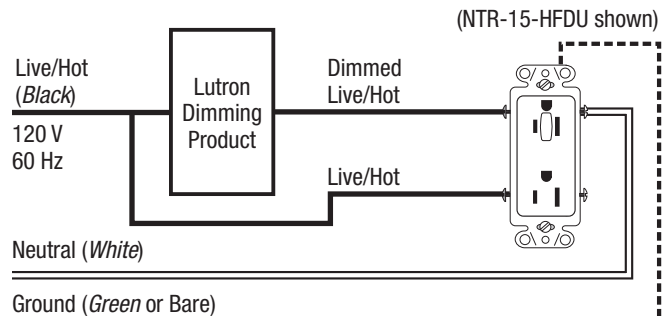
NTR-15-DFDU-
NTR-20-DFDU-



Wiring Diagram 2 HFDU Receptacle Wiring

Model

NTR-15-HFDU-
NTR-20-HFDU-



WORLDWIDE TECHNICAL AND SALES ASSISTANCE

If you have questions concerning the installation or operation of these products, call the Lutron Technical Support Center. Please provide exact model number when calling.

1-800-523-9466 (U.S.A., Canada and the Caribbean)

Other Countries call 1-610-282-3800

Fax 1-610-282-3090

Visit our web site at www.lutron.com

LIMITED WARRANTY

Lutron will, at its option, repair or replace any unit that is defective in materials or manufacture within one year after purchase. For warranty service, return unit to place of purchase or mail to Lutron at 7200 Suter Rd. Coopersburg, PA 18036-1299, postage prepaid.

THIS WARRANTY IS IN LIEU OF ALL OTHER EXPRESS WARRANTIES, AND THE IMPLIED WARRANTY OF MERCHANTABILITY IS LIMITED TO ONE YEAR FROM PURCHASE. THIS WARRANTY DOES NOT COVER THE COST OF INSTALLATION, REMOVAL OR REINSTALLATION, OR DAMAGE RESULTING FROM MISUSE, ABUSE, OR DAMAGE FROM IMPROPER WIRING OR INSTALLATION. THIS WARRANTY DOES NOT COVER INCIDENTAL OR CONSEQUENTIAL DAMAGES. LUTRON'S LIABILITY ON ANY CLAIM FOR DAMAGES ARISING OUT OF IN CONNECTION WITH THE MANUFACTURE, SALE, INSTALLATION, DELIVERY, OR USE OF THE UNIT SHALL NEVER EXCEED THE PURCHASE PRICE OF THE UNIT.

This warranty gives you specific legal rights, and you may have other rights which vary from state to state. Some states do not allow the exclusion or limitation of incidental or consequential damages, or limitation on how long an implied warranty may last, so the above limitations may not apply to you.