

9" LED COMMERCIAL RECESSED DOWNLIGHT RETROFITS



The commercial-grade LED Recessed Downlight Retrofit is supplied with a quick connect-case and conduit to make an easy connection to an existing recessed fixture frame junction box.

PROJECT NAME
CATALOG NUMBER
NOTES
FIXTURE TYPE

FEATURES:

- Universal voltage (120-277)
- Mounts into existing recessed frame
- Supplied with optional retaining clips if existing frame does not have adequate friction springs to secure reflector
- cETL listed for damp location use
- CRI: > 85
- PF: >.9
- A wide variety of CCTs available: 3000K and 4000K come standard 2700K and 5000K (contact MaxLite for quotations)
- Five year limited warranty
- Dimmable to 5% (120v only)



CONSTRUCTION:

- Supplied with a heavy gauge anodized aluminum reflector in a haze finish
- External driver for easy retrofit and maintenance
- Power supply features integral thermal protection



Accessories		
Order Number	Model Number	Description
73494	RR9-XWHTRING	9" EXTRA WIDE WHITE TRIM RING

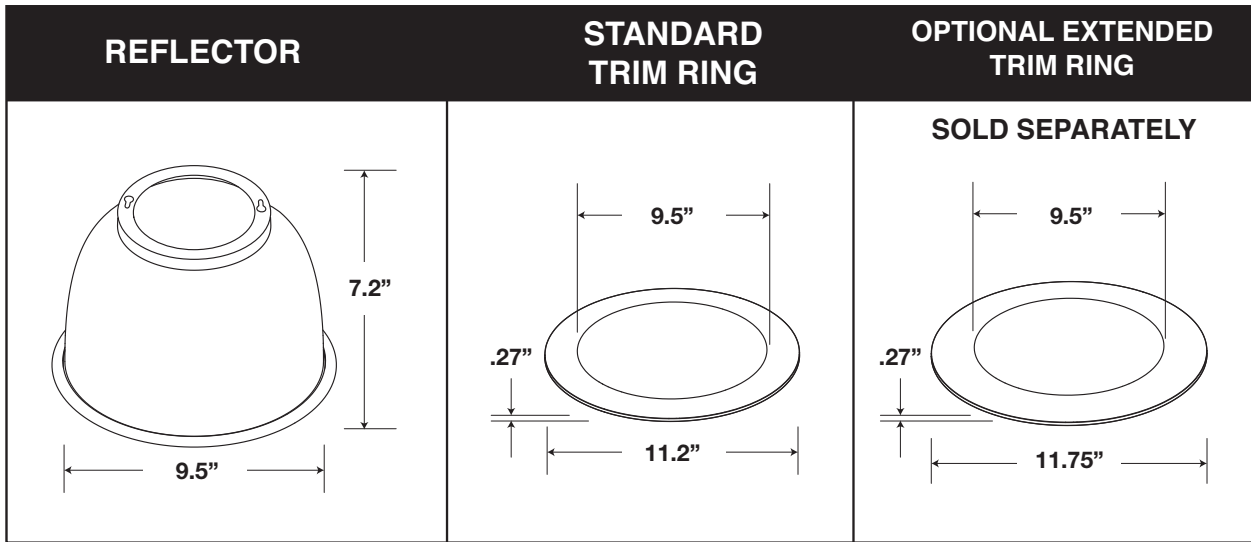
Luminaire Ordering Information:

Watts	Order Number	Model Number	Fluorescent Equivalent	Lumens	Lamp Life (Hrs.)	CCT
26	72600	RR92630W	2 X 18W PL	1355	50,000	3000
26	72611	RR92640W	2 X 18W PL	1545	50,000	4000
34	72612	RR93430W	2 X 26W PL	1925	50,000	3000
34	72613	RR93440W	2 X 26W PL	2085	50,000	4000

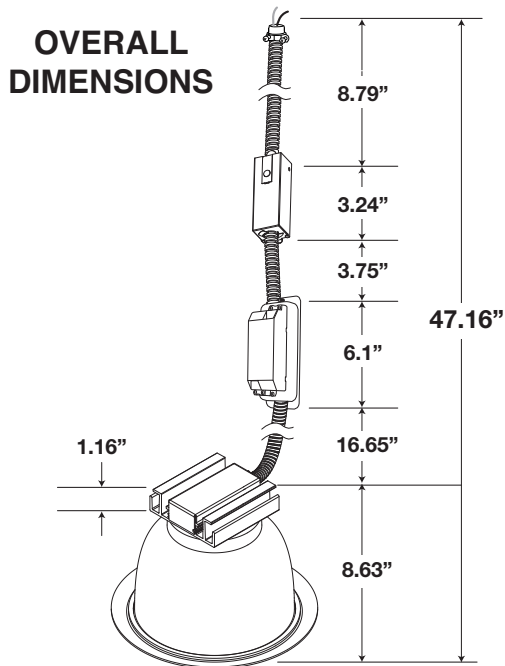
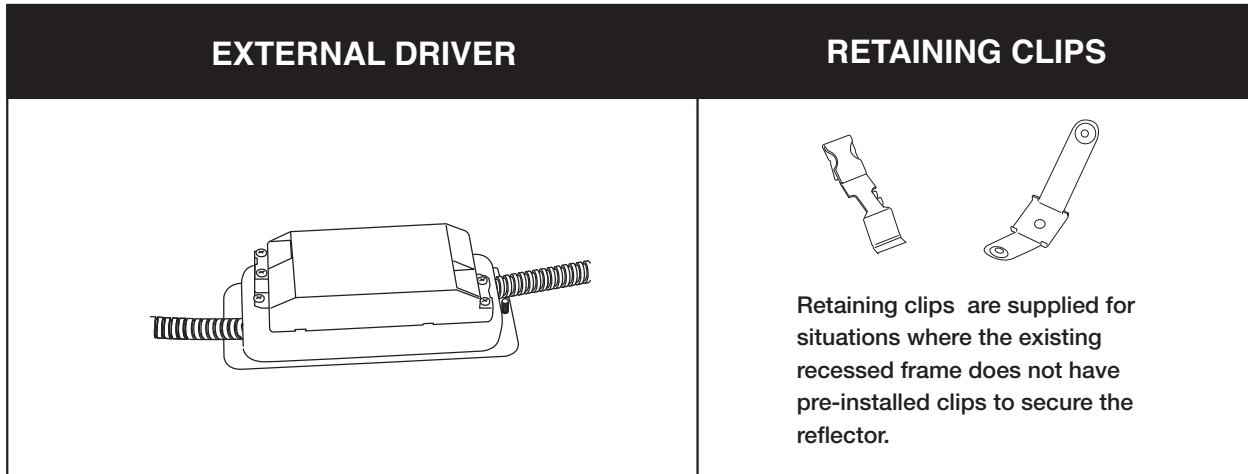
MAX13153



9" LED COMMERCIAL RECESSED DOWNLIGHT RETROFITS



PRODUCT FEATURES



COMPATIBLE DIMMERS:

MAKE	DIMMER MODEL
Lutron	CTCL-153PD*
Lutron	DVCL-153PL*
Lutron	CTELV-303P
Lutron	DVELV-303P
Lutron	LGCL-153PL*
Leviton	IPL10

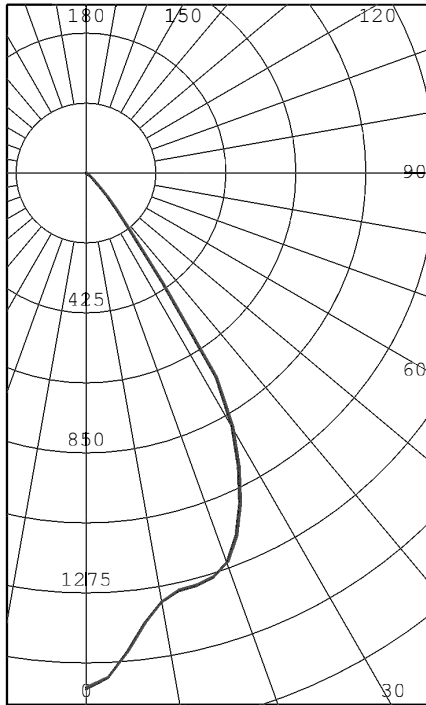
* Dimming control should be adjusted to 5% minimum light output level in order to avoid flickering. Please consult dimming control instruction manual for specific procedure.



9" LED COMMERCIAL RECESSED DOWNLIGHT RETROFITS



RR92630W



INTENSITY (CANDLEPOWER) SUMMARY

ANGLE	MEAN CP	LUMENS
0	1564	
5	1458	136
10	1322	
15	1296	365
20	1256	
25	1106	500
30	889	
35	406	282
40	147	
45	58	53
50	27	
55	15	14
60	9	
65	5	5
70	2	
75	1	1
80	0	
85	0	0
90	0	

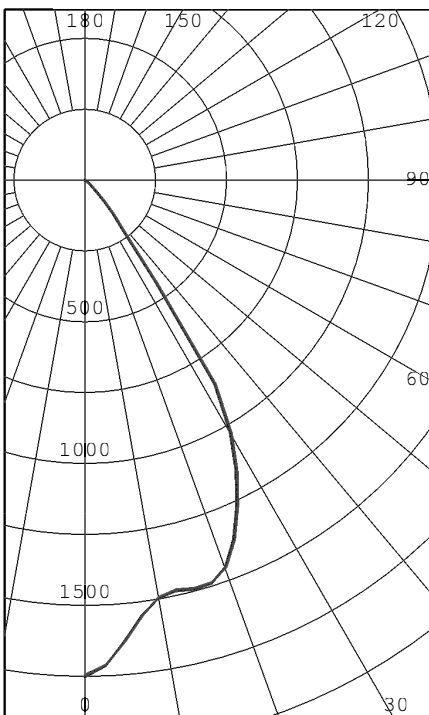
ZONAL LUMENS AND PERCENTAGES

ZONE	LUMENS	% LUMINAIRE
0-30	1001	73.83
0-40	1283	94.63
0-60	1350	99.55
0-90	1356	100.00
40-90	73	5.37
60-90	6	0.45
90-180	0	0.00
0-180	1356	100.00

LUMINANCE SUMMARY CD./SQ.M.

ANGLE	MEAN CD/SQ M
45	2017
55	638
65	275
75	89
85	0

RR92640W



INTENSITY (CANDLEPOWER) SUMMARY

ANGLE	MEAN CP	LUMENS
0	1748	
5	1632	153
10	1495	
15	1493	420
20	1452	
25	1271	576
30	1029	
35	440	317
40	157	
45	64	57
50	30	
55	17	16
60	10	
65	5	6
70	3	
75	1	2
80	0	
85	0	0
90	0	

ZONAL LUMENS AND PERCENTAGES

ZONE	LUMENS	% LUMINAIRE
0-30	1149	74.31
0-40	1466	94.83
0-60	1539	99.53
0-90	1546	100.00
40-90	80	5.17
60-90	7	0.47
90-180	0	0.00
0-180	1546	100.00

LUMINANCE SUMMARY CD./SQ.M.

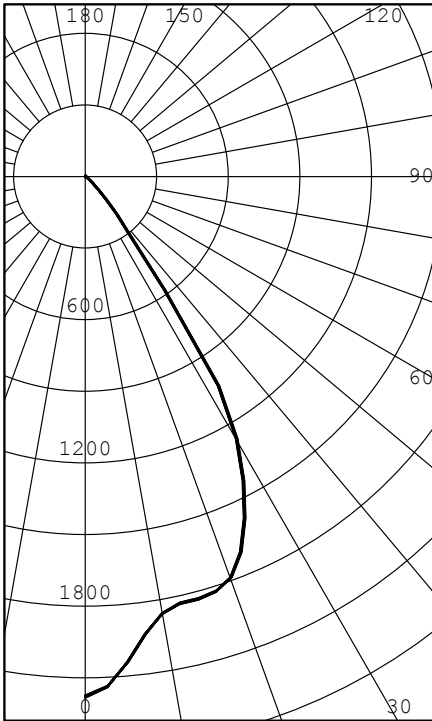
ANGLE	MEAN CD/SQ M
45	2200
55	715
65	315
75	126
85	0



9" LED COMMERCIAL RECESSED DOWNLIGHT RETROFITS



RR93430W



INTENSITY (CANDLEPOWER) SUMMARY

ANGLE	MEAN CP	LUMENS
0	2179	
5	2042	191
10	1859	
15	1833	517
20	1787	
25	1580	713
30	1269	
35	581	400
40	205	
45	82	74
50	39	
55	22	20
60	12	
65	7	7
70	4	
75	2	2
80	1	
85	0	0
90	0	

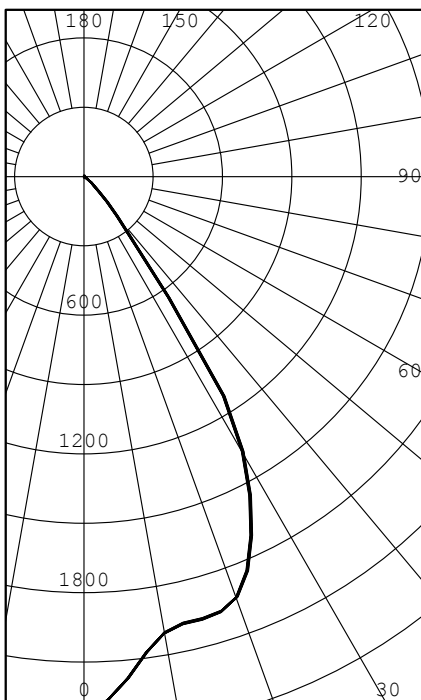
ZONAL LUMENS AND PERCENTAGES

ZONE	LUMENS	% LUMINAIRE
0-30	1421	73.80
0-40	1821	94.60
0-60	1916	99.50
0-90	1925	100.00
40-90	104	5.40
60-90	10	0.50
90-180	0	0.00
0-180	1925	100.00

LUMINANCE SUMMARY CD./SQ.M.

ANGLE	MEAN CD/SQ M
45	2839
55	920
65	411
75	188
85	0

RR93440W



INTENSITY (CANDLEPOWER) SUMMARY

ANGLE	MEAN CP	LUMENS
0	2309	
5	2179	205
10	2005	
15	1981	559
20	1936	
25	1713	773
30	1373	
35	640	436
40	224	
45	91	81
50	42	
55	24	22
60	14	
65	8	8
70	4	
75	2	2
80	1	
85	0	0
90	0	

ZONAL LUMENS AND PERCENTAGES

ZONE	LUMENS	% LUMINAIRE
0-30	1536	73.65
0-40	1972	94.54
0-60	2075	99.49
0-90	2086	100.00
40-90	114	5.46
60-90	11	0.51
90-180	0	0.00
0-180	2086	100.00

LUMINANCE SUMMARY CD./SQ.M.

ANGLE	MEAN CD/SQ M
45	3149
55	1003
65	449
75	207
85	0

