

## DESCRIPTION

The Ovation Series is a complete family of recessed direct/indirect luminaires featuring pleasant modern architectural styling, computer-designed optics and the latest energy efficient lamp and ballast technology. The luminaire combines a matte white indirect reflector and a perforated direct lamp shield to provide optimum brightness control. All components are located above the ceiling plane for a clean architectural appearance in the finished space. Carefully balanced design elements combine to provide an efficient and exciting alternative to traditional general lighting. Ovation is an excellent choice for a wide variety of commercial applications.

<b>Catalog #</b>		<b>Type</b>
<b>Project</b>		
<b>Comments</b>		<b>Date</b>
<b>Prepared by</b>		

## SPECIFICATION FEATURES

### A... Construction

Nominal 6" deep housing is die formed of code gauge, prime cold rolled steel. Heavy gauge end plates are securely attached with screws for strength and rigidity and the elimination of gaps. Four auxiliary fixture end suspension points are provided. KOs for continuous row wiring. Large access plate for supply connection.

### B... Electrical\*

Ballasts are CBM/ETL Class "P" and are positively secured. Biax models use 2G11 base lampholders with double edge wiping action pressure lock contacts and vertically oriented lamp support clips. T8 models use rotor-lock lampholders for positive lamp retention. UL/CUL listed. Suitable for damp locations.

### C... Ballast Access

Ballast can be removed from below without tools or from above using the unique ballast mounting/access plate.<sup>3</sup>

### D... Finish

Durable cold rolled steel with multistage, iron phosphate pretreatment and white enamel finish to ensure maximum bonding and rust inhibition.

### E... Reflectors

Indirect reflector has high reflectance baked matte white enamel finish for luminous uniformity. Positively retained direct lamp shield is constructed of heavy gauge perforated steel with high reflectance painted after fabrication finish and milky white overlay diffuser for visual comfort. All reflectors are precision formed in a computer-controlled operation.



**2RDI**  
128T8  
132  
228T8  
232  
328T8  
332

T1BX40, T2BX40  
T3BX40

T8 OR BIAXIAL LAMPS

2' X 4' Recessed  
Direct/Indirect  
Center-Mount

*Ovation™*

## ENERGY DATA

Input Watts:

**EB Ballast & STD Lamps**  
128T8 (28), 228T8 (49), 328T8 (98)  
132 (32), 232 (61), 332 (91),  
T1BX40 (70), T2BX40 (140),  
T3BX40 (210)  
T1BX50 (106), T2BX50 (212)  
T3BX50 (318)  
T1BX55 (110), T2BX55 (220)  
T3BX55 (330)

**LER = FL65**

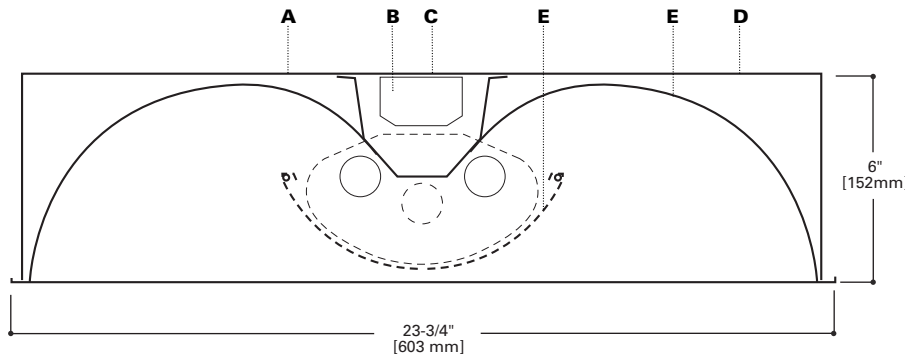
**Catalog Number: 2RDI-232RF**

**Yearly Cost of 1000 lumens,  
3000 hrs at .08 KWH = \$3.69**

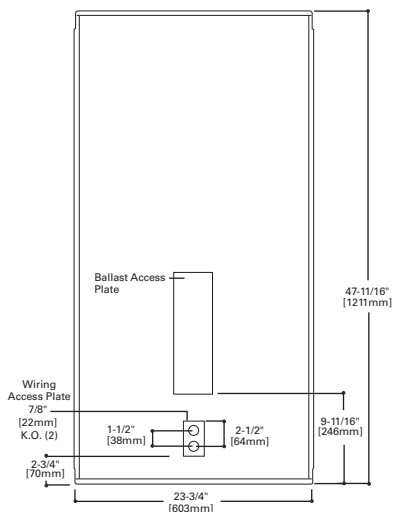
\*Reference the lamp/ballast data in the  
Technical Section for specific lamp/ballast  
requirements.

\*\*Consult Pre Sales Technical Support.

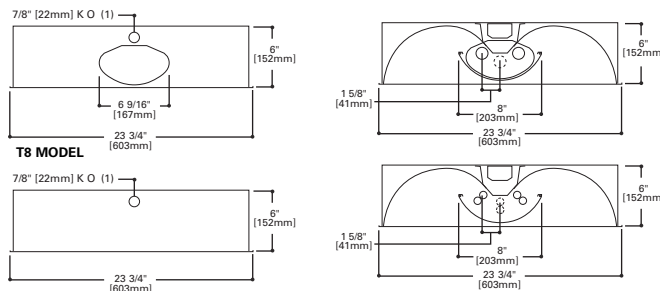
\*\*\*See Drywall Frame Kit Accessory



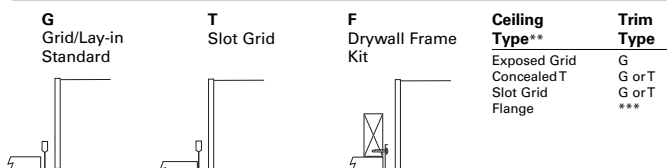
## MOUNTING DATA



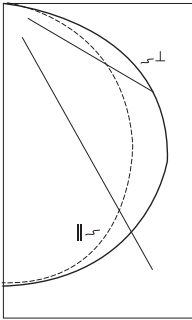
## LAMP CONFIGURATIONS



## CEILING COMPATIBILITY



PHOTOMETRICS



2RDI-232RP
Electronic Ballast
F032/830/XP3 Lamps
3100 Lumens

Spacing criterion:
(II) 1.2 x mounting
height, (L) 1.4 x
mounting height

Efficiency 70.7 %

Test Report:
2RDI232RPIES

LER = FL61

Yearly Cost of 1000
lumens, 3000 hrs at
.08 KWH = \$3.93

Coefficients of Utilization

Table with columns for Effective floor cavity reflectance (rc, rv, RCR) and rows for various mounting heights (0-10) and beam spreads (70, 50, 30, 10).

Zonal Lumen Summary

Table with columns: Zone, Lumens, %Lamp, %Fixture. Rows for zones 0-30, 0-40, 0-60, 0-90, 0-180.

Luminance Data

Table with columns: Angle in Deg, Average 0-Deg cd/sm, Average 45-Deg cd/sm, Average 90-Deg cd/sm. Rows for angles 0-30, 0-40, 0-60, 0-90, 0-180.

Candela

Table with columns: Angle, Along II, 45°, Across. Rows for angles 0, 5, 10, 15, 20, 25, 30, 35, 40, 45, 50, 55, 60, 65, 70, 75, 80, 85, 90.

ORDERING INFORMATION

SAMPLE NUMBER: 2RDI-232RP-120V-EB51-U

Ordering options including Rating Blank, Width, Series, Lamp Position, Wattage, Lamp Shield, Voltage, Ballast Type, Options, Packaging, Accessories, and Shipping Information.

NOTES: (1) 2' x 2' and 2' x 4' Center Lamp Shield models only. (2) Products also available in non-US voltages and frequencies for international markets.

For complete product data, reference the Fluorescent Specification binder. Specifications & dimensions subject to change without notice.

