

DESCRIPTION

The accord™ redefines fluorescent lighting by improving on aesthetics, comfort and energy savings. The accord™ provides the right amount of light while eliminating surface shadows commonly found in parabolics. Therefore, accord™ increases the comfort level while providing significant energy savings.

The accord™ is the ideal solution for offices, schools, hospitals, retail and other applications.

Catalog #		Type
Project		
Comments		Date
Prepared by		

SPECIFICATION FEATURES

A... Construction

Shallow 3-1/4" deep housing is die formed of code gauge, prime cold rolled steel. Heavy gauge end plates are securely attached with screws for strength and rigidity and the elimination of gaps. Four auxiliary fixture end suspension points are provided. KOs for continuous row wiring. Large access plate for supply connection.

B... Electrical*

Ballasts are Class "P" and are positively secured. Rotor-lock lampholders ensure positive lamp retention. UL/CUL listed. Suitable for damp locations.

C... Ballast Access

Ballast can be removed from below without tools.

D... Finish

Durable cold rolled steel with multistage, iron phosphate pre-treatment and white enamel finish to ensure maximum bonding and rust inhibition.

E... Reflectors

Reflector has high reflectance baked matte white enamel finish for luminous uniformity.

F... Shielding

Positively retained frosted acrylic profile lenses provide a soft but effective distribution of light.

G... Air Return

Optional Air Return model provides air flow through air slots in the housing.

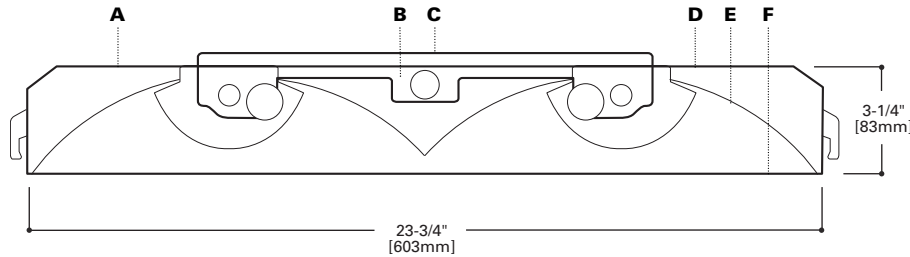


2AC
228T5
254T5

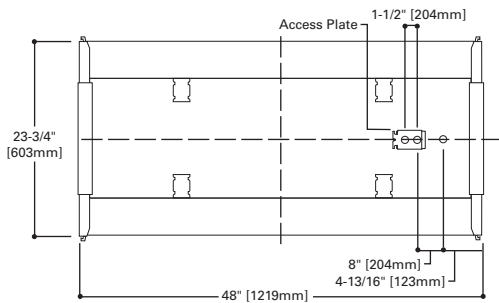
T5 LAMPS

2' x 4' Recessed
Troffer Series

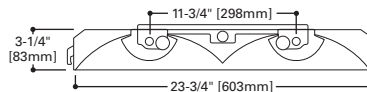
accord™
T5/T8 Enhanced Lighting Series



MOUNTING DATA



LAMP CONFIGURATIONS



ENERGY DATA

Input Watts:

EB Ballast & STD Lamps @ 277V
228T5 (58)
254T5 (106)

Luminaire Efficacy Rating
LER = FL75 LPW

Catalog Number: 2AC-228T5

**Yearly Cost of 1000 lumens,
3000 hrs at .08 KWH = \$2.99**

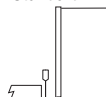
*Reference the lamp/ballast data in the Technical Section for specific lamp/ballast requirements.

**Consult Pre Sales Technical Support.

***See Drywall Frame Kit Accessory

CEILING COMPATIBILITY

G
Grid/Lay-in
Standard



F
Drywall Frame
Kit



Ceiling Type**
Exposed Grid
Concealed T
Slot Grid
Flange

Trim Type
G
G or T
G or T

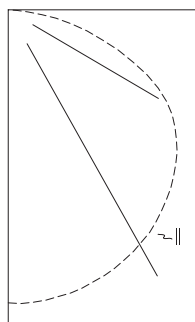
LAMPS CONTAIN MERCURY. DISPOSE ACCORDING TO LOCAL, STATE OR FEDERAL LAWS

LINEAR DISCONNECT

Safe and convenient means of disconnecting power.



PHOTOMETRICS



2AC-228T5-UNV-EBT1 Candlepower
 Electronic Ballast
 (2) F28T5 Lamps
 2600 Lumens
 Spacing criterion:
 (II) 1.3 x mounting
 height, (⊥) 1.5 x
 mounting height
 Efficiency 87.9%
 Test Report:
 2AC-228T5-UNV-
 EBT1.IES
 LER = FL75 LPW
 Yearly Cost of 1000
 lumens, 3000 hrs at
 .08 KWH = \$2.99

Angle	Along II	45°	Across ⊥
0	1407	1407	1407
5	1399	1404	1410
10	1381	1390	1399
15	1351	1367	1382
20	1308	1334	1358
25	1253	1292	1326
30	1188	1241	1287
35	1113	1182	1242
40	1029	1115	1189
45	938	1042	1129
50	840	961	1061
55	735	874	983
60	625	779	880
65	509	676	736
70	389	547	565
75	267	392	393
80	153	240	235
85	60	100	98
90	0	0	0

Coefficients of Utilization

rc rw RCR	Effective floor cavity reflectance																							
	80%				70%				50%				30%				10%				0%			
	70	50	30	10	70	50	30	10	50	30	10	50	30	10	50	30	10	50	30	10	0			
0	105	105	105	105	102	102	102	102	98	98	98	93	93	93	90	90	90	88						
1	95	90	86	83	92	88	85	81	85	82	79	81	79	76	78	76	74	72						
2	86	78	72	66	83	76	71	66	73	68	64	70	66	63	68	64	61	59						
3	78	68	60	54	76	67	60	54	64	58	53	61	56	52	59	55	51	49						
4	71	60	52	46	69	59	51	45	56	50	45	54	49	44	52	47	43	41						
5	65	53	45	39	63	52	45	39	50	44	38	49	43	38	47	42	37	35						
6	60	48	40	34	58	47	39	34	45	38	33	44	38	33	42	37	33	31						
7	55	43	35	30	54	42	35	30	41	34	29	40	34	29	39	33	29	27						
8	52	39	32	26	50	39	31	26	37	31	26	36	30	26	35	30	26	24						
9	48	36	29	24	47	35	28	23	34	28	23	33	27	23	33	27	23	21						
10	45	33	26	21	44	33	26	21	32	25	21	31	25	21	30	25	21	19						

Zonal Lumen Summary

Zone	Lumens	%Lamp	%Fixture
0-30	1115	21.4	24.4
0-40	1854	35.6	40.6
0-60	3431	66.0	75.1
0-90	4569	87.9	100.0
0-180	4569	87.9	100.0

Luminance Data

Angle in Deg	Average 0-Deg cd/sm	Average 45-Deg cd/sm	Average 90-Deg cd/sm
45	1900	2111	2487
55	1836	2183	2455
65	1725	2291	2495
75	1478	2170	2175
85	986	1644	1611

ORDERING INFORMATION

SAMPLE NUMBER: 2AC-228T5-UNV-EBTN-U

Rating
Blank=
 Standard
 NY=New York
 Rated
 ATW-SW4=
 Chicago
 Rated

Width
 2=2' Width

Series
 AC=Accord Series

Type
 A=Air (optional)

Number of Lamps
 (Not included)
 2=2 Lamp

Wattage (Length)
 28T5=28WT5 (48")
 54T5=54WT5HO (48")

Shielding
Blank=Frosted Acrylic
 (standard)
SQP=Lens with Square
 Pattern Insert
RDP=Lens with Round
 Pattern Insert

Voltage⁽¹⁾
 UNV=Universal Voltage
 120-277

Options
 GL=Single Element Fuse
 GM=Double Element Fuse
 Flex=Flex installed
 EL=Emergency Installed

Lamps
 L5835=T5 Lamp, 3500K
 L5841=T5 Lamp, 4100K
 L5835HL=T5 Lamp, 28W, 3500K, 2900 Lumens
 L5841HL=T5 Lamp, 28W, 4100K, 2900 Lumens

Ballast Type⁽¹⁾
EBT_=T5/T5HO Electronic
 Program Rapid Start.
 Total Harmonic Distortion
 < 10%. Standard Ballast
 Factor=1.0

Ballast/FactorType
EBT_N=T5/T5HO Electronic ⁽²⁾
 Program Rapid Start.
 Total Harmonic Distortion
 < 10%. Normal Ballast
 Factor=.90

EBT_H=T5/T5HO Electronic ^{(2) (5)}
 Program Rapid Start.
 Total Harmonic Distortion
 < 10%. High Ballast
 Factor=1.15

EBT_NDIM=T5/T5HO Electronic ^{(3) (4)}
 Program Rapid Start.
 Total Harmonic
 Distortion < 10%. Step
 Dimming, Normal
 Ballast Factor=.95-1.0

EBT_HDIM=T5/T5HO Electronic ⁽³⁾
 Program Rapid Start.
 Total Harmonic
 Distortion < 10%. Step
 Dimming, High
 Ballast Factor=1.15

Packaging
 U=Unit Pack
 PALC=Job
 Pack, in carton

Number of Ballasts
 1=1 Ballast
 2=2 Ballasts

NOTES: ⁽¹⁾ Products also available in non-US voltages and frequencies for international markets. ⁽²⁾ .90 and 1.15 ballast factor available for 2 or 3 28WT5 lamps only. ⁽³⁾ Step dimming ballast available for 2 or 3 lamp 14WT5 lamps only. ⁽⁴⁾ 1 lamp step dimming ballast in a normal ballast factor not available. 2 lamp ballast will not operate 1 lamp. ⁽⁵⁾ 1 lamp ballast in a high ballast factor not available.

For complete product data, reference the Fluorescent Specification binder. Specifications & dimensions subject to change without notice. Consult your Cooper Lighting Representative for availability and ordering information.

ACCESSORIES

T3A END E.Q. BRACKET PARTS BAG

SHIPPING INFORMATION

Catalog No.	Wt.
2AC-228T5	28 lbs.
2AC-254T5	28 lbs.