

DESCRIPTION

A return to simplicity, elegance and minimalism. ... Slender lines of light set in an architectural environment are the essence of Straight and Narrow. This series accommodates most architectural lighting design applications.

Features:

- Straight and Narrow embodies Neo-Ray's critical attention to architectural detail as well as lighting performance
- Extruded aluminum housing offers precise in-line appearance
- Runs are provided to nearest foot

| | | |
|-------------|--|------|
| Catalog # | | Type |
| Project | | |
| Comments | | Date |
| Prepared by | | |

SPECIFICATION FEATURES

Construction

Extruded aluminum housing. Nominal 3', 4', 6', 8' fixtures.

Shielding

Trimless, snap-in, satin white acrylic diffuser. Snap-in, high performance, semi-specular parabolic louver.

Electrical

120, 277, 347 or Universal Voltage electronic ballast. Fixtures and electrical components certified to UL and CUL standards.

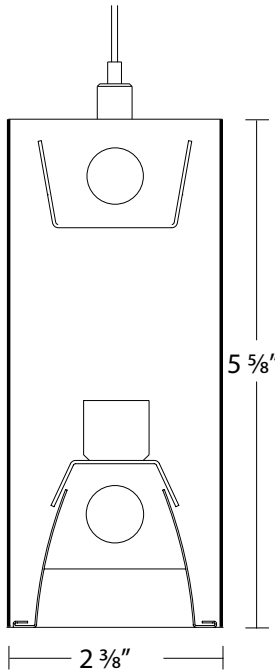
Finish

Durable, low gloss, white, powder coated acrylic. Optional custom finish.

Mounting

Pendant with adjustable single cable and rectangular canopy.

- SC = Single Cable
- SCETG = SC on ETG
- SCSTG = SC on STG
- SCFTG = SC on FTG
- SCSR = SC on SR
- Standard cable length 48"



22DIP with semi-specular parabolic louver (S91) down, open (up)

22DIP Straight & Narrow

Gen I
1T5
1T5HO

Suspended
Direct-Indirect

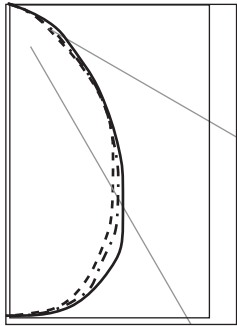
ORDERING INFORMATION

Sample Number: S22DIP-1x1T5-R-SCETG-UEB-SI-EM-GLR-S92

| | | | | | | |
|--|---|--|--|--|---|-----------------------------|
| Series 22: Straight & Narrow | Mounting P: Pendant | Lamp Type T5 T5HO | Mounting Type SC: Single Cable SCETG: SC on ETG SCSTG: SC on STG SCFTG: SC on FTG SCSR: SC on SR | Voltage 1: 120V 2: 277V U: Universal | Switching SI: Single Switching DU: Dual Switching (2 lamps - DIP only) | Fusing GLR GMF |
| Light Output DI: Direct/Indirect | Number of Lamps (Not included) 1x1: 1 Lamp up / 1 Lamp down | Individual or Run D: Individual R: Continuous Run | Ballast 1, 2, 3 EB: Electronic Ballast (Standard) DB: Dimming Ballast | Emergency 1, 2, 3 EM: Emergency Pack (Consult Factory) | Shielding S91: High Performance Louver S91P: High Performance Louver with acrylic overlay S91W: White Painted Louver S91WP: White Painted Louver with acrylic overlay S92: Satin white lens | |

- Notes: 1 Required Voltage Information.
2 For some electronic, dimming and EM battery pack ballast combinations, fixture has space limitation (consult factory).
3 Due to various constraints, some options may not be combined with others. Please consult your COOPER Lighting representative for additional information.

PHOTOMETRICS



22DP
 1T5 lamp with
 White Louver (S91W)
 Efficiency 60.0%
 Test#13401

0
 45 - - - - -
 90 - · - · -
 - - - - -

Zonal Lumen Summary

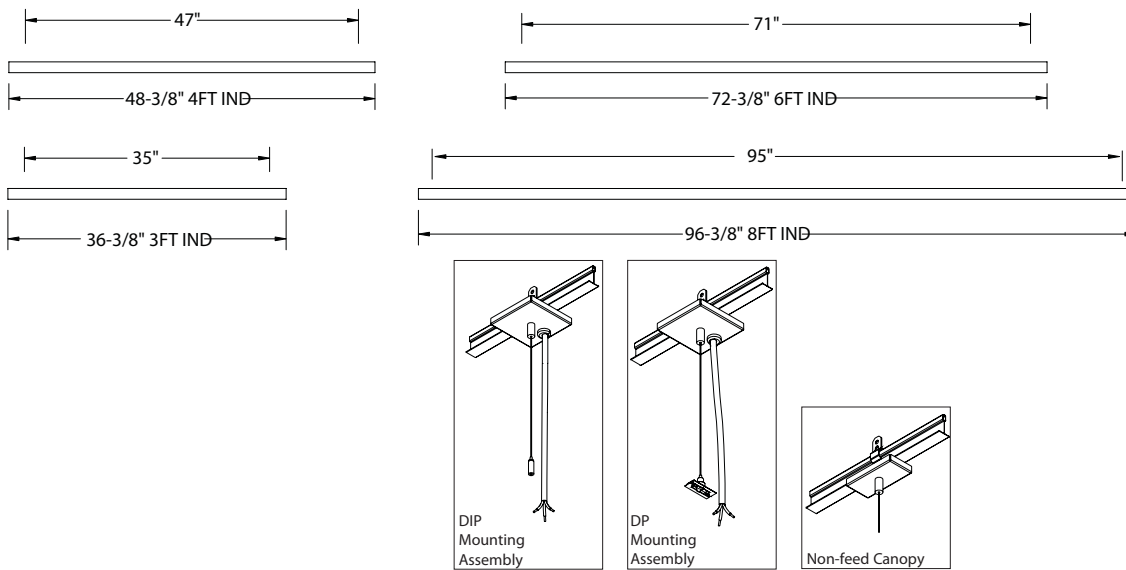
| Zone | Lumens | %Lamp | %Fixture |
|-------|--------|-------|----------|
| 0-30 | 716 | 24.7 | 41.2 |
| 0-40 | 1080 | 37.3 | 62.1 |
| 0-60 | 1560 | 53.8 | 89.6 |
| 0-90 | 1741 | 60.0 | 100.0 |
| 0-180 | 1741 | 60.0 | 100.0 |

Total Luminaire Efficiency = 60.0%

Candela

| Angle | Along \parallel | 45° | Across \perp |
|-------|-------------------|-----|----------------|
| 0 | 975 | 975 | 975 |
| 5 | 969 | 969 | 972 |
| 15 | 902 | 926 | 941 |
| 25 | 747 | 777 | 822 |
| 35 | 561 | 582 | 600 |
| 45 | 370 | 382 | 397 |
| 55 | 167 | 207 | 235 |
| 65 | 99 | 104 | 126 |
| 75 | 54 | 54 | 56 |
| 85 | 14 | 14 | 14 |
| 90 | 0 | 0 | 0 |

MOUNTING INFORMATION



FEATURES AND OPTIONS

OPTICAL OPTIONS



SERIES COMPANION PRODUCTS (Reference other spec sheets if necessary)

