

DESCRIPTION

A return to simplicity, elegance and minimalism ... Slender lines of light set in an architectural environment are the essence of Straight and Narrow. This series accommodates most architectural lighting design applications. Generation II enhancements and new features:

- Extruded housing offers precise in-line appearance and enhanced rigidity
- Staggered lamping minimizes socket shadow
- Flush and regressed lay in lens provides clean look and easy maintenance
- Unique snap in louver design for easy installation and better retention

Catalog #		Type
Project		
Comments		Date
Prepared by		

SPECIFICATION FEATURES

Construction

Extruded aluminum housing. Nominal 3', 4', 6' or 8' fixtures.

Shielding

Trimless lay-in white, high transmission or regressed acrylic diffuser. Snap-in, high performance, parabolic louver with or without overlay.

Electrical

120, 277, 347 or Universal Voltage electronic ballast. Fixtures and electrical components certified to UL and CUL standards. Damp Location listing available.

Downlight

20W or 35W MR16 fixed or adjustable available

Finish

Durable, low gloss, white, powder coated acrylic. Optional custom finish.

Mounting

Recessed:
 (ETG) 15/16" Exposed T-grid
 (STG) 9/16" Screw Slot Grid
 (SR) Sheet Rock (Flanged)
 (FSR) Sheet Rock (Flangeless)
 (FTG) 9/16" Exposed T-grid



23DR Straight & Narrow Gen II

Individual

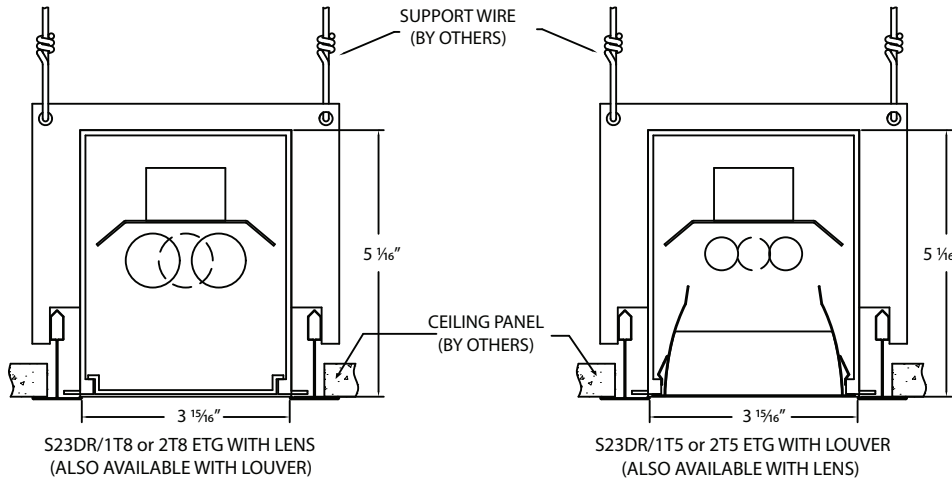
1 & 2 T5
1 & 2 T5HO
1 & 2 T8

Recessed

Direct

Light Distribution:

Indirect = 0%
Direct = 100%



ORDERING INFORMATION

SAMPLE NUMBER: 23DR-1T5-ETG-4-UEB-SI-S23R

23	D																			
Series 23 = Straight & Narrow	Light Output D = Direct	Mounting R = Recessed RDL = Recessed with Downlight	Lamp Type T5 T5HO T8	Length ² 3 = 3 ft 4 = 4 ft 6 = 6 ft 8 = 8 ft	Voltage 1 = 120V 2 = 277V 3 = 347V U = Universal	Ballast EB = Electronic Ballast DB = Dimming Ballast	Switching Options SI = Single Switching DU = Dual Switching	Emergency ¹ EM = Emergency Pack EC = Emergency Circuit	Fusing GLR GMF	Downlight Options (2) MR16 F = Up to 35W (fixed) (2) MR16A = Up to 35W (adjustable)	Number of Lamps (not included) 1 = 1 Lamp 2 = 2 Lamps	Ceiling Type ETG = 15/16" exposed T-grid STG = Slot T-grid SR = Sheet Rock (Flanged) FSR = Sheet Rock (Trimless) FTG = 9/16" exposed T-grid	Electronic Dimming Ballast Options 1 = Lutron 3 wire line voltage 1% dimming 2 = Lutron 3 wire line voltage 10% dimming 3 = Lutron Eco System Bus 1% dimming 4 = Lutron Eco System Bus 10% dimming 5 = 0-10 Volt dimming 6 = Hot & Neutral line voltage dimming 7 = 2 step dimming	Shielding Options S90 = High performance louver S90P = High performance louver with acrylic overlay S90W = White painted louver S90WP = White painted louver with acrylic overlay S93 = Satin white lens S93HT = High transmission lens S23R = Satin white regress lens ³	Optional Accessory (Downlight only) F1 = Hex Cell Louver F2 = Prismatic Spread Lens F3 = Linear Spread Lens F4 = Milk White Lens					

¹ Required voltage information.

• Standard EM Pack is for 1 lamp
 • For some electronic, dimming and EM battery pack ballast combinations, fixture has space limitation (consult factory).
 • For dimming, specify ballast option

• Due to various constraints, some options may not be combined with others. Please consult your COOPER Lighting representative for additional information.

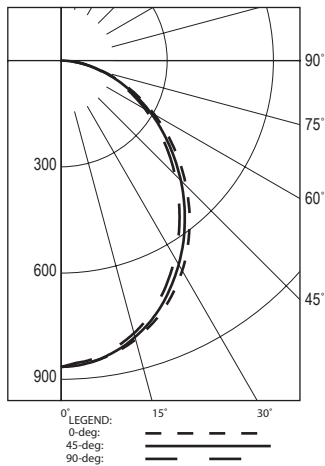
² Individual fixtures cannot be combined into runs

• Acrylic lenses will be slightly shorter than housing length at ambient temperature in order to compensate for normal thermal expansion during operation

³ Regress lens not available with T5HO lamping

23DR

S23DR-1T5-S93HT



Zonal Lumen Summary

Zone	Lumens	%Lamp	%Fixt
0-30	640.19	22.10	30.40
0-40	1018.79	35.10	48.40
0-60	1702.2	58.70	80.80
0-90	2105.97	72.60	100.00
0-180	2105.97	72.60	100.00

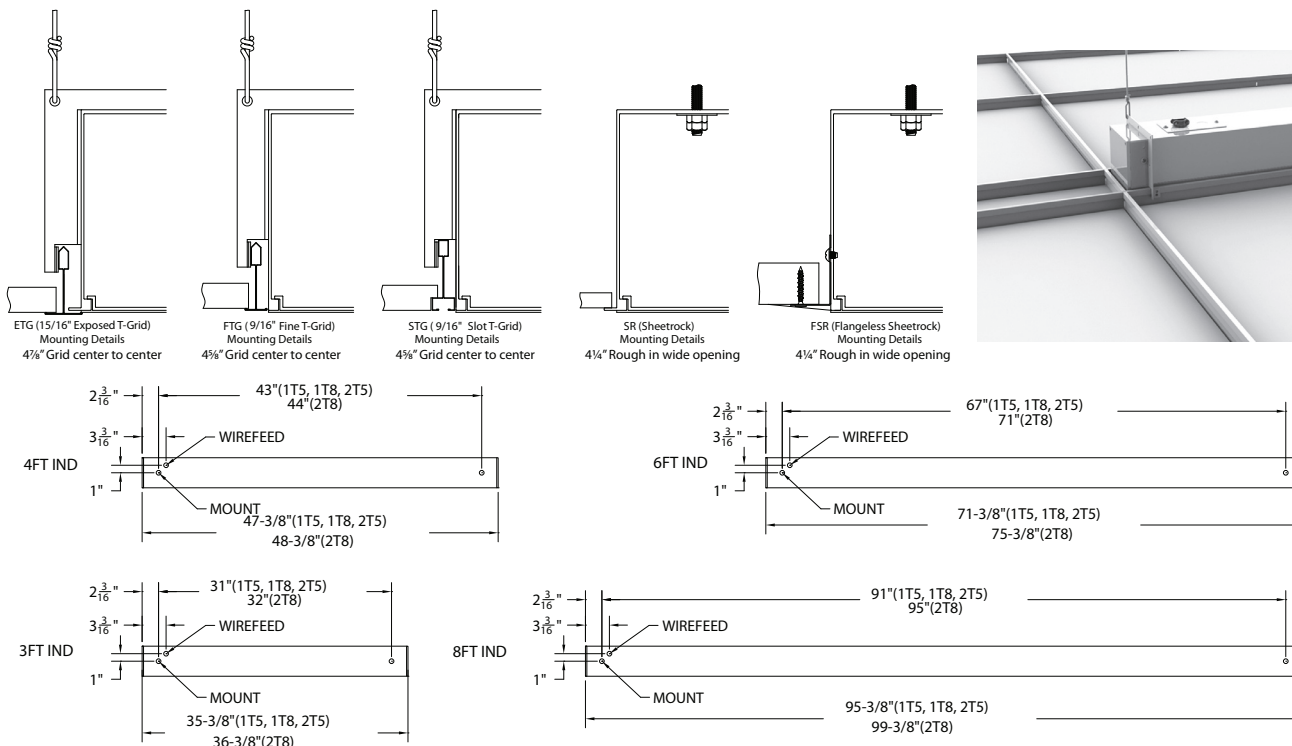
Total Luminaire Efficiency = 72.60%

(1) T5 Lamp
 S92HT - High Transmission Lens
 White Painted Upper Reflector
 White Painted Optic Chamber
 Efficiency: 72.60%
 Report#: P30310

Candela

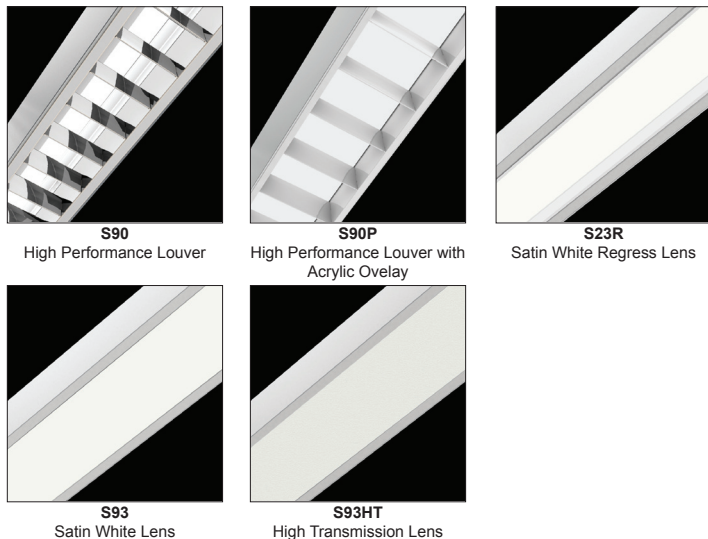
Angle	Straight & Narrow - Gen II ^{23DR}		
	0	45	90
0	1243	1243	1243
5	1235	1232	1221
10	1210	1203	1187
15	1171	1156	1136
25	1054	1023	990
35	895	854	812
45	713	672	630
55	526	491	458
65	347	324	303
75	186	176	166
85	56	51	49
90	0	0	0

MOUNTING INFORMATION

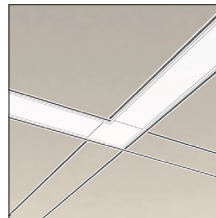


FEATURES AND OPTIONS

SHIELDING OPTIONS



CORNER



DOWNLIGHT OPTIONS

