

DESCRIPTION

Let the AL-COVE from Neo-Ray be the architectural element that provides both form and function. The low-profile, crisp aluminum extrusion serves as the cove, while the T5 or T5HO optics provide uniform, indirect illumination for office and corridor applications. Fixture size is only 6-1/2" wide X 1-3/4" height.

Catalog #		Type
Project		
Comments		Date
Prepared by		

SPECIFICATION FEATURES

A ... Construction

Aluminum extrusion.
8', 6', 4' and 3' nominal housing lengths.

B ... Reflector

Semi-specular aluminum and white steel assembly.

C ... Electrical

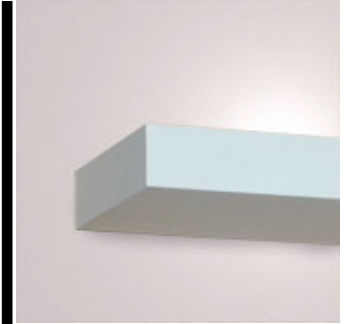
120, 277, 347 or Universal Voltage electronic ballast. Fixtures and electrical components certified to UL and CUL standards.

D ... Finish

Durable, low gloss, white, bake on powder coated acrylic finish.

E ... Mounting

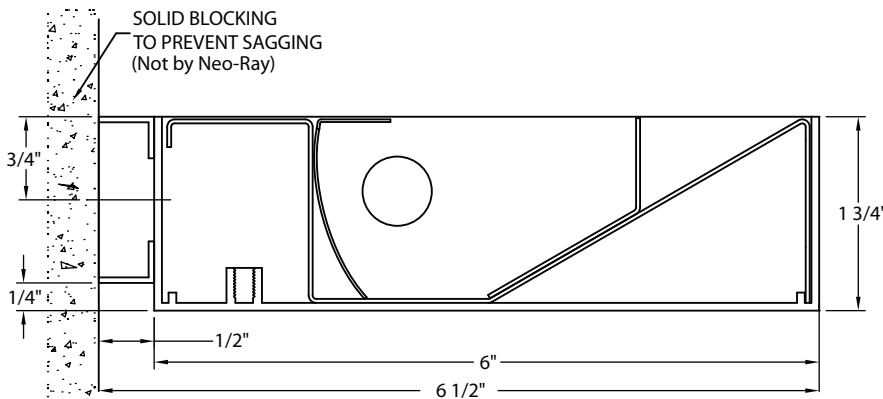
Wall



AL-COVE 74IW

1 T5
1 T5HO

Light Distribution:
Indirect - 100.0%
Direct - 0.0%



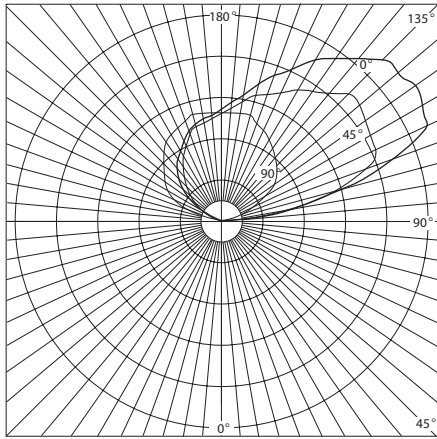
ORDERING INFORMATION

Sample Ordering information: **74IW/1T5/12/UEB-SI-EM-GMF**

Series 74	Light Output I= Indirect	Mounting W=Wall	Number of Lamps 1 = 1 Lamp	Lamp Type T5 = T5 T5HO = T5HO	Run Length ____ FT	Voltage 1 = 120V 2 = 277V 3 = 347V U = Universal	Ballast EB = Electronic Ballast DB = Dimming Ballast	Switching Options SI = Single Switching DU = Dual Switching	Emergency EM = Emergency Pack	Fusing GLR = GLR GMF = GMF
--------------	-----------------------------	--------------------	-------------------------------	-------------------------------------	-----------------------	--	--	---	----------------------------------	----------------------------------

- * Standard Fixtures lengths 3', 4', 6' & 8'
- * Custom fixtures lengths available
- * Runs built using 3', 4', 6' & 8' sections (See Page 2)
- * 90° and 135° inside/outside non-illuminated standard corners available for "L" shaped patterns
- * 90° and 135° inside/outside non-illuminated standard corners available closed patterns

PHOTOMETRICS



74IW-1T5
 (1) FP28WT5/835
 2900 Lumens
 Efficiency 85.3%
 Test Report
 #11552.0

Coefficients of Utilization

rc	Effective floor cavity reflectance									
	80%			50%			30%			
rw	70	50	30	10	50	30	10	50	30	10
RCR										
1	74	70	67	64	41	40	38	24	23	22
2	67	61	56	52	36	34	32	21	20	18
3	61	54	48	43	32	29	26	18	17	16
4	56	47	41	36	28	25	22	16	14	13
5	51	42	36	31	25	22	19	14	13	11
6	47	38	31	27	22	19	17	13	11	10
7	43	34	28	23	20	17	14	12	10	09
8	40	31	25	21	18	15	13	11	09	08
9	37	28	22	18	17	14	11	10	08	07
10	35	26	20	16	15	12	10	09	07	06

Candela

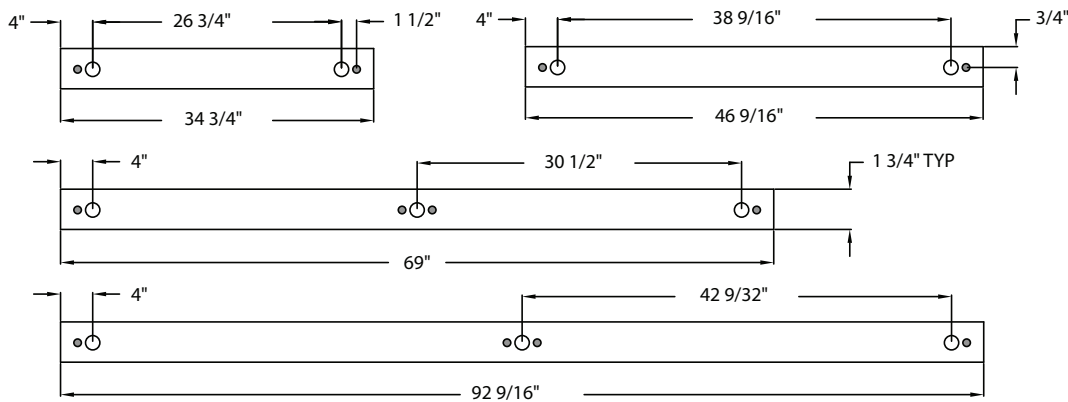
Angle	Across	⊥	45	Along II
0	0	0	0	0
5	0	0	0	0
15	0	0	0	0
25	0	0	0	0
35	0	0	0	0
45	0	0	0	0
55	0	0	0	0
65	0	0	0	0
75	0	0	0	0
85	0	0	0	0
90	0	0	0	0
95	159	143	22	
105	606	578	120	
115	1077	818	215	
125	1147	858	300	
135	1121	876	380	
145	986	779	448	
155	834	699	494	
165	699	639	454	
175	580	563	537	
180	539	593	539	

Zonal Lumen Summary

Zone	Lumens	%Lamp	%Fixture
0-90	0	0.0	0.0
90-120	795	27.4	32.1
90-130	1237	42.7	50.0
90-150	2003	69.1	81.0
90-180	2473	85.3	100.0
Total Luminaire Efficiency = 85.3%			

BACKSIDE VIEW FOR MOUNTING AND FEED POINT LOCATION

DIMENSIONS SHOWN FOR INT FIXTURE
 FOR IND, BOR & EOR FIXTURE ADD 1/8" FOR END PLATES



○ - Feed Hole
 ● - Mounting Hole