

DESCRIPTION

Series 6-AIP, 6-ADP, 6-IP, 6-DP... a group committed to technology, proportion, simplicity, and to the spatial clarity of open-plan, space design. Available with a clear ribbed acrylic lens or round lateral baffle.

Features:

- Low glare, wide spread illumination.
- Pendant mounted applications are provided to any length, to any configuration, and in a standard or custom finish.
- The extruded aluminum 4" round spatial tubes offer the the unity and quality required for today's energy-conscious, free-style, open-plan, space design.

SPECIFICATION FEATURES

A ... Construction

Extruded aluminum housing. Nominal 3', 4', 6' or 8' illuminated sections.

End Caps

Die-cast aluminum.

B ... Shielding

Clear ribbed acrylic lens or contoured baffle.

C ... Electrical

120, 277, 347 or Universal Voltage electronic ballast. Fixtures and electrical components certified to UL and CUL standards.

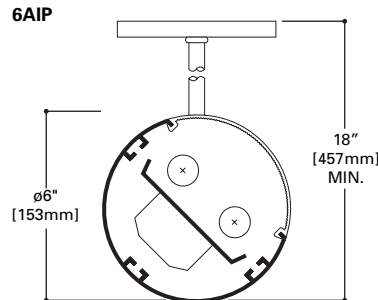
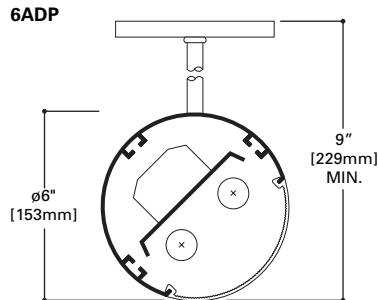
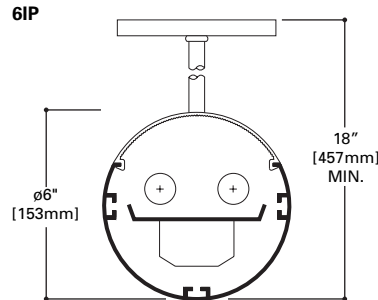
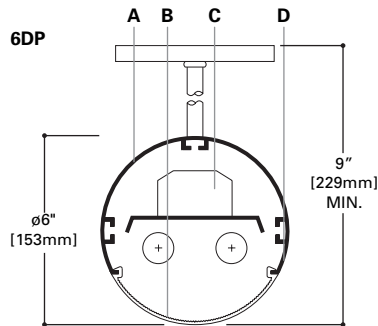
D ... Finish

Durable, low gloss, white, powder coated acrylic finish.

Mounting

Pendant with single stem (standard) or single cable. Canopy: Round 5" diameter.

Catalog #		Type
Project		
Comments		Date
Prepared by		



Cirque

6-AIP

6-ADP

6-IP

6-DP

1 & 2T8

1 & 2T5

1 & 2T5HO

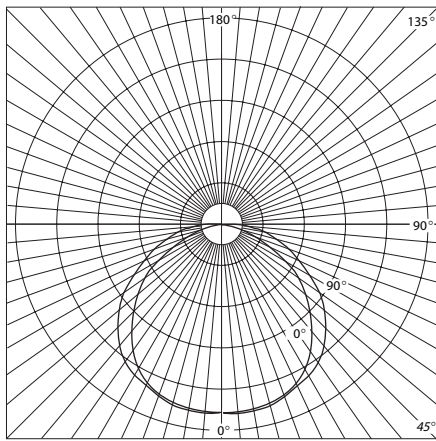
Suspended

Direct-Indirect

ORDERING INFORMATION

Series 6: Cirque	Light Output F: Indirect D: Direct AI: Angle - Indirect AD: Angle - Direct	Number of Lamps 1: 1 Lamp 2: 2 Lamps	Pendant SC: Single Cable ST: Single Stem ¹	Voltage ² 1: 120V 2: 277V 3: 347V	Ballast EB: Electronic Ballast DB: Dimming Ballast	Switching Options SI: Single Switching DU: Double Switching	Fusing GLR: GLR GMF: GMF
	Mounting P: Pendant	Lamp Type T8: T8 T5: T5 T5HO: T5HO	Run Length Overall Nominal Run Length ___ ft.			Emergency EM: Emergency Pack	Shielding Options S14: Contoured Baffle S26: Acrylic Lens

- Notes: 1 Available with 7° or earthquake 45° swivel canopy assembly.
2 Not all options available. Please consult your Cooper Lighting Representative for availability.



6DP-2T12
 (2) F40T12RS/WW
 3200 Lumens
 Efficiency 60.0%
 Test Report
 #3036.0

Coefficients of Utilization

rc	Effective floor cavity reflectance									
	80%			20%						
	70	50	30	10	50	30	10			
RCR										
1	65	62	60	57	58	56	54	55	54	52
2	59	54	50	47	51	48	45	49	46	44
3	54	48	43	40	45	41	38	43	40	37
4	60	43	38	34	40	36	33	39	35	32
5	45	38	32	28	36	31	28	34	30	27
6	42	34	28	25	32	27	24	31	27	24
7	38	30	25	21	29	24	21	28	24	21
8	35	27	22	18	26	21	18	25	21	18
9	33	24	19	16	23	19	16	22	18	15
10	30	22	17	14	21	17	14	20	16	14

Candela

Angle	Along II	45°	Across ⊥
0	2420	2420	2420
5	2489	2473	2466
15	2423	2411	2424
25	2237	2257	2319
35	1948	2048	2121
45	1522	1706	1809
55	1150	1393	1495
65	664	816	959
75	210	549	649
85	32	282	358
90	14	199	257
95	0	135	177
105	0	17	81
115	0	22	44
125	0	16	23
135	0	0	0
145	0	0	0
155	0	0	0
165	0	0	0
175	0	0	0
180	0	0	0

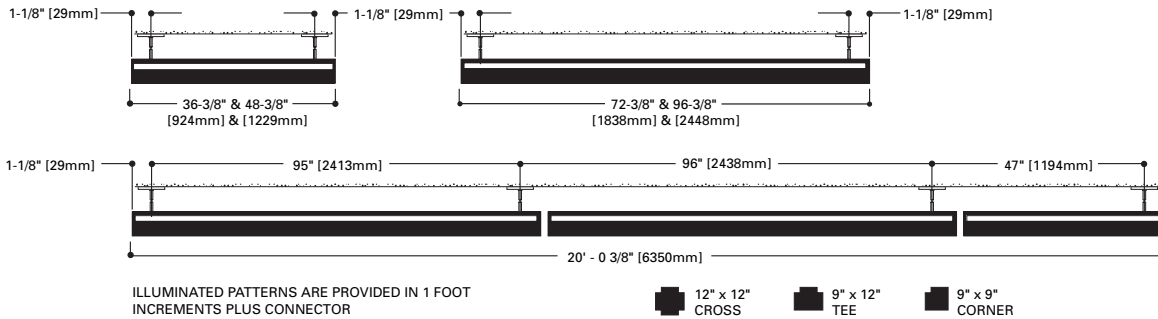
Zonal Lumen Summary

Zone	Lumens	%Lamp	%Fixture
0-30	1968	15.4	25.6
0-40	3250	25.4	42.3
0-60	5766	45.1	75.1
0-90	7473	58.4	97.3
90-180	205	1.6	2.7
0-180	7677	60.0	100.0

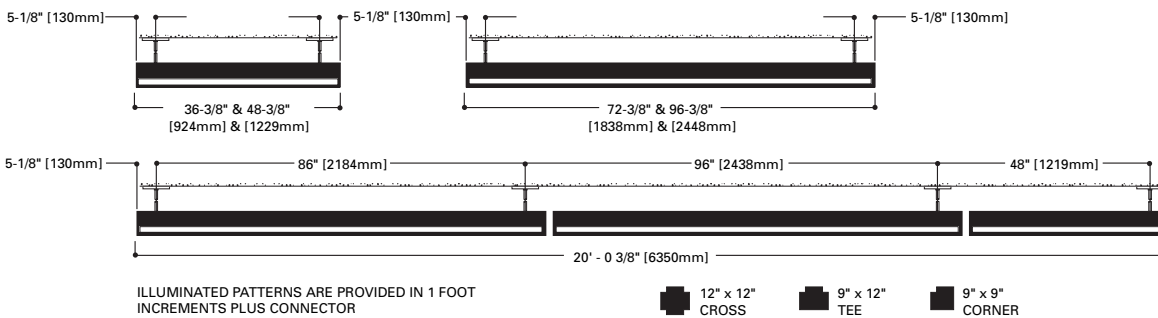
Total Luminaire Efficiency = 60.0%

MOUNTING INFORMATION

SERIES 6-DP & 6-ADP



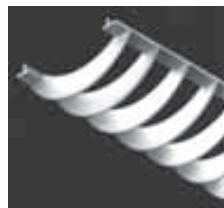
SERIES 6-IP & 6-AIP



SHIELDING INFORMATION



S26 Acrylic Lens
 Clear acrylic ribbed lens.



S14 Round Baffle
 Lateral baffle, 1 1/2" spacing, 35° cutoff, baked white finish.