



# NTH-101 NTH-102

## Flat Back Cylinder with Black Baffle

### LAMP WATTAGE

- (1) 50R/PAR20
- (1) 75R/PAR30

### DESCRIPTION

Line voltage flat back cylinder black baffle. Structural arm provides full adjustment of light source for special aiming and completely conceals wire lead from socket to contact head. Internal mechanism allows for adjustment and resists angle degradation.

### FEATURES

- Deep drawn steel housing for high strength and rigidity
- Completely concealed wiring
- Fully adjustable, firm angle position
- High-strength stainless steel electrical contacts
- One or two circuit track capable

### HOUSING

.030 Deep drawn steel construction with simple, cylindrical design. All edges are softened for aesthetic appearance.

### BAFFLE

.085 Black finished phenolic high heat rated plastic baffle. Provides finished appearance and assists in eliminating glare from housing interior.

### STRUCTURAL ARM

Extruded .055 aluminum arm connects fixture housing to electrical contact head. Internal tightening mechanism maintains desired lamp aiming angles. Structural arm also functions as wire way, completely concealing lead wire from socket to contact head.

### SOCKET

Porcelain jacketed aluminum screw thread medium-base socket.

### CONTACT HEAD ASSEMBLY

Three .030 stainless steel contacts mounted in high heat rated plastic housing.

### ONE/TWO CIRCUIT CONVERSION

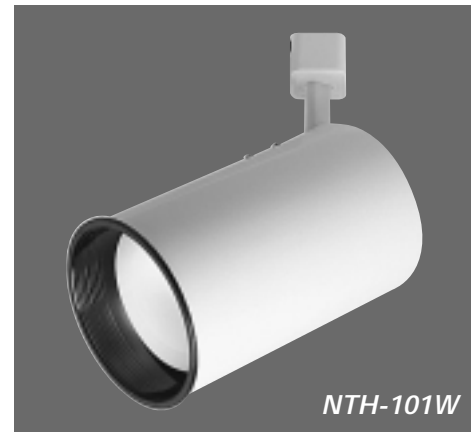
Positive contact (opposite neutral and ground contacts) is preset to "down" position at factory, but may be raised to the higher position to install onto the second circuit of Nora Lighting NT-2300 series two-circuit track.

### FINISHES

White or Black heat rated baked enamel paint. Custom painting or anodizing for special applications is also available. Custom finishes will require lead times that vary depending on vendor schedules. Please consult factory for quotation, and provide either a Dunn Edwards number or color chip for exact matching.

### PRODUCT MATRIX

- Ordering Example: **NTH-101B**  
50R/PAR20 Flat Back Cylinder, Black Baffle, Black
- NTH-101W**  
50R/PAR20 Flat Back Cylinder, Black Baffle, White
- NTH-102B**  
100R/PAR30 Flat Back Cylinder, Black Baffle, Black
- NTH-101W**  
100R/PAR30 Flat Back Cylinder, Black Baffle, White



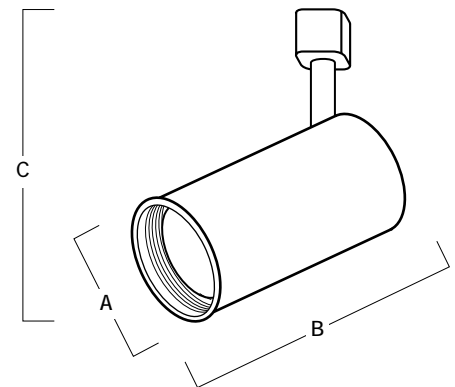
### DIMENSIONS

#### NTH - 101

<b>A: Diameter</b>	3-1/2"	(89 mm)
<b>B: Length</b>	6"	(153 mm)
<b>C: Extension</b>	7-1/8"	(181 mm)

#### NTH - 102

<b>A: Diameter</b>	4-3/8"	(112 mm)
<b>B: Length</b>	6-3/4"	(172 mm)
<b>C: Extension</b>	10-1/2"	(27 cm)



### COMPATIBILITY

Nora track fixtures are interchangeable with Halo, Catalina, Hampton Bay, Halo-Edison, or any other brands configured to Halo track system design. *Note: fixtures may not be compatible with non-Nora transformers or monopoint adapters.*

### UL LISTED

UL Listed as track lighting fitting

### ACCESSORIES

- R/PAR20 Accessory Holder . . . . . NT-344
- R/PAR20 Black Louver . . . . . NT-341\*
- R/PAR20 Barn Door . . . . . NT-338
- R/PAR30 Accessory Holder . . . . . NT-345
- R/PAR30 Black Louver . . . . . NT-342\*
- R/PAR30 Barn Door . . . . . NT-339
- Filters . . . . . By others
- Custom Finishes . . . . . Consult Factory

\* Louver accessory must be used with NT-344 (R/PAR20)/NT-345 (R/PAR30) Accessory Holder or NT-338 (R/PAR20)/NT-339 (R/PAR30) Barn Door accessory.