

Type
Project
Catalog No.
Lamp/Wattage

NTH-107LED
Rear Loading Gimbal Ring with LED PAR30

Lamp: 12W LED PAR30

PRODUCT DESCRIPTION

Line voltage PAR adjustable gimbal ring fixture. White finished housing holds lamp socket, allowing PAR lamp to clip directly into the adjustable gimbal ring. A steel yoke holds the gimbal ring in place and allows for full lateral aiming adjustment. Single tightening knob assures secure lock on angle position.

FEATURES

- Deep drawn steel socket cup housing for high strength and rigidity
- Heat resistant Teflon coated wire lead
- Low profile gimbal ring with minimal profile
- Adjustable yoke for custom aiming
- High-strength stainless steel electrical contacts
- One or two circuit track capable
- Available in J-Style and L-Style

CONSTRUCTION

Housing

0.025" Deep drawn steel construction with softened edges.

Gimbal Ring

0.030" Baked enamel finished steel ring. High-tension stainless steel spring secures PAR light source.

Yoke

0.085" Rigid steel "wishbone" yoke connects fixture housing to electrical contact head. Single plastic angle tightening knob maintain clear, decorative appearance of the fixture and provide secure angle position.

Socket

Porcelain jacketed aluminum screw thread medium-base socket.

Wiring

Teflon coated wire lead connects socket and housing to electrical contact head. Teflon coating is durable and resists heat degradation from lamp and housing radiation.

Lamp

See LED Lamp Chart below.

Contact Head Assembly

"H" Style (standard): Three 0.030 stainless steel contacts mounted in premium plastic housing.

"J" Style: Two contacts and ground contact mounted in premium plastic housing with on/off switch.

"L" Style: Two contacts and ground contact mounted in premium plastic housing.

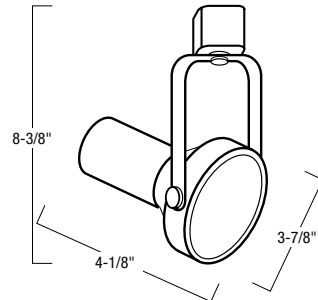
Finishes

Black, Bronze, Natural Metal, or White heat rated baked enamel paint. Custom painting or anodizing for special applications are also available. Custom finishes will require lead times that vary depending on vendor schedule. Please consult factor for quotation, and provide either a Dunn Edwards number or color chip for exact matching.

One/Two Circuit Conversion

Positive contact (opposite neutral and ground contacts) is preset to "down" position at the factory, but may be raised to the high position to install onto the second circuit of Nora Lighting's NT-2300 series two-circuit track.

DIMENSIONS



Length: 4-1/8"
 Diameter: 3-7/8"
 Max. Extension: 8-3/8"

Compatibility

Nora track heads are compatible with Halo or any other brands configured to Halo 3 wire track configuration. J-Style and L-Style track adapters are available.

Note: Fixtures may not be compatible with non-Nora monopoint adapters.

Labels and Warranty

cULus Listed as track lighting fitting



LED Lamp Chart (Lamps are Energy Star and cULus Listed)

ORDER SUFFIX	KELVIN	WATTS	LUMENS	BEAM ANGLE	CBCP	CRI	RATED LIFE	DIMMABLE
LED PAR30 Short Neck								
E30	2700	12	740	20	5000	83	25K	Yes
E31	3000	12	750	20	5100	84	25K	Yes
E32	2700	12	740	35	2000	83	25K	Yes
E33	3000	12	750	35	2050	84	25K	Yes

Rear Loading Gimbal Ring with LED PAR30

Rear Loading Gimbal Ring with LED - select one from each column

Catalog No.	Finish	LED Lamp	Contact Head
NTH-107	B = Black	E30 = LED PAR30	(Blank) = H-Style
	BZ = Bronze	E31 = LED PAR30	/J = J-Style
	N = Natural Metal	E32 = LED PAR30	/L = L-Style
	W = White	E33 = LED PAR30	