

Type
Project
Catalog No.
Lamp/Wattage

**NTH-108LED**  
**Rear Loading Gimbal Ring with LED PAR38**

Lamp: LED PAR38

**PRODUCT DESCRIPTION**

Line voltage PAR adjustable gimbal ring fixture. White finished housing holds lamp socket, allowing PAR lamp to clip directly into the adjustable gimbal ring. A steel yoke holds the gimbal ring in place and allows for full lateral aiming adjustment. Single tightening knob assures secure lock on angle position.

**FEATURES**

- Deep drawn steel socket cup housing for high strength and rigidity
- Heat resistant Teflon coated wire lead
- Low profile gimbal ring with minimal profile
- Adjustable yoke for custom aiming
- High-strength stainless steel electrical contacts
- One or two circuit track capable
- Available in J-Style and L-Style

**CONSTRUCTION**

**Housing**

0.025" Deep drawn steel construction with softened edges.

**Gimbal Ring**

0.030" Baked enamel finished steel ring. High-tension stainless steel spring secures PAR light source.

**Yoke**

0.085" Rigid steel "wishbone" yoke connects fixture housing to electrical contact head. Single plastic angle tightening knob maintain clear, decorative appearance of the fixture and provide secure angle position.

**Socket**

Porcelain jacketed aluminum screw thread medium-base socket.

**Wiring**

Teflon coated wire lead connects socket and housing to electrical contact head. Teflon coating is durable and resists heat degradation from lamp and housing radiation.

**Lamp**

See page 2 for LED Lamp descriptions.

**Contact Head Assembly**

"H" Style (standard): Three 0.030 stainless steel contacts mounted in premium plastic housing.

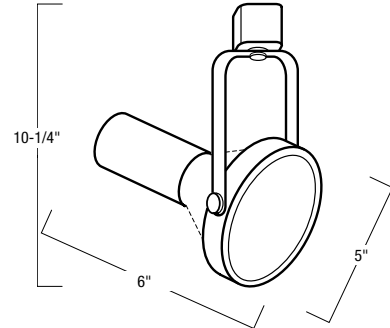
"J" Style: Two contacts and ground contact mounted in premium plastic housing with on/off switch.

"L" Style: Two contacts and ground contact mounted in premium plastic housing.

**Finishes**

Black, Bronze, Natural Metal, Silver, or White heat rated baked enamel paint. Custom painting or anodizing for special applications are also available. Custom finishes will require lead times that vary depending on vendor schedule. Please consult factor for quotation, and provide either a Dunn Edwards number or color chip for exact matching.

**DIMENSIONS**



Length: 6"  
 Diameter: 5"  
 Max. Extension: 10-1/4"

**One/Two Circuit Conversion**

Positive contact (opposite neutral and ground contacts) is preset to "down" position at the factory, but may be raised to the high position to install onto the second circuit of Nora Lighting's NT-2300 series two-circuit track.

**Compatibility**

Nora track heads are compatible with Halo or any other brands configured to Halo 3 wire track configuration. J-Style and L-Style track adapters are available.

*Note: Fixtures may not be compatible with non-Nora monopoint adapters.*

**Labels and Warranty**

cULus Listed as track lighting fitting



**Rear Loading Gimbal Ring with LED PAR38**

Rear Loading Gimbal Ring with LED - select one from each column

Catalog No.	Finish	LED Lamp	Contact Head
NTH-108	B = Black	E80 = LED PAR38	(Blank) = H-Style
	BZ = Bronze	E81 = LED PAR38	/J = J-Style
	N = Natural Metal	E82 = LED PAR38	/L = L-Style
	S = Silver	E83 = LED PAR38	
	W = White	E84 = LED PAR38	
		E85 = LED PAR38	
		E86 = LED PAR38	
		E87 = LED PAR38	
		E88 = LED PAR38	

# LED Lamp Chart

Lamps below are Energy Star and cULus Listed

ORDER SUFFIX	LAMP TYPE	KELVIN	WATTS	LUMENS	BEAM ANGLE	CBCP	CRI	RATED LIFE	DIMMABLE
--------------	-----------	--------	-------	--------	------------	------	-----	------------	----------

## LED PAR38

E80	PAR38	2700	20	1000	15	8500	80	25K	Yes
E81	PAR38	3000	20	1100	15	9000	80	25K	Yes
E82	PAR38	2700	20	1000	25	3700	80	25K	Yes
E83	PAR38	3000	20	1100	25	4000	80	25K	Yes
E84	PAR38	2700	20	1000	40	1700	80	25K	Yes
E85	PAR38	3000	20	1100	40	1800	80	25K	Yes

## LED PAR38 LOW GLARE

E86	PAR38 Low-Glare	3000	17	820	15	9000	82	50K	No
E87	PAR38 Low-Glare	3000	17	820	25	4500	87	50K	No
E88	PAR38 Low-Glare	3000	17	820	40	1550	87	50K	No

