

NMR Multiple Recessed Series

Multiple Lighting System Recessed Low Voltage



DESCRIPTION

Multiple lamp luminaire with 50W MR16 or 75W AR111 light sources. Solid finished face with all electrical and mechanical components concealed inside the housing.

SPECIFICATION

LAMP

50W MR16 12V
Gimbal AR111

HOUSING

0.35" galvanized steel with louver-type ventilation openings for proper heat dissipation. Contains four 3/4" knockouts for electrical entry to the wiring compartment. A 0.35" thick steel cover secured by wing nuts encloses all lamp and ballast connections inside the housing.

BAR HANGER

Universal brackets accept C-channel, NRA-38 or flat bar hangers, NRA-28 (ordered separately), or simple rigid 1/2" steel conduit for tie-down to ceiling grids.

FACE PLATE

Rigid 0.05" steel plate is shaped into a solid splay design to conceal all electrical and mechanical components and provide a sleek appearance to the ceiling. Evenly spaced apertures accept a variety of trims. Torsion springs secured to brackets hold the face plate firmly inside the housing.

SOCKET

Porcelain socket rated 250V 100W with 18AWG 300V 200° C wires in heat resistant sleeves.








TRANSFORMER

- Magnetic Class H transformer
- Input rating: 120V 65VA 60Hz
- Output rating: 12V 4.2A 50VA

FINISHES

White with White flange (WW)
Black with White flange (BW)
Silver with Silver flange (SS)

TRIM OPTIONS

- | | | | |
|--|---------------------------------------|---|---------------------------------|
|  | 418
Eyeball with Baffle |  | 445
Adjustable Slot Aperture |
|  | 463
Surface Adjustable with Baffle |  | 465
Surface Adjustable |
|  | 470
Fully Adjustable Elbow |  | 491
Adjustable Spot |
|  | 674
Gimbal AR111 | | |

LABELS

cULus listed for damp location.

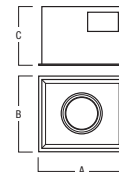


CATALOG NO.:	TYPE:
PROJECT:	
COMMENTS:	
PREPARED BY:	DATE:

DIMENSIONS

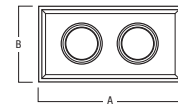
NMR11650M1* - 1 Row / 1 Lamp

A: Length	9-5/8" (244mm)
B: Width	9-5/8" (244mm)
C: Depth	6-3/4" (171mm)



NMR12650M1* - 1 Row / 2 Lamps

A: Length	18" (457mm)
B: Width	9-5/8" (244mm)
C: Depth	6-3/4" (171mm)



NMR13650M1* - 1 Row / 3 Lamps

A: Length	25-5/8" (651mm)
B: Width	9-5/8" (244mm)
C: Depth	6-3/4" (171mm)



NMR14650M1* - 1 Row / 4 Lamps

A: Length	29-3/8" (746mm)
B: Width	9-5/8" (244mm)
C: Depth	6-3/4" (171mm)



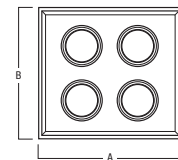
NMR15650M1* - 1 Row / 5 Lamps

A: Length	35-1/8" (892mm)
B: Width	9-5/8" (244mm)
C: Depth	6-3/4" (171mm)



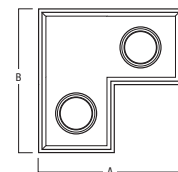
NMR22650M1* - 2 Row / 2 Lamps/Row

A: Length	19-5/8" (498mm)
B: Width	19-5/8" (498mm)
C: Depth	6-3/4" (171mm)



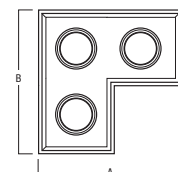
NMRL2650M1* - L-shape / 2 Lamps

A: Length	14-5/8" (371mm)
B: Width	9-5/8" (244mm)
C: Depth	6-3/4" (171mm)



NMRL3650M1* - L-shape / 3 Lamps

A: Length	19-3/8" (492mm)
B: Width	9-5/8" (244mm)
C: Depth	6-3/4" (171mm)



* Complete item number must include finish and trim. example: NMR13650M1WW418

TESTING: ALL REPORTS ARE BASED ON PUBLISHED INDUSTRY PROCEDURES: FIELD PERFORMANCE MAY DIFFER FROM LABORATORY PERFORMANCE. PRODUCT SPECIFICATIONS SUBJECT TO CHANGE WITHOUT NOTICE.