



# NTL-214 NTL-2214 NTH-694

## MR16 Mini Baffle Round Back Cylinder

### LAMP WATTAGE

- (1) 50MR16ES 120V GU 10.0 (included with fixture)
- (1) 50MR16 12V GU 5.3 (not included)

### DESCRIPTION

Line or low voltage designer round back fixtures with MR16 light source. Die cast black baffle insert reduces glare and provides finished appearance. Heavy-duty yoke provides low profile support and full aiming for fixture. Dual tightening knobs assure secure lock on vertical angle position; internal friction provides secure lateral lamp position.

### FEATURES

- Low profile, aesthetic design
- Die cast baffle insert
- Adjustable yoke for custom aiming
- Clear shield included with fixture
- High-strength stainless steel electrical contacts
- One or two circuit track capable

### HOUSING

.030 Drawn steel construction; cylindrical shape with ventilated rear for enhanced design, heat dissipation, and wire exit. .070 Die cast aluminum baffle insert eliminates side glare from fixture, and holds MR16 lamp source and clear shield.

### YOKE

.085 Rigid steel yoke connects fixture housing to electrical contact head. Dual plastic angle tightening knobs maintain clean, decorative appearance of the fixture and provide secure angle position.

### TRANSFORMER (NTL FIXTURES ONLY)

Solid state electronic transformers provide noise-free voltage reduction and operation. If dimming, use electronic low voltage rated only dimming controls.

#### NTL-214:

Integral Unit - 120V/60Hz Input; 12V Output; 50VA Max. Load

#### NTL-2214 (requires separate transformer):

External Unit - NTL-2200/50: 120V/60Hz Input; 12V Output; 50VA Max. Load

### SOCKET

Porcelain socket for GU 10.0 120V MR16ES lamp, 50 watt maximum; porcelain socket for GU 5.3 12V MR16 lamp.

### LAMP SHIELD

High temperature glass shield included. Mounted in front of MR16 lamp source and held in place with die cast front trim insert.

### CONTACT HEAD ASSEMBLY

Three .030 stainless steel contacts mounted in high heat rated plastic housing.



### PRODUCT MATRIX

CATALOG NUMBER	FINISH	BASE	WATT	VOLT	INTEGRAL TRANSFORMER	LAMP INCLUDED*
NTL-214	B,W	GU 5.3	50	12	YES	NO
NTL-2214	B,W	GU 5.3	50	12	NO**	NO
NTH-694	B,W	GU 10.0	50	120	N/A	YES

\* Shielded, MR16ES source included only with 50 watt, 120 volt line voltage fixtures. Lamps are not included with low voltage fixtures.

\*\* NTL-2214 requires purchase of NTL-2200 transformer unit for operation.

### DIMENSIONS

#### NTL - 214

A: Diameter	3-5/8"	(92 mm)
B: Length	3-3/8"	(86 mm)
C: Extension	6-1/4"	(159 mm)

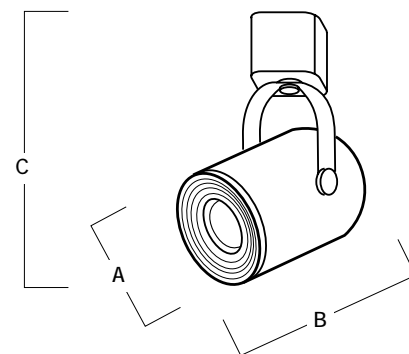
#### NTL - 2214 \*

A: Diameter	3-5/8"	(92 mm)
B: Length	2-3/4"	(70 mm)
C: Extension*	7-1/2"	(191 mm)

#### NTH - 694

A: Diameter	3-5/8"	(92 mm)
B: Length	3-3/8"	(86 mm)
C: Extension	5-3/4"	(146 mm)

\* Extension includes NTL-2200 transformer which is required for use with NTL-2214



### LOW VOLTAGE MR16 GU 5.3 VERSUS LINE VOLTAGE MR16ES GU 10.0

FEATURES	120V MR16	12V MR16
Standard Incandescent Dimming	YES	NO
Requires Electronic Low Voltage Control	NO	YES
Wide Variety of Reflector Angles	NO	YES
Center Beam Candle Power (CBCP)*	1400	3000
Lamp Life**	2000+	3000+
Transformer Required	NO	YES

\* Based on 50W, 25° Beam Spread.

\*\* Lamp life is in estimated hours. Nora does not guarantee the longevity of lamp sources.



# NTL-214 NTL-2214 NTH-694

## MR16 Mini Baffle Round Back Cylinder

### ONE/TWO CIRCUIT CONVERSION

Positive contact (opposite neutral and ground contacts) is preset to "down" position at factory, but may be raised to the higher position to install onto the second circuit of Nora Lighting NT-2300 series two-circuit track.

### FINISHES

White or Black heat rated baked enamel paint. Custom painting or anodizing for special applications is also available. Custom finishes will require lead times that vary depending on vendor schedules. Please consult factory for quotation, and provide either a Dunn Edwards number or color chip for exact matching.

### COMPATIBILITY

Nora track fixtures are interchangeable with Halo, Catalina, Hampton Bay, Halo-Edison, or any other brands configured to Halo track system design. Note: fixtures may not be compatible with non-Nora transformers or monopoint adapters.

### UL LISTED

UL Listed as track lighting fitting

### ACCESSORIES

Transformers (required for NTL-2214):

50VA .....NTL-2200/50(B,W)

Filters .....NM-110 (See accessories page)

Custom Finishes ....Consult Factory

