

# NTM-5617/50 NTM-5617/70 NTM-5617/100



## Ceramic Metal Halide (CMH) ED17 Reflector

### LAMP WATTAGE

(1) CDM50ED17(1) CDM70ED17 (1) CDM100ED17

### DESCRIPTION

Ceramic Metal Halide (CMH) ED17 Reflector. Fixture converts general light from an ED17, and forces the distribution into a 14° narrow flood angle similar to that of a PAR lamp source. Utilizes electronic metal halide ballast designed for use with higher CRI Index ED-17 ceramic metal halide light sources.

### FEATURES

- Electronic ballast
- Multi-Faceted reflector
- Deep drawn one-piece steel socket cup & reflector shroud
- Tempered safety shield
- Heat resistant Teflon coated wire lead
- High-strength stainless steel electrical contacts
- One or two circuit track capable

### HOUSING, SOCKET & REFLECTOR SHROUD

.060 Deep drawn steel construction with softened edges. Conical face completely houses faceted reflector and lamp. L-Bracket provides firm friction hold for accurate aiming.

### REFLECTOR

.050 Multifaceted aluminum reflector. Provides a 14° narrow flood distribution common to PAR light sources to an ED-17 light source. Finish is clear specular with reduced iridescence.

### SHIELD

.11 Tempered glass shield reduces UV radiation and provides protection in case of ED-17 light source failure or shattering.

### BALLAST HOUSING

.06 Baked enamel finished solid steel construction. Access cover secured with four screws. Top surface contains 3-contact track adapter and additional locking tab opposite contact head. Housing is positioned vertically, perpendicular to ceiling/floor.

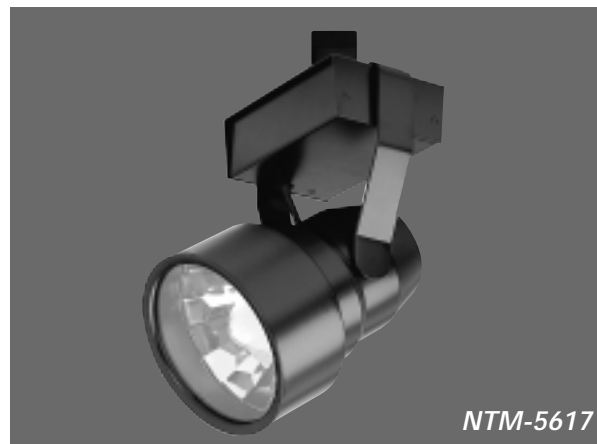
### BALLAST

Integral .90 high power factor electronic solid state Type-1 ballast housed in .060 finished steel enclosure. Ballast provides automatic termination upon end of lamp life. i.e. "End of Life" as well as thermal shutdown protection.

Input Voltage:	120V, 50/60Hz
Power Factor:	>99%
Sound Rating:	A
Frequency:	<200 Hz
Min. Starting Temp.:	-4°F (-20°C)
Total Harmonic Distortion:	<5%
Ballast Life Expectancy:	64,000 hours (at 75°C)
Input Power:	50W 70W 100W
Input Watts:	55 77 110
Operating Amps:	.46 .63 .94

### SOCKET

4KV 660VA/600V Porcelain jacketed aluminum screw thread medium-base socket.



NTM-5617

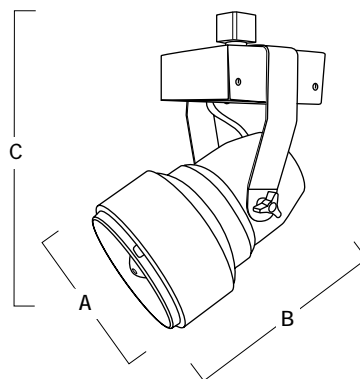
### PRODUCT MATRIX

Catalog	Finish	Lamp	Input Wattage	Amperage
NTM-5617/50	B,W	CDM50ED17	55	.46
NTM-5617/70	B,W	CDM70ED17	77	.63
NTM-5617/100	B,W	CDM100ED17	110	.94

### DIMENSIONS

#### NTM - 5 6 1 7

A: Diameter	6"	(152 mm)
B: Length	10"	(25 cm)
C: Max Extension	11-1/2"	(29 cm)



### WIRING

Teflon coated wire lead connects socket and housing to electrical contact head. Teflon coating is durable and resists heat degradation from lamp and housing radiation.

### CONTACT HEAD ASSEMBLY

Three .030 stainless steel contacts mounted in high heat rated plastic housing.

### ONE/TWO CIRCUIT CONVERSION

Positive contact (opposite neutral and ground contacts) is preset to "down" position at factory, but may be raised to the higher position to install onto the second circuit of Nora Lighting NT-2300 series two-circuit track.

### FINISHES

White or Black heat rated baked enamel paint. Custom painting or anodizing for special applications is also available. Custom finishes will require lead times that

vary depending on vendor schedules. Please consult factory for quotation, and provide either a Dunn Edwards number or color chip for exact matching.

### COMPATIBILITY

Nora track fixtures are interchangeable with Halo, Catalina, Hampton Bay, Halo-Edison, or any other brands configured to Halo track system design. Note: fixtures may not be compatible with non-Nora transformers or monopoint adapters.

### UL LISTED

UL Listed as track lighting fitting

### ACCESSORIES

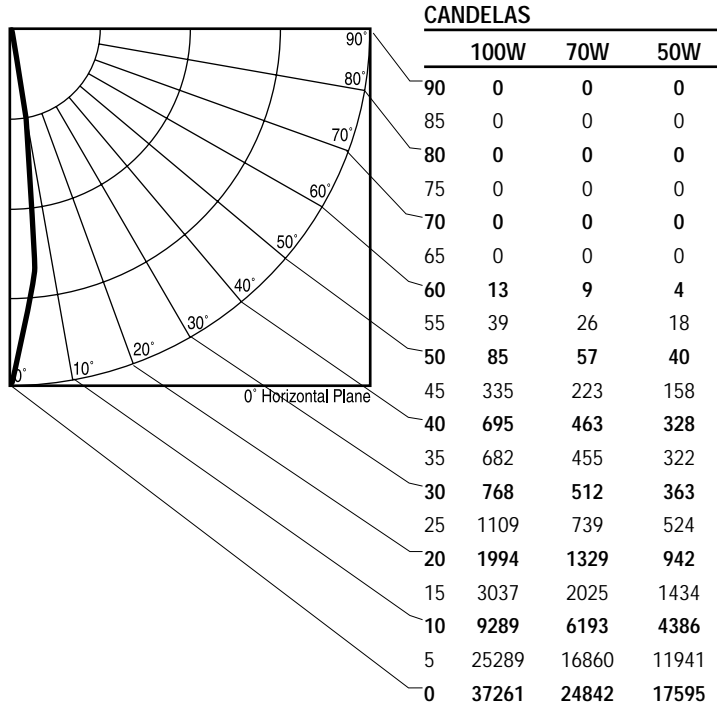
Custom Finishes	.....	Consult Factory
Accessory Holder	.....	NT-346
Louver	.....	NT-343
Barn Doors	.....	NT-340

# NTM-5617 ED17 Clear Specular Faceted Reflector

Lab: LM-63-1995 Test No. LRL 901-213 (.6667 Multiplier for 70W; .4722 for 50W results) Spacing Criteria: .3 Efficiency: 49.5%

Beam Angle: 14 Field Angle: 28

LAMPS	100W	70W	50W
Lamp:	MCP100/U/MED/830	MCP70/U/MED/830	MHC50/U/M/3K
Total Watts:	110	77	55
Lumens:	9000	6000	4250



Angle in Degrees	100W		70W		50W	
	Average 0-Deg	Average 90-Deg	Average 0-Deg	Average 90-Deg	Average 0-Deg	Average 90-Deg
45	30656	30656	20407	20407	14475	14475
55	4400	4400	2933	2933	2077	2077
65	0	0	0	0	0	0
75	0	0	0	0	0	0
85	0	0	0	0	0	0

## COEFFICIENTS OF UTILIZATION\*

RC	80				70				50			30			10			0
	70	50	30	10	70	50	30	10	50	30	10	50	30	10	50	30	10	0
0	59	59	59	59	58	58	58	58	55	55	55	53	53	53	51	51	51	49
1	57	56	55	54	56	55	54	53	53	52	51	51	50	50	49	49	48	48
2	55	53	51	50	54	52	51	50	51	49	48	49	48	47	48	47	46	46
3	53	50	49	47	52	50	48	47	49	47	46	47	46	45	46	45	45	44
4	51	48	46	45	50	48	46	44	47	45	44	46	45	43	45	44	43	42
5	49	46	44	43	49	46	44	42	45	43	42	44	43	42	44	42	41	41
6	48	45	43	41	47	44	42	41	44	42	41	43	41	40	42	41	40	39
7	47	43	41	39	46	43	41	39	42	41	39	42	40	39	41	40	39	38
8	45	42	40	38	45	42	40	38	41	39	38	41	39	38	40	39	38	37
9	44	41	38	37	44	40	38	37	40	38	37	40	38	37	39	38	37	36
10	43	39	37	36	42	39	37	36	39	37	36	38	37	36	38	37	36	35

\* Effective Floor Cavity Reflectance = 20%

## BEAM & CONE DATA

Beam Angle: 14°

Mounting Height	Maximum Spacing	Circle Diameter	100W		70W		50W	
			F.C. at Center	F.C. at Edge	F.C. at Center	F.C. at Edge	F.C. at Center	F.C. at Edge
4	1.0	2.0	2357.1	33.7	1571.5	22.5	1113.0	15.9
6	1.6	3.2	1000.1	12.6	666.8	8.4	472.2	5.9
8	2.1	4.2	524.6	7.1	349.8	4.7	247.7	3.4
10	2.8	5.6	322.3	4.3	214.9	2.9	152.2	2.0
12	3.4	6.8	218.1	2.8	145.4	1.9	103.0	1.3