

APPLICATION

Square aperture medium distribution downlight is suitable for commercial, retail and institutional applications that require an energy saving, long life LED lamp source, high lumen output and excellent color rendering characteristics.

PRODUCT DATA

REFLECTOR: The parabolic reflector redirects spill light from the lamp, and eliminates high angle glare. A one half-inch overlap flange is standard. Supplied standard with Haze Alzak, other reflector finishes are available in order to provide maximum flexibility to the designer.

HOUSING: A fabricated 18 gauge matte black steel housing provides a secure mounting platform for the electrical components and protects the optical assembly. Standard plaster flange allows one inch ceiling thickness with custom depth available. LED module is accessible from below.

MOUNTING: Universal Mounting brackets adjust vertically 5.5" and accepts C-channel or rigid bars (see optional accessories).

ELECTRICAL: 120 to 277 VAC, 50-60 Hz.

JUNCTION BOX: Heavy gauge galvanized junction box pre-wired with grounding pigtail. Easy access covers. Multiple conduit knockouts listed for through branch circuit wiring.

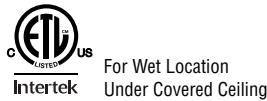
LED MODULE & DRIVER: LED Module and Driver are manufactured by Philips Lighting. Remote phosphor technology insures color consistency from fixture to fixture.

DIMMING: Standard product is compatible with 0-10 volt dimming controls. See below for additional options.

LIGHT OUTPUT (lm)	COLOR TEMP. (K)	POWER (W)
800	3000	16
800	3500	15
800	4000	14
1100	3000	17.4
1100	3500	16.7
1100	4000	15.9
1300	3000	24
1300	3500	23
1300	4000	22

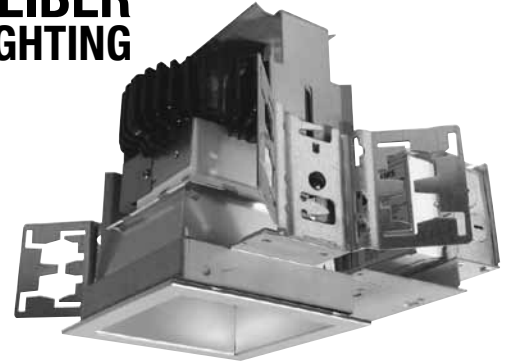
CRI = 80. Specifications based on Fortimo LED module by Philips Lighting.

- Expected lamp life to be 50,000 hours with 70% lumen maintenance when ambient temperatures do not exceed 45°C. Lower ambient temperatures yield longer lamp life.



SERIES 4SQLED Square Aperture Recessed LED Downlight – 800, 1100 or 1300 Lumen

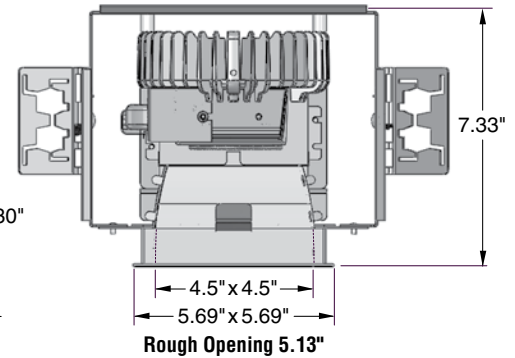
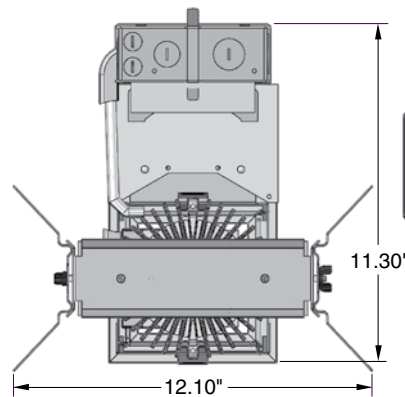
CALIBER LED LIGHTING



5 Year Warranty



Optional suspended decorative lens (IC4)



Catalog #:

4SQLED

Example: 4SQLED11004K

4SQLED

Example: 4SQLEDHAZPF

Fixture Series	Lumens	Color Temp.	Dimming	Options
4SQLED	800	4K (4,000K)	blank 0-10V, 10%	See Options Below
	1100	35K (3,500K)	DE4 Lutron ECO-sys, 1%	
	1300	3K (3,000K)	D7 Lutron 3 wire, 1%	
		27K (2,700K)	DMX DMX, 10%* DAL Dali, 10%* *interfaced through 0-10V driver	

Trim	Trim Finish w/polished flange
4SQLED	Downlight Reflector
IC4	Suspended Decorative Glass Lens
	SCLPF – Soft Specular Clear Alzak
	HAZPF – Haze Alzak

For white painted flange, drop "PF" from Catalog #.
For other finishes, consult reflector section.

Optional Accessories

Hanger Bars (set of 2)

- 101782 = #520 Caddy Bars
- 9152 = 52" C-Channel
- 9127 = 27" C-Channel
- 27BH = 27" Solid Bar

For Optional Reflector Finishes & Decorative elements, consult special section of catalog.

Fixture:	Type:
Project:	

Manufactured and tested to UL#1598 and CSA standards.
Note: Suitable for damp location.
Fixtures are not designed for direct contact with insulation.

All Pathway® products meet or exceed requirements as established by the National Electrical Code. Specifications subject to change without notice. Alzak® is a registered trademark of Alcoa.



Pathway Lighting Products, Inc., P.O. Box 591, Old Saybrook, CT 06475-0591
voice 800.342.0592 • fax 800.207.0090 • www.pathwaylighting.com • e-mail: sales@pathwaylighting.com

Series 4SQLED - Sq. Ap. Recessed LED Downlight – 800, 1100 or 1300 Lumen

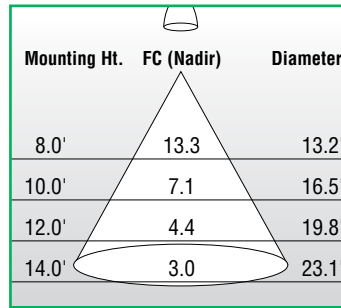


SERIES 4SQLED – 4" Square Aperture LED Downlight

PHOTOMETRIC DOWNLIGHT DISTRIBUTION

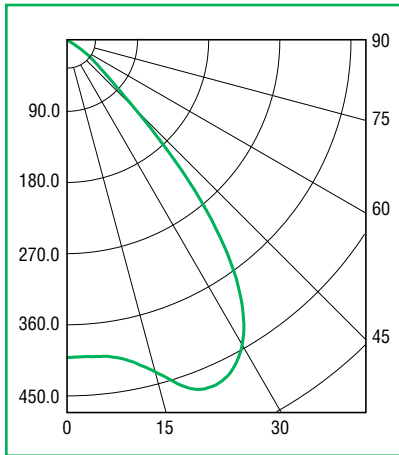
Catalog No. – 4SQLED11003K / 4SQLEDSCLPF
Lamp(s) – Fortimo LED
Lumens – 1100 (852 delivered)
Spacing Criteria – 1.42
Efficacy – 44.9 (delivered LPW)
LTL # – 20465

CONE OF LIGHT



Initial Footcandles at a 30" Work Plane Beam diameter calculated at 50% of maximum fc at nadir.

CANDELA DISTRIBUTION



CANDELA

VERTICAL ANGLE	0
0.00	401
5.00	402
10.00	409
15.00	434
20.00	469
25.00	473
30.00	445
35.00	379
40.00	264
45.00	123
50.00	60
55.00	36
60.00	16
65.00	8
70.00	4
75.00	2
80.00	1
85.00	0
90.00	0

ZONAL LUMENS SUMMARY

ZONE	LUMENS	% OF LAMP	% OF LUMINAIRE
0-30	388.1	N/A	45.5%
0-40	660.2	N/A	77.5%
0-60	840.9	N/A	98.7%
0-90	852.3	N/A	100.0%
90-180	0.0	N/A	0.0%
0-180	852.3	N/A	100.0%

AVERAGE LUMINANCE

ANGLE	CD/M ²
0°	9724
45°	4221
55°	1514
65°	437
75°	224
85°	83

COEFFICIENTS OF UTILIZATION

PCC	90				80				70				50				30				10				0						
	70	50	30	10	70	50	30	10	70	50	30	10	70	50	30	10	50	30	10	50	30	10	50	30	10	50	30	10	50	30	10
PW	** Values are expressed as Lumens delivered to the task surface **																														
RCR																															
0	1039	1039	1039	1039	1015	1015	1015	1015	991	991	991	991	947	947	947	947	906.7	906.7	906.7	869.7	869.7	869.7	852.3	869.7	869.7	869.7	852.3	869.7	869.7	869.7	852.3
1	980.8	950.1	922.7	898.3	958.1	930.6	905.9	883.7	936.6	911.9	889.7	869.5	896.7	877	859.1	842.6	845	830.6	817.3	815.4	804.1	793.6	777.8	815.4	804.1	793.6	777.8	815.4	804.1	793.6	777.8
2	919.8	865.2	820.5	783.3	898.8	849.5	808.6	774.3	879	834.4	797.1	765.5	842.4	806.1	775.2	748.4	780.1	754.6	732.2	755.9	735.2	716.7	701.4	735.2	716.7	701.4	701.4	735.2	716.7	701.4	701.4
3	860.4	788.4	733.4	690.2	841	775.5	724.8	684.3	822.7	763.1	716.3	678.6	789.1	739.8	700.1	667.4	718.3	684.8	656.7	698.3	670.3	646.3	631.3	670.3	646.3	631.3	631.3	670.3	646.3	631.3	631.3
4	804	719.6	658.8	613	786.2	708.9	652.3	609.1	769.3	698.6	645.9	605.2	738.4	679.2	633.7	597.7	661.2	622.1	590.4	644.4	611	583.3	568.4	611	583.3	568.4	568.4	611	583.3	568.4	568.4
5	751.2	658.2	594.4	548	734.8	649.2	589.4	545.3	719.4	640.6	584.6	542.7	691	624.3	575.1	537.5	609.1	566.1	532.4	594.9	557.5	527.5	512.8	557.5	527.5	512.8	512.8	557.5	527.5	512.8	512.8
6	702	603.5	538.6	492.7	687.1	595.9	534.7	490.8	673	588.6	530.9	489	647	574.7	523.5	485.3	561.8	516.4	481.7	549.7	509.5	478.1	463.7	509.5	478.1	463.7	463.7	509.5	478.1	463.7	463.7
7	656.7	554.8	490	445.3	643	548.3	486.9	443.9	630.2	542.1	483.9	442.5	606.5	530.2	477.9	439.9	519.1	472.2	437.2	508.6	466.7	434.6	420.5	466.7	434.6	420.5	420.5	466.7	434.6	420.5	420.5
8	615.1	511.4	447.5	404.2	602.7	505.9	445	403.2	590.9	500.5	442.5	402.2	569.2	490.2	437.7	400.2	480.6	433	398.2	471.6	428.5	396.3	382.5	428.5	396.3	382.5	382.5	428.5	396.3	382.5	382.5
9	577.1	472.8	410.2	368.5	565.7	468	408.1	367.7	555	463.3	406.1	366.9	535.2	454.4	402.1	365.4	446	398.2	363.9	438.1	394.5	362.4	349	394.5	362.4	349	349	394.5	362.4	349	349
10	542.3	438.3	377.3	337.2	532	434.1	375.6	336.6	522.2	430.1	373.9	336	504.1	422.3	370.6	334.9	415	367.3	333.7	408.1	364.2	332.6	319.6	364.2	332.6	319.6	319.6	364.2	332.6	319.6	319.6

PFC = 0.20

Series 4SQLED - Sq. Ap. Recessed LED Downlight – 800, 1100 or 1300 Lumen

