

**APPLICATION**

A decorative cylinder for surface, wall, cable or pendant mount is ideal for applications that require high lumen output, long lamp life and energy saving benefits of LED technology.

**PRODUCT DATA**

**REFLECTOR:** The dual reflector optical system provides high efficiency, low brightness, and 45° cut-off to the lamp image. Reflectors are available in specular or matte finish, as well as a variety of standard and special finishes.

**HOUSING:** Unique 2 part cylinder housing allows proper ventilation of LED engine. Heavy gauge aluminum is finished to an architectural grade with a standard exterior finish of matte white, powder coat paint. Optional or custom colors available

**ELECTRICAL:** 120 to 277 VAC, 50-60 Hz.

**LED MODULE:** Bridgelux RS Series. LED module. CRI = 80. Power = 58 watts.

**HEAT MANAGEMENT:** Engineered heat sink features patented Synjet module that circulates air for optimum heat management of the LED engine.



**DIMMING:** Product is compatible with 0-10 volt dimming controls, specify (D) to order.

- Expected lamp life to be 50,000 hours with 70% lumen maintenance when ambient temperatures do not exceed 45°C. Lower ambient temperatures yield longer lamp life.

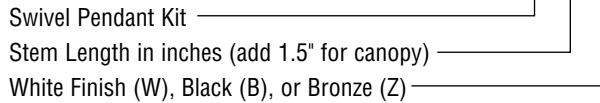
**MOUNTING:** (Specify when ordering.)

**Ceiling (Surface) Mount** – Provided with mounting holes for securement to 4" octagon junction box.

**Wall Mount** – Standard bracket protrudes 4.5" from wall (specify others) mounts to 4" octagon junction box.

**Pendant Mount** – Swivel mount canopy allows cylinder to hang plumb up to 30° sloped ceiling stem 3/8" IPS (specify length) canopy adds 1.5" to overall length. Standard finish white powder coat. Specify Pendant Kit as follows:

**EXAMPLE: PK 24 W**



**Cable Mount** – Supplied with 10' field adjustable aviation cable and either straight or coiled cord. Ceiling canopy to match finish on cylinder housing. Custom lengths available.



Manufactured and tested to UL#1598 and CSA standards.

For Damp Location Note: Suitable for damp location.

Catalog #:

**C66** [ ] [ ] [ ] [ ]

Example: C66SLB404K

Fixture Series	Lumens	Beam Dist.	Input/Voltage
Surface <b>C66SLB</b>	<b>404K</b> (4000 lumen, 4,000K)	<b>N</b> = (28°)	<b>120/277V</b> Standard
Pendant <b>C66PLB</b>	<b>435K</b> (4000 lumen, 3500K)	<b>M</b> = (48°)	<b>D6</b> = 0-10V Dimming
Wall <b>C66WLB</b>	<b>403</b> (4000 lumen, 3000K)		
Cable <b>C66A*LB</b>			

\*A1 = Straight White Cord, A2 = Straight Black Cord, A3 = Coiled White Cord, A4 = Coiled Black Cord

**Optional Finishes**

Suffix #

Suffix #

- Black Cylinder Housing ..... – B
- Bronze Cylinder Housing ..... – Z
- Galvanite Housing ..... – GAL
- Satin Aluminum Housing ..... – SA
- Metallic Aluminum Housing.... – MA

Fixture:	Type:
Project:	



**SERIES C66SLB**

LED Cylinder Downlight 4000 Lumen



5 Year Warranty

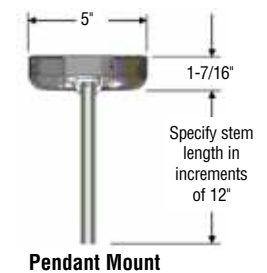
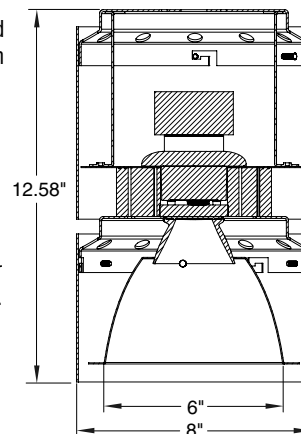
Wall Mount



Coiled Cord Mount



Straight Cord Mount



Pendant Mount

/ **6VLB** [ ] / PK12

Example: 6VLBSCLPF / PK12W

Trim	Trim Finish w/polished flange
<b>6VLB</b>	<b>Downlight Reflector</b>
	<b>SCLPF</b> – Soft Specular Clear Alzak with Polished Flange
For white painted flange, drop "PF" from Catalog #.	
For other finishes, consult reflector section.	

**Options**

- F = Fuse and Fuse Holder
- Emergency Battery Pack not available.

All Pathway® products meet or exceed requirements as established by the National Electrical Code. Specifications subject to change without notice. Alzak® is a registered trademark of Alcoa.

