



# Accent your merchandise without distraction

## PAR38 LED Retail Optic Lamps with AirFlux Technology

Philips PAR38 LED Retail Optic Lamps with AirFlux Technology improves shopping experience with superior lighting aesthetics and optimal thermal efficiency in a sleek, lightweight design.

### Benefits

- Will not fade colors, avoids inventory spoilage
- Lowers maintenance costs by reducing re-lamp frequency
- 5-year limited warranty†

### Features

- Retail Optic reduces glare to improve shopper experience
- 25,000-hour rated average life\*
- 19W PAR38 saves 101W watts when compared to a 120W halogen PAR38
- 83 CRI for excellent color rendering
- Virtually UV/IR free in the beam
- Smooth dimming to 5% of full light level‡
- Contains no mercury

### Warnings and Safety

- Suitable for use in damp locations.
- Not for use in totally enclosed luminaires.



Related products

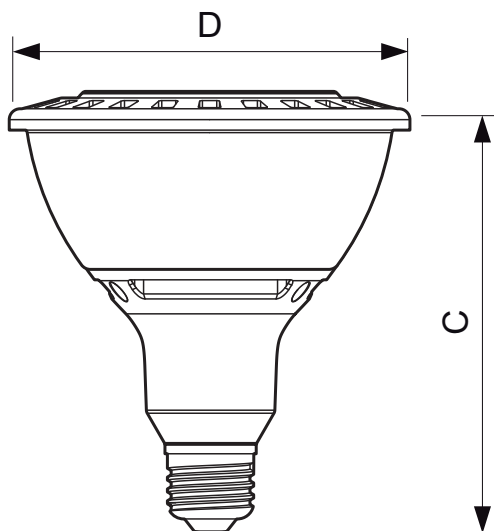
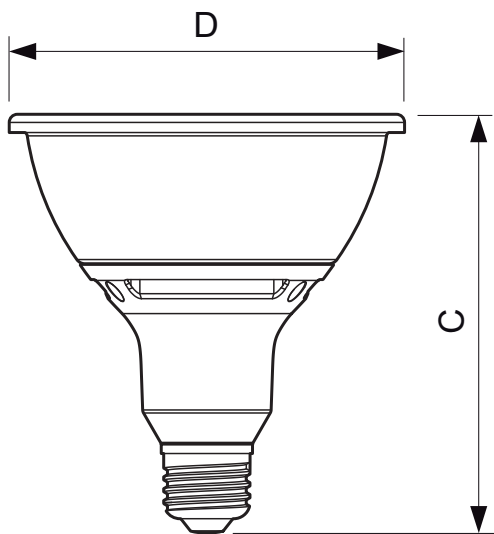


E26 120V PAR38



13W, 19W E26 120V PAR38 15D

Dimensional drawing



19PAR38/F25 2700 DIM AF RO 6/1

Product	C (Norm)	C1 (Max)	D (Norm)	D1 (Norm)
LED 19W E26 2700K PAR38 25D DIM	130	-	120	-
LED 19W E26 3000K PAR38 25D DIM	130	-	120	-
LED 19W E26 4000K PAR38 25D DIM	130	-	120	-
LED 19W E26 2700K PAR38 36D DIM	130	-	120	-
LED 19W E26 3000K PAR38 36D DIM	130	-	120	-
LED 19W E26 4000K PAR38 36D DIM	130	-	120	-
LED 13W E26 2700K PAR38 25D DIM	130	-	120	-
LED 13W E26 3000K PAR38 25D DIM	130	-	120	-
LED 13W E26 4000K PAR38 25D DIM	130	-	120	-
LED 13W E26 2700K PAR38 36D DIM	130	-	120	-
LED 13W E26 3000K PAR38 36D DIM	130	-	120	-
LED 13W E26 4000K PAR38 36D DIM	130	-	120	-

13PAR38/S15 2700 DIM AF RO 6/1

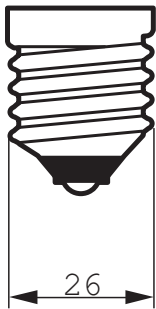
Product	C (Norm)	C1 (Max)	D (Norm)	D1 (Norm)
LED 13W E26 2700K 120V PAR38 DIM	130	-	120	-
LED 13W E26 3000K 120V PAR38 DIM	130	-	120	-
LED 13W E26 4000K 120V PAR38 DIM	130	-	120	-
LED 19W E26 2700K 120V PAR38 DIM	130	-	120	-
LED 19W E26 3000K 120V PAR38 DIM	130	-	120	-
LED 19W E26 4000K 120V PAR38 DIM	130	-	120	-

General Characteristics

Product number	Full product name	Cap-Base	Bulb	Rated Avg. Life (Hours)	Rated Lifetime (years)
429084	19PAR38/F25 2700 DIM AF RO 6/1	E26	PAR38	45000 hr	41.1 an
429092	19PAR38/F25 3000 DIM AF RO 6/1	E26	PAR38	45000 hr	41.1 an
429100	19PAR38/F25 4000 DIM AF RO 6/1	E26	PAR38	45000 hr	41.1 an
429118	19PAR38/F36 2700 DIM AF RO 6/1	E26	PAR38	45000 hr	41.1 an
429126	19PAR38/F36 3000 DIM AF RO 6/1	E26	PAR38	45000 hr	41.1 an
429134	19PAR38/F36 4000 DIM AF RO 6/1	E26	PAR38	45000 hr	41.1 an
430066	13PAR38/F25 2700 DIM AF RO 6/1	E26	PAR38	45000 hr	41.1 an
430074	13PAR38/F25 3000 DIM AF RO 6/1	E26	PAR38	45000 hr	41.1 an
430082	13PAR38/F25 4000 DIM AF RO 6/1	E26	PAR38	45000 hr	41.1 an
430090	13PAR38/F36 2700 DIM AF RO 6/1	E26	PAR38	45000 hr	41.1 an

Product number	Full product name	Cap-Base	Bulb	Rated Avg. Life (Hours)	Rated Lifetime (years)
430108	13PAR38/F36 3000 DIM AF RO 6/1	E26	PAR38	45000 hr	41.1 an
430116	13PAR38/F36 4000 DIM AF RO 6/1	E26	PAR38	45000 hr	41.1 an
430033	13PAR38/S15 2700 DIM AF RO 6/1	E26	PAR38	45000 hr	41.1 an
430041	13PAR38/S15 3000 DIM AF RO 6/1	E26	PAR38	45000 hr	41.1 an
430058	13PAR38/S15 4000 DIM AF RO 6/1	E26	PAR38	45000 hr	41.1 an
430009	19PAR38/S15 2700 DIM AF RO 6/1	E26	PAR38	45000 hr	41.1 an
430017	19PAR38/S15 3000 DIM AF RO 6/1	E26	PAR38	45000 hr	41.1 an
430025	19PAR38/S15 4000 DIM AF RO 6/1	E26	PAR38	45000 hr	41.1 an

Installation diagrams



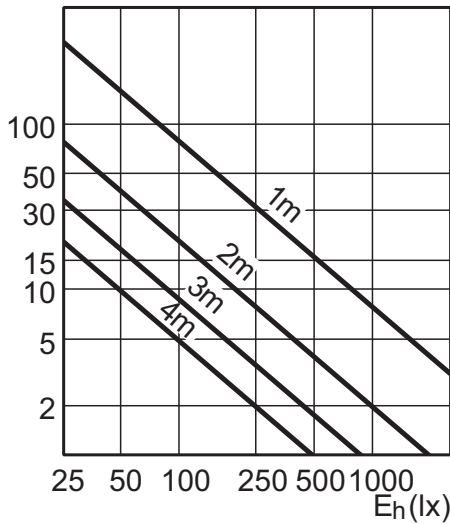
E26

Light Technical Characteristics

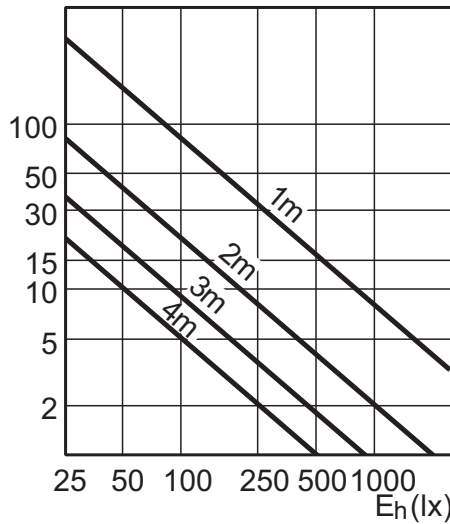
Product number	Full product name	Color Code	Beam Angle	Beam Description	Approx. MBCP	CRI	Color Temp. (Kelvin)	Rated Luminous Flux
429084	19PAR38/F25 2700 DIM AF RO 6/1	WW	25 D	25D	6800 cd	80	2700 K	1200 Lm
429092	19PAR38/F25 3000 DIM AF RO 6/1	WH	25 D	25D	7100 cd	80	3000 K	1250 Lm
429100	19PAR38/F25 4000 DIM AF RO 6/1	CW	25 D	25D	7500 cd	82	4000 K	1300 Lm
429118	19PAR38/F36 2700 DIM AF RO 6/1	WW	36 D	36D	3200 cd	80	2700 K	1200 Lm
429126	19PAR38/F36 3000 DIM AF RO 6/1	WH	36 D	36D	3400 cd	80	3000 K	1250 Lm
429134	19PAR38/F36 4000 DIM AF RO 6/1	CW	36 D	36D	3600 cd	81	4000 K	1300 Lm

Product number	Full product name	Color Code	Beam Angle	Beam Description	Approx. MBCP	CRI	Color Temp. (Kelvin)	Rated Luminous Flux
430066	13PAR38/F25 2700 DIM AF RO 6/1	WW	25 D	25D	5300 cd	80	2700 K	900 Lm
430074	13PAR38/F25 3000 DIM AF RO 6/1	WH	25 D	25D	5500 cd	80	3000 K	950 Lm
430082	13PAR38/F25 4000 DIM AF RO 6/1	CW	25 D	25D	5500 cd	81	4000 K	1000 Lm
430090	13PAR38/F36 2700 DIM AF RO 6/1	WW	36 D	36D	2600 cd	80	2700 K	900 Lm
430108	13PAR38/F36 3000 DIM AF RO 6/1	WH	36 D	36D	2750 cd	81	3000 K	950 Lm
430116	13PAR38/F36 4000 DIM AF RO 6/1	CW	36 D	36D	2750 cd	82	4000 K	1000 Lm
430033	13PAR38/S15 2700 DIM AF RO 6/1	WH	15 D	-	7700 cd	80	2700 K	900 Lm
430041	13PAR38/S15 3000 DIM AF RO 6/1	WH	15 D	-	8100 cd	80	3000 K	950 Lm
430058	13PAR38/S15 4000 DIM AF RO 6/1	WH	15 D	-	8600 cd	80	4000 K	1000 Lm
430009	19PAR38/S15 2700 DIM AF RO 6/1	WH	15 D	-	10000 cd	80	2700 K	1200 Lm
430017	19PAR38/S15 3000 DIM AF RO 6/1	WH	15 D	-	10400 cd	80	3000 K	1250 Lm
430025	19PAR38/S15 4000 DIM AF RO 6/1	WH	15 D	-	11000 cd	81	4000 K	1300 Lm

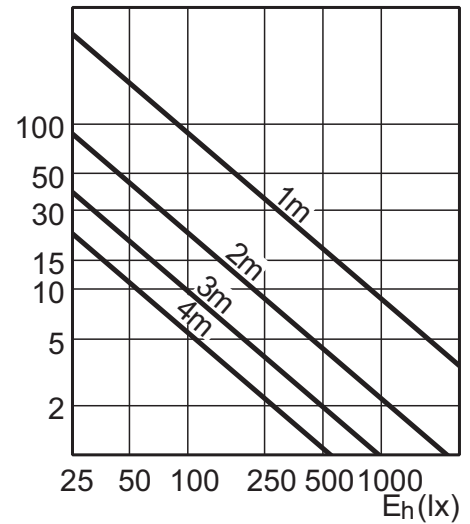
Light technical



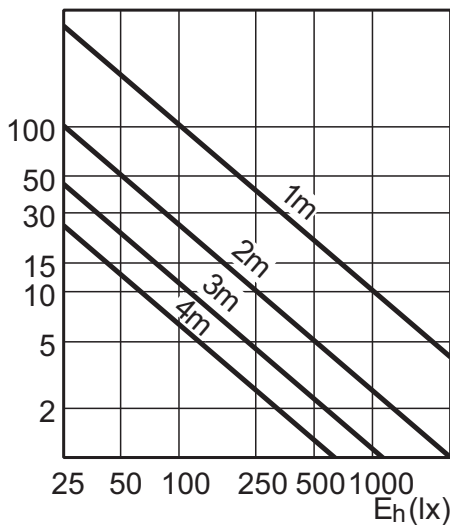
13W E26 2700K 120V WH 15D



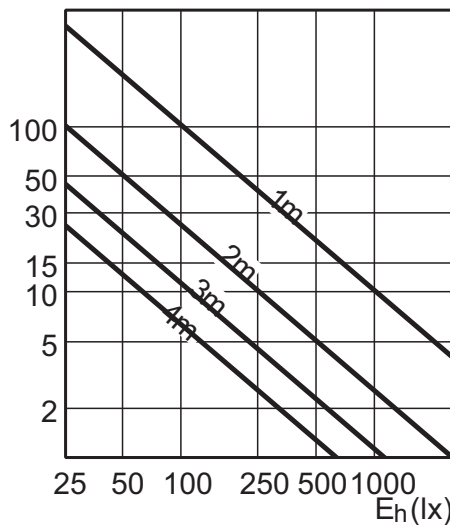
13W E26 3000K 120V WH 15D



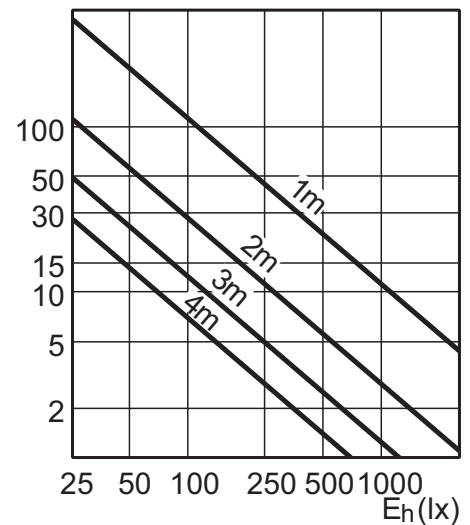
13W E26 4000K 120V WH 15D



19W E26 2700K 120V WH 15D

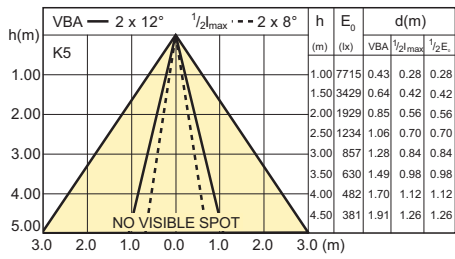


19W E26 3000K 120V WH 15D

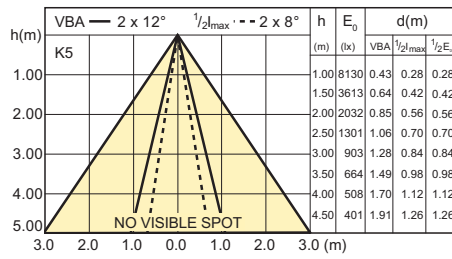


19W E26 4000K 120V WH 15D

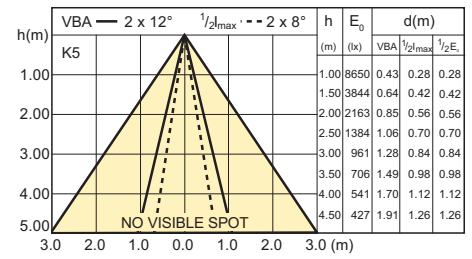
Light technical



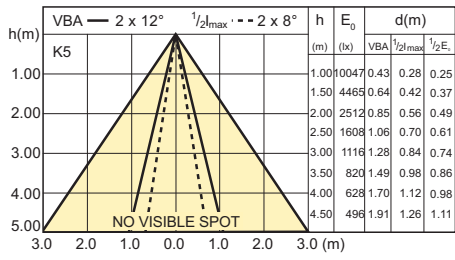
13W E26 2700K 120V WH 15D



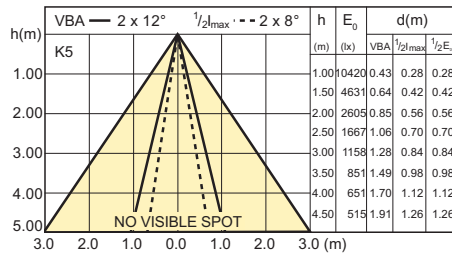
13W E26 3000K 120V WH 15D



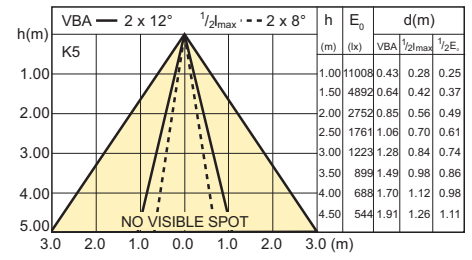
13W E26 4000K 120V WH 15D



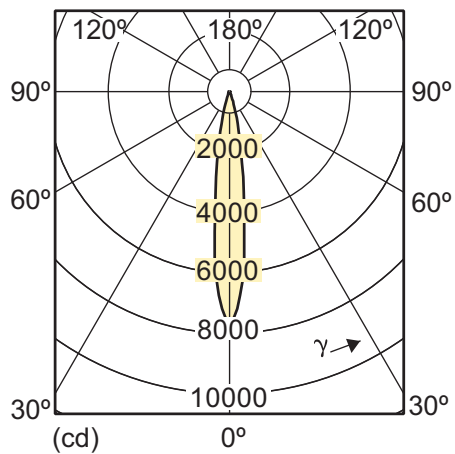
19W E26 2700K 120V WH 15D



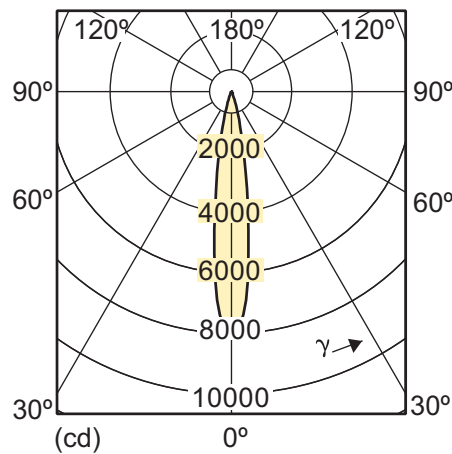
19W E26 3000K 120V WH 15D



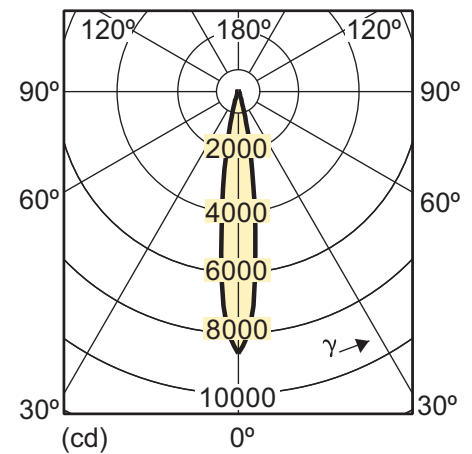
19W E26 4000K 120V WH 15D



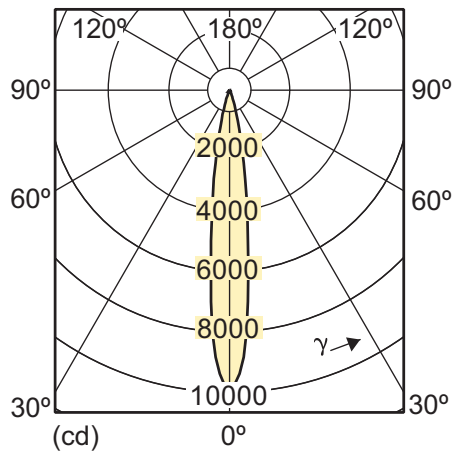
13W E26 2700K 120V WH 15D



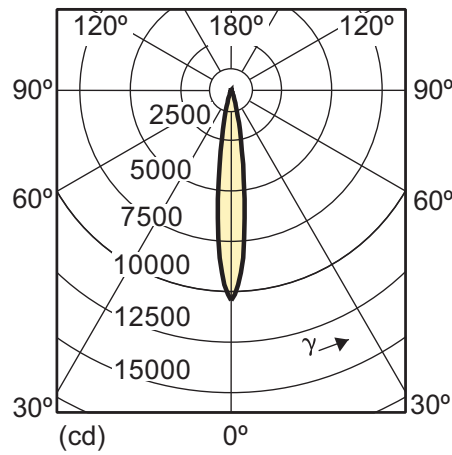
13W E26 3000K 120V WH 15D



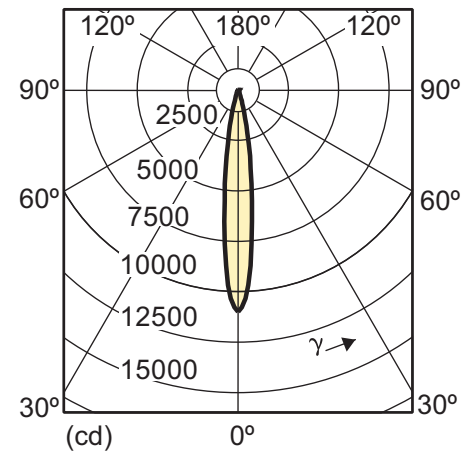
13W E26 4000K 120V WH 15D



19W E26 2700K 120V WH 15D



19W E26 3000K 120V WH 15D



19W E26 4000K 120V WH 15D

Electrical Characteristics

Product number	Full product name	Wattage	Voltage	Line Frequency	Dimmable	Wattage Equivalent	Product number	Full product name	Wattage	Voltage	Line Frequency	Dimmable	Wattage Equivalent
429084	19PAR38/F 25 2700 DIM AF RO 6/1	19 W	120 V	60 Hz	Yes	-	430041	13PAR38/S 15 3000 DIM AF RO 6/1	13 W	120 V	60 Hz	Yes	75 W
429092	19PAR38/F 25 3000 DIM AF RO 6/1	19 W	120 V	60 Hz	Yes	-	430058	13PAR38/S 15 4000 DIM AF RO 6/1	13 W	120 V	60 Hz	Yes	75 W
429100	19PAR38/F 25 4000 DIM AF RO 6/1	19 W	120 V	60 Hz	Yes	-	430009	19PAR38/S 15 2700 DIM AF RO 6/1	19 W	120 V	60 Hz	Yes	100 W
429118	19PAR38/F 36 2700 DIM AF RO 6/1	19 W	120 V	60 Hz	Yes	-	430017	19PAR38/S 15 3000 DIM AF RO 6/1	19 W	120 V	60 Hz	Yes	100 W
429126	19PAR38/F 36 3000 DIM AF RO 6/1	19 W	120 V	60 Hz	Yes	-	430025	19PAR38/S 15 4000 DIM AF RO 6/1	19 W	120 V	60 Hz	Yes	100 W
429134	19PAR38/F 36 4000 DIM AF RO 6/1	19 W	120 V	60 Hz	Yes	-							
430066	13PAR38/F 25 2700 DIM AF RO 6/1	13 W	120 V	60 Hz	Yes	100 W							
430074	13PAR38/F 25 3000 DIM AF RO 6/1	13 W	120 V	60 Hz	Yes	100 W							
430082	13PAR38/F 25 4000 DIM AF RO 6/1	13 W	120 V	60 Hz	Yes	100 W							
430090	13PAR38/F 36 2700 DIM AF RO 6/1	13 W	120 V	60 Hz	Yes	100 W							
430108	13PAR38/F 36 3000 DIM AF RO 6/1	13 W	120 V	60 Hz	Yes	100 W							
430116	13PAR38/F 36 4000 DIM AF RO 6/1	13 W	120 V	60 Hz	Yes	100 W							
430033	13PAR38/S 15 2700 DIM AF RO 6/1	13 W	120 V	60 Hz	Yes	75 W							

Measuring Conditions

Product number	Full product name	Switching cycle
429084	19PAR38/F25 2700 DIM AF RO 6/1	20000x
429092	19PAR38/F25 3000 DIM AF RO 6/1	20000x
429100	19PAR38/F25 4000 DIM AF RO 6/1	20000x
429118	19PAR38/F36 2700 DIM AF RO 6/1	20000x
429126	19PAR38/F36 3000 DIM AF RO 6/1	20000x
429134	19PAR38/F36 4000 DIM AF RO 6/1	20000x
430066	13PAR38/F25 2700 DIM AF RO 6/1	20000x
430074	13PAR38/F25 3000 DIM AF RO 6/1	20000x
430082	13PAR38/F25 4000 DIM AF RO 6/1	20000x
430090	13PAR38/F36 2700 DIM AF RO 6/1	20000x
430108	13PAR38/F36 3000 DIM AF RO 6/1	20000x
430116	13PAR38/F36 4000 DIM AF RO 6/1	20000x
430033	13PAR38/S15 2700 DIM AF RO 6/1	20000x
430041	13PAR38/S15 3000 DIM AF RO 6/1	20000x
430058	13PAR38/S15 4000 DIM AF RO 6/1	20000x
430009	19PAR38/S15 2700 DIM AF RO 6/1	20000x
430017	19PAR38/S15 3000 DIM AF RO 6/1	20000x
430025	19PAR38/S15 4000 DIM AF RO 6/1	20000x



© 2013 Koninklijke Philips Electronics N.V.  
All rights reserved.

Specifications are subject to change without notice. Trademarks are the property of Koninklijke Philips Electronics N.V. or their respective owners.

[www.philips.com/lighting](http://www.philips.com/lighting)

2013, May 1  
data subject to change