

LED Accent Simplified

COREPRO LED MINI CYLINDER TRACK HEAD

The Philips Lightolier CorePro LED Mini Cylinder track head combines classic, small form design with the benefits of LED technology. This mini cylinder delivers both lumen and CBCP performance equivalent to that of most 50W MR16 halogen luminaires while consuming 82% less energy and providing easy maintenance. The completely integrated driver, thermal management and unitized optics provide sleek aesthetics while delivering a uniform beam, making it the easy choice for many retail, residential, and hospitality accent lighting needs.

Benefits

- An affordable solution to convert from traditional technologies to an integrated LED fixture.
- No need to replace halogen lamps and bi-pin sockets.
- No compatibility concerns with electronic transformers.
- Provides the efficiency, output and lifetime only an integrated LED solution can offer.
- Consumes 82% less energy than a 50W MR16.
- Higher flux than available LED MR16 lamps.



Actual Size



PHILIPS
LIGHTOLIER

COREPRO LED MINI CYLINDER TRACK HEAD



The Philips Lightolier CorePro LED Mini Cylinder is a completely integrated LED luminaire. By combining the optics, light source, thermal management system and driver into a single housing, this luminaire provides a sleek look suitable for lower mounting heights and smaller spaces. This small, sleek luminaire design offers efficacy up to 80lm/w.

Features

- Efficiency: 80lm/w
 - CCT: 3000K
 - CRI: 80
 - Lumens: 700lm
 - Wattage: 8.9W (max)
 - Voltage: 120V (50/60Hz)
 - CBCP: 2,926 (RNF)
 - 50,000 hour rated life (L70)
 - 5-year limited warranty¹
-
- Constructed of extruded aluminum and steel with a powder-coated finish.
 - CorePro LED Mini Cylinder fits all Lytespan track (Basic, Radius and Advent).



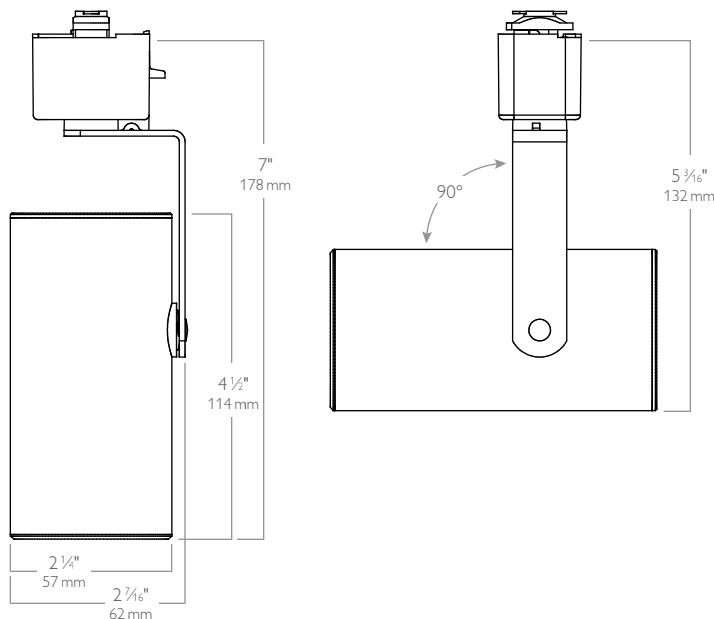
1. Based on standard 5-year limited warranty. <http://www.usa.lighting.philips.com/connect/assets/LED-WARRANTY-REVISED-v-3-2013-IPS-Id.pdf>

2. Consult factory for availability.

Ordering guide

example: LT08RNF830BK

Series	Lumens	Beam Spread	CRI	CCT	Finish
<input type="text" value="LT"/>	<input type="text" value="08"/>	<input type="text"/>	<input type="text"/>	<input type="text" value="30"/>	<input type="text"/>
LT CorePro LED Mini Cylinder	08 700lm	RNF 20° Narrow Flood RWF 35° Wide Flood	8 80 9 90 ²	30 3000K	AL Aluminum ² BK Black WH White



© 2014 Koninklijke Philips N.V. All rights reserved.
Specifications are subject to change without notice.
www.philips.com/luminaires

PLI-1410BN 06/14

Philips Lighting
North America Corporation
200 Franklin Square Drive
Somerset, NJ 08873
Phone: 855-486-2216

Philips Electronics Ltd.
281 Hillmount Road
Markham ON, Canada L6C 2S3
Telephone: 800-668-9008