

eW Cove Powercore

An EssentialWhite™ Product



eW® Cove Powercore is a dimmable, line-voltage, linear light fixture for common medium-luminance alcove applications. Its low profile makes it a perfect choice for many retail, exhibit, hospitality, and architectural interior settings.

Runs of up to 100 linear feet on a single circuit are possible as well as very smooth dimming. An integrated mounting bracket, end-to-end connections, and an optional mounting track ensure a simple, fast installation.

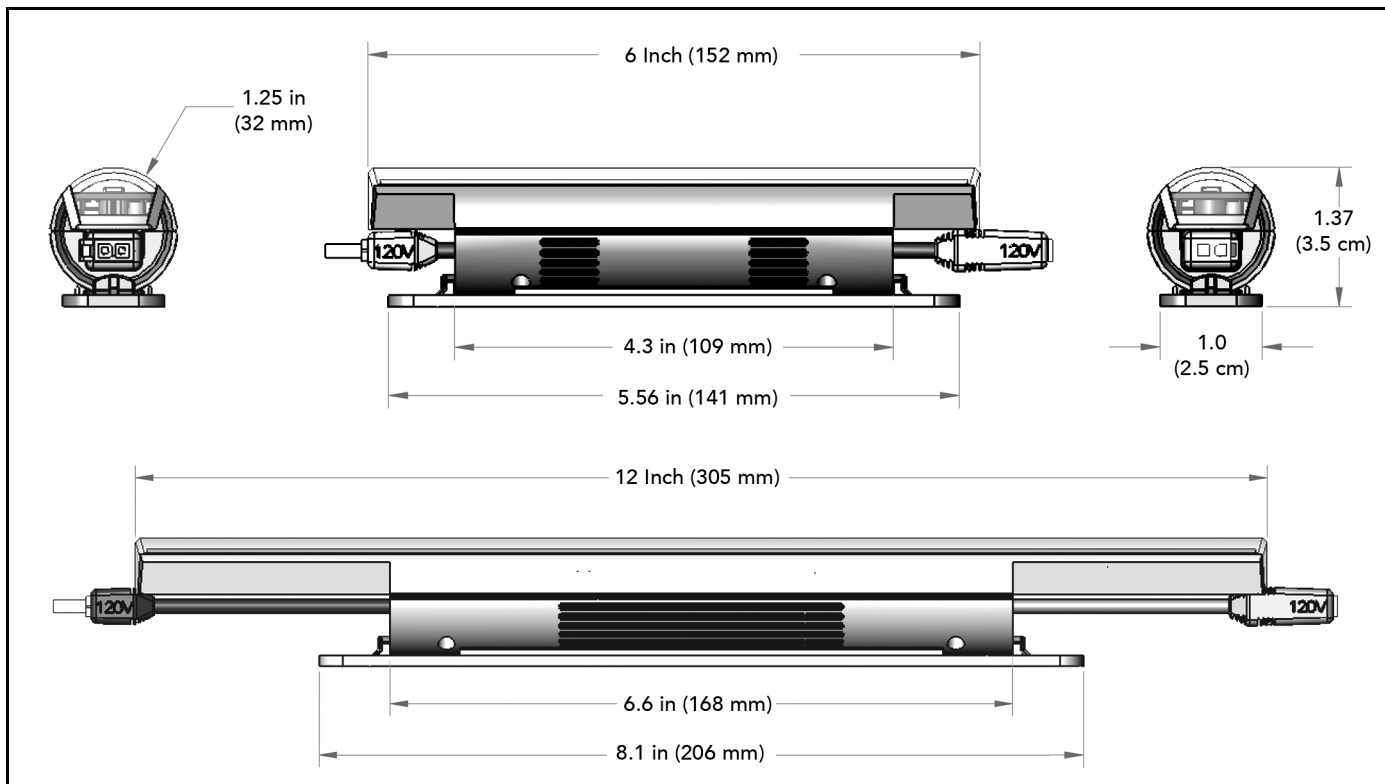
- Integral mounting bracket with 180° rotation
- Low power consumption (<6 W start-up; 4.5 W steady-state)
- End-to-end connections
- Color temperatures of 2800 K and 4200 K
- Sizes of 12 in (305 mm) and 6 in (152 mm)
- Up to 100 12 Inch or 150 6 Inch fixtures may be used in a series
- Powercore® technology supports 100, 120, and 230 VAC line voltage for simple installations and long runs
- DIMand™ technology provides smooth dimming capability with ELV-type dimmers
- Optibin® technology ensures uniform light quality

OPTIBIN®
CK TECHNOLOGY
POWERCORE®
CK TECHNOLOGY
DIMAND™
CK TECHNOLOGY



PHILIPS

eW Cove Powercore Dimensions

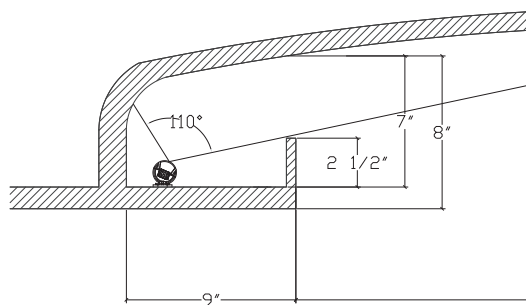


eW Cove Powercore Beam Angle



Typical Installation Cut-Away

eW Cove Powercore fixtures can be used in a variety of cove sites. A typical setup is shown below.



eW Cove Powercore Specifications

Specifications are subject to change without notice.

	6-Inch Fixture	12-Inch Fixture
Length	6 in (152 mm)	12 in (305 mm)
Width	1.25 in (32 mm) (tube diameter)	
Height	1.37 in (35 mm)	
Weight	3 oz. (85 g)	5 oz. (142 g)
Source	High-efficacy (>40 LPW), high-brightness LEDs that enable eW Cove Powercore installations to meet California Title 24 requirements.	
Color Temperature	2800 K (+375/-300) or 4200 K (+400/-500)	
LEDs Per Fixture	3	5
CRI	71: 2800 K 79: 4200 K	71: 2800 K 77: 4200 K
Total Output (Lumens)	64: 2800 K 72: 4200 K	135: 2800 K 177: 4200 K
Efficacy (Lm/W)	30.7: 2800 K 39.3: 4200 K	30.7: 2800 K 39.3: 4200 K
Beam Angle	110° x 110°	
Mixing Distance	2 in (51 mm) to uniform light	
Housing	Charcoal gray, UL-recognized, injection-molded plastic.	
Lens	Clear polycarbonate	
Environment	UL Dry; CE IP20	
Inter-fixture Connectors	IEC 15 A (max) with C13 plug	
Maximum Run Length	150 fixtures	100 fixtures
Leader Cable	2-pole, 2-wire, 15 A (sold separately)	
Listings	UL/CUL (120 VAC), CE	
Control	Line switches or ELV (electronic low voltage) commercially-available dimmers.	
Line Voltage	100, 120, or 230 VAC	
Power Consumption	4 W max. at start-up 2.2 W max. steady state	6 W max. at start-up 4.5 W max. steady state
Temperature Range	-4°F – 122°F (-20°C – 50°C) operating temperature	
Humidity Range	0 – 95% non-condensing	
LED Source Life	50,000 hours, based on LED manufacturers' test data	

eW Cove Powercore Ordering Information

eW Cove Powercore Item Numbers

Voltage	Size	Color Temp.	Item Number	Part Number
100 VAC	12 Inch (305 mm)	2800 K	523-000004-02	910503700203
		4200 K	523-000004-05	910503700204
	6 Inch (152 mm)	2800 K	523-000005-02	910503700205
		4200 K	523-000005-05	910503700206
120 VAC	12 Inch (305 mm)	2800 K	523-000004-00	910403600103
		4200 K	523-000004-03	910403600104
	6 Inch (152 mm)	2800 K	523-000005-00	910403600105
		4200 K	523-000005-03	910403600106
230 VAC	12 Inch (305 mm)	2800 K	523-000004-01	910403325701
		4200 K	523-000004-04	910403325801
	6 Inch (152 mm)	2800 K	523-000005-01	910403325501
		4200 K	523-000005-04	910403325601

Accessories for eW Cove Powercore Fixtures

Use one leader cable to connect line power to a series of fixtures. Each leader cable includes a terminator that must be installed in the last fixture in the series. Jumper cables and tracks are optional.

Leader Cable	Item Number	Part Number
10 ft (3 m) UL-listed leader cable for permanent installations	108-000032-00	910403600100
10 ft (3 m) CE approved leader cable	108-000032-02	910403325901

Jumper Cable	Item Number	Part Number
1 ft (305 mm) UL-listed jumper cable — provides spacing between series segments	108-000033-00	910403600101
5 ft (1.5 m) UL-listed jumper cable — provides spacing between series segments	108-000033-01	910403600102
1 ft (305 mm) CE approved jumper cable — provides spacing between series segments	108-000033-02	910403326001
5 ft (1.5 m) CE approved jumper cable — provides spacing between series segments	108-000033-03	910403326101

Mounting Tracks	Item Number	Part Number
Box of 25 4 ft (1219 mm) mounting tracks — aligns straight runs of fixtures	523-000006-00	910403326201

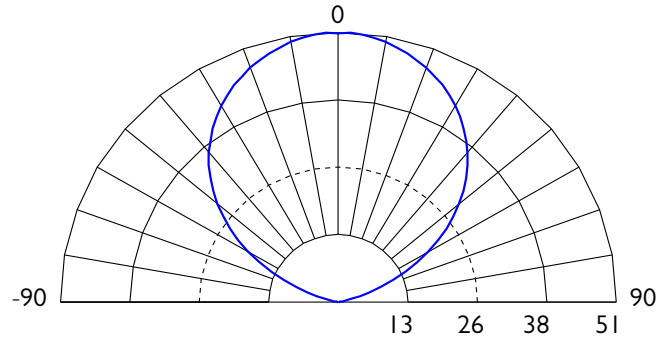
eW Cove Powercore 12-Inch 2800 K Photometrics

Photometric data in each illustration is based on independent testing lab results. IES data is available at <http://www.colorkinetics.com/support/ies>. The tested fixture had these specifications:

Voltage	120 VAC
Optics	None
Lens	Optically clear polycarbonate
Source	5 LEDs
Beam Angle	110° x 110°
Distribution	Symmetric direct illumination

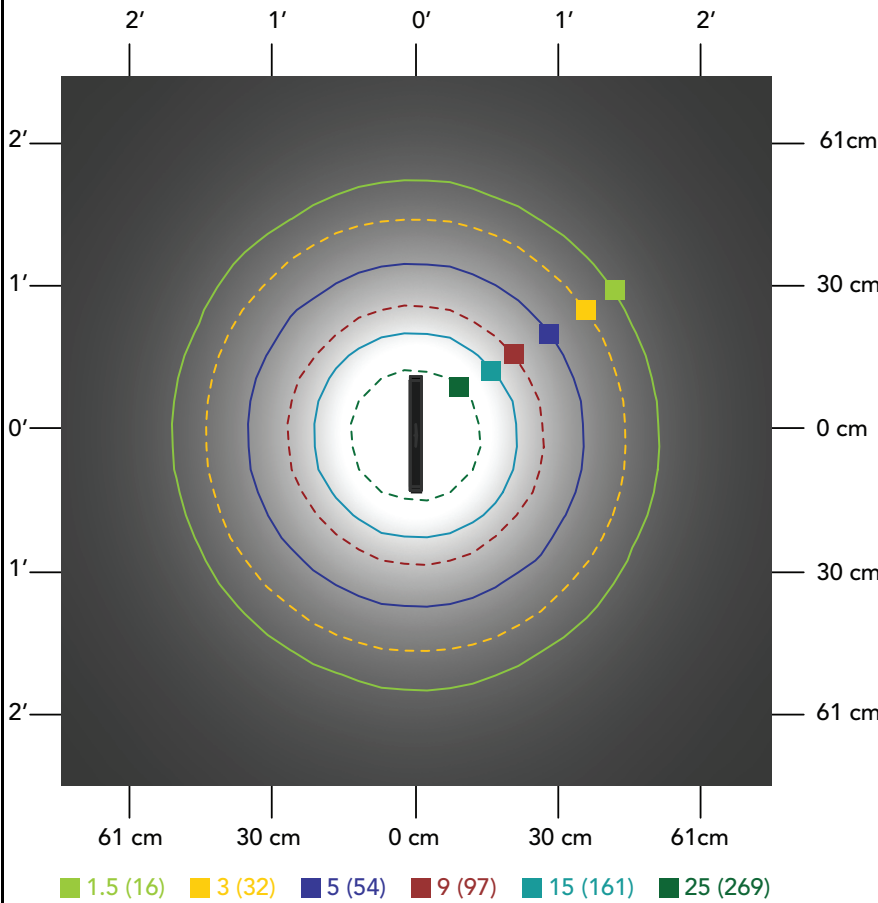
Candle Power Distribution

The dashed line indicates that 26 candela is 50% of peak.



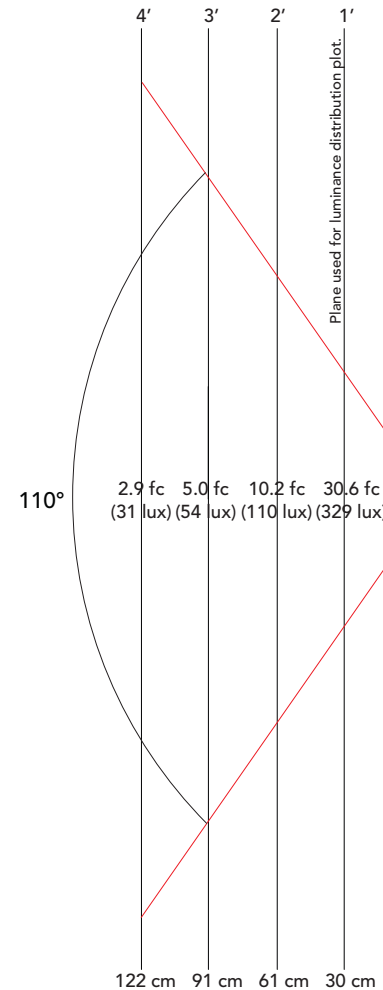
Illuminance Distribution

This illustration shows the plane 1 ft (305 mm) from the fixture. Data is in footcandles and (lux).



Illuminance Beam Angle

This illustration shows measurement of the center beam and the fixture's angle. Data is in footcandles and (lux).



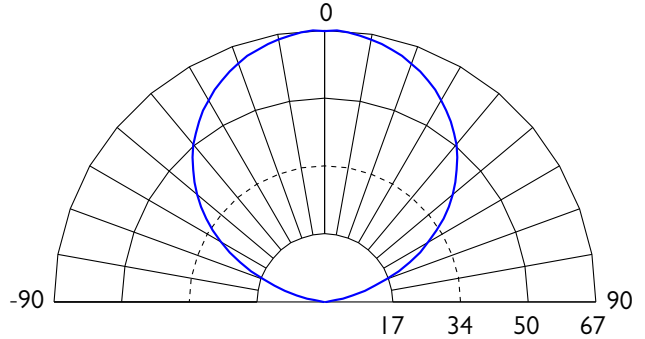
eW Cove Powercore 12-Inch 4200 K Photometrics

Photometric data in each illustration is based on independent testing lab results. IES data is available at <http://www.colorkinetics.com/support/ies>. The tested fixture had these specifications:

Voltage	120 VAC
Optics	None
Lens	Optically clear polycarbonate
Source	5 LEDs
Beam Angle	110° x 110°
Distribution	Symmetric direct illumination

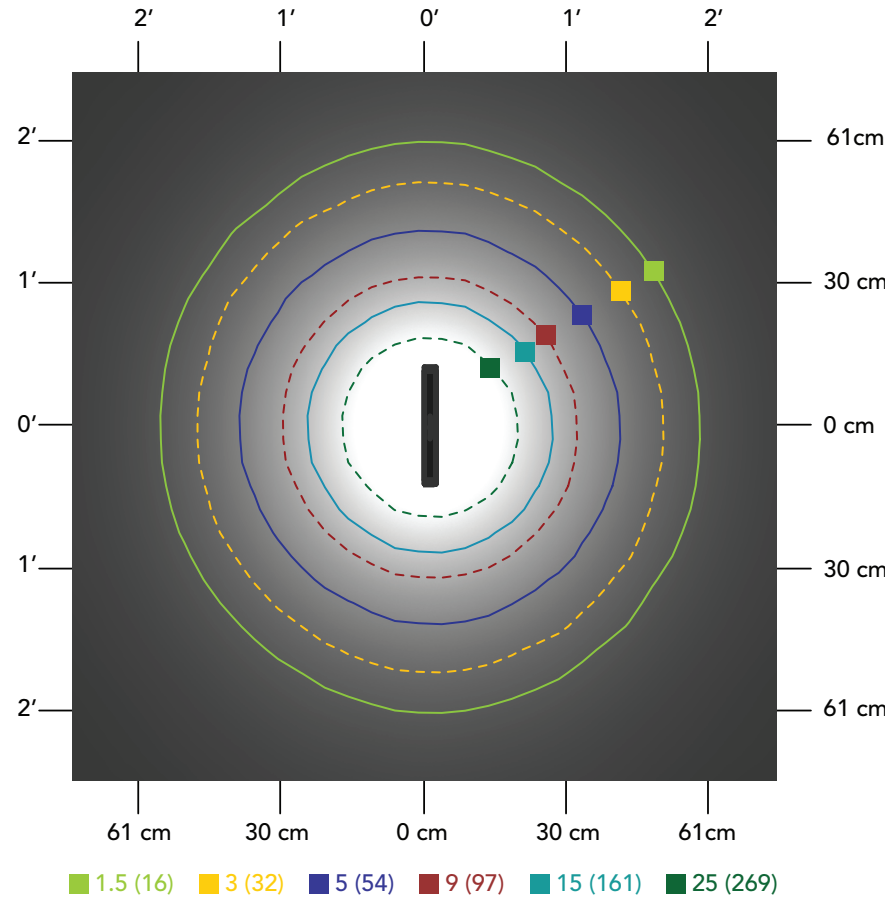
Candle Power Distribution

The dashed line indicates that 34 candela is 50% of peak.



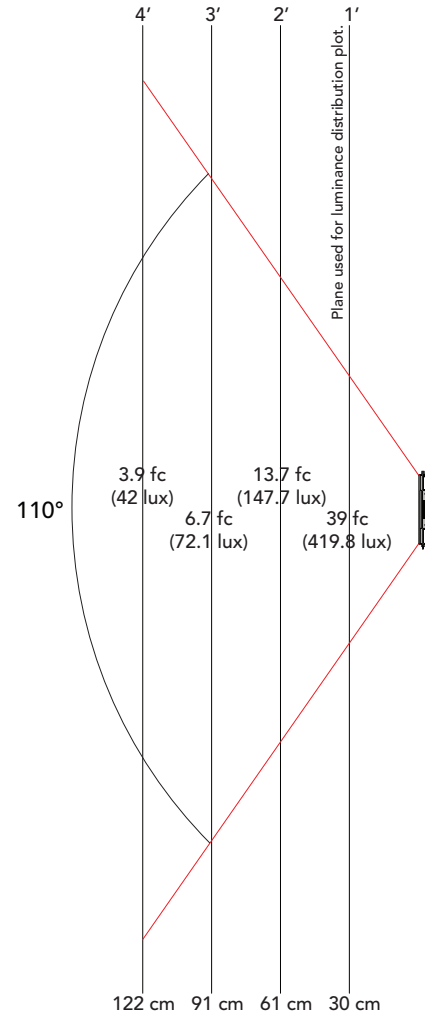
Illuminance Distribution

This illustration shows the plane 1 ft (305 mm) from the fixture. Data is in footcandles and (lux).



Illuminance Beam Angle

This illustration shows measurement of the center beam and the fixture's angle. Data is in footcandles and (lux).



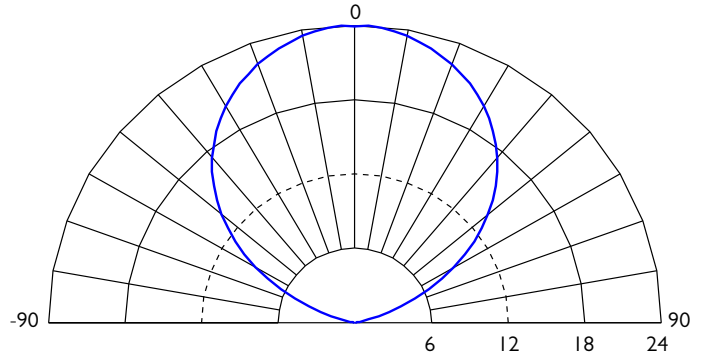
eW Cove Powercore 6-Inch 2800 K Photometrics

Photometric data in each illustration is based on independent testing lab results. IES data is available at <http://www.colorkinetics.com/support/ies>. The tested fixture had these specifications:

Voltage	120 VAC
Optics	None
Lens	Optically clear polycarbonate
Source	3 LEDs
Beam Angle	110° x 110°
Distribution	Symmetric direct illumination

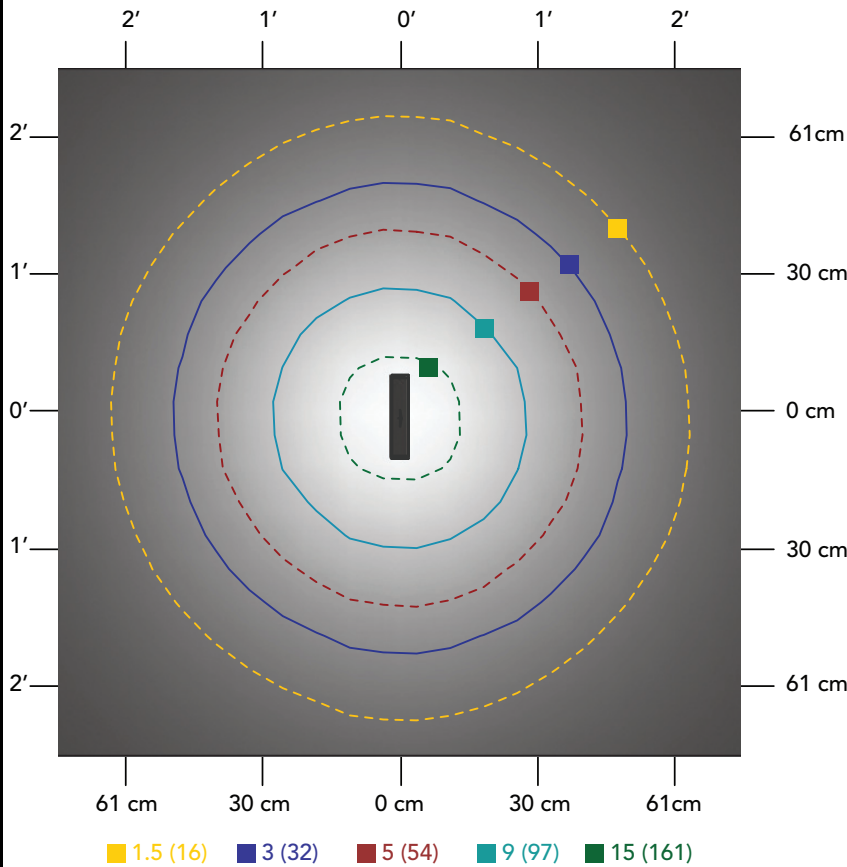
Candle Power Distribution

The dashed line indicates that 12 candela is 50% of peak.



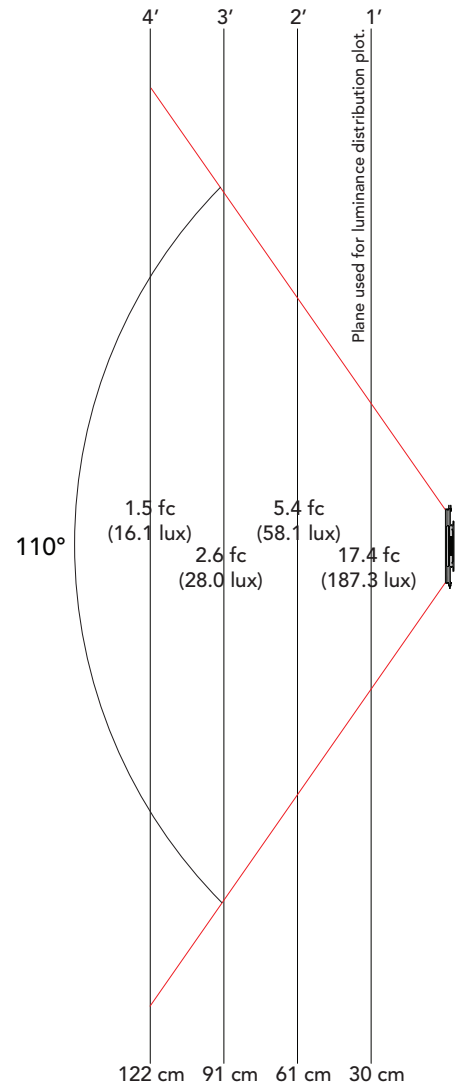
Illuminance Distribution

This illustration shows the plane 1 ft (305 mm) from the fixture. Data is in footcandles and (lux).



Illuminance Beam Angle

This illustration shows measurement of the center beam and the fixture's angle. Data is in footcandles and (lux).



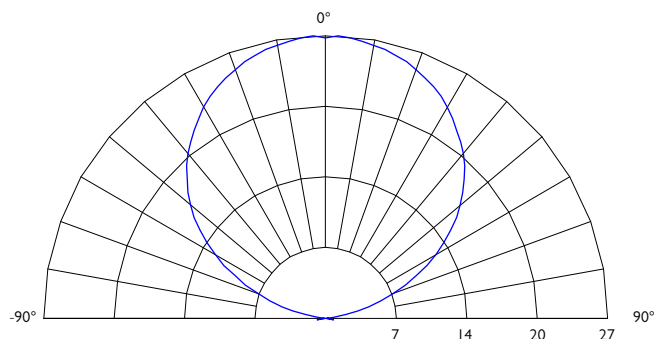
eW Cove Powercore 6-Inch 4200 K Photometrics

Photometric data in each illustration is based on independent testing lab results. IES data is available at <http://www.colorkinetics.com/support/ies>. The tested fixture had these specifications:

Voltage	120 VAC
Optics	None
Lens	Optically clear polycarbonate
Source	3 LEDs
Beam Angle	110° x 110°
Distribution	Symmetric direct illumination

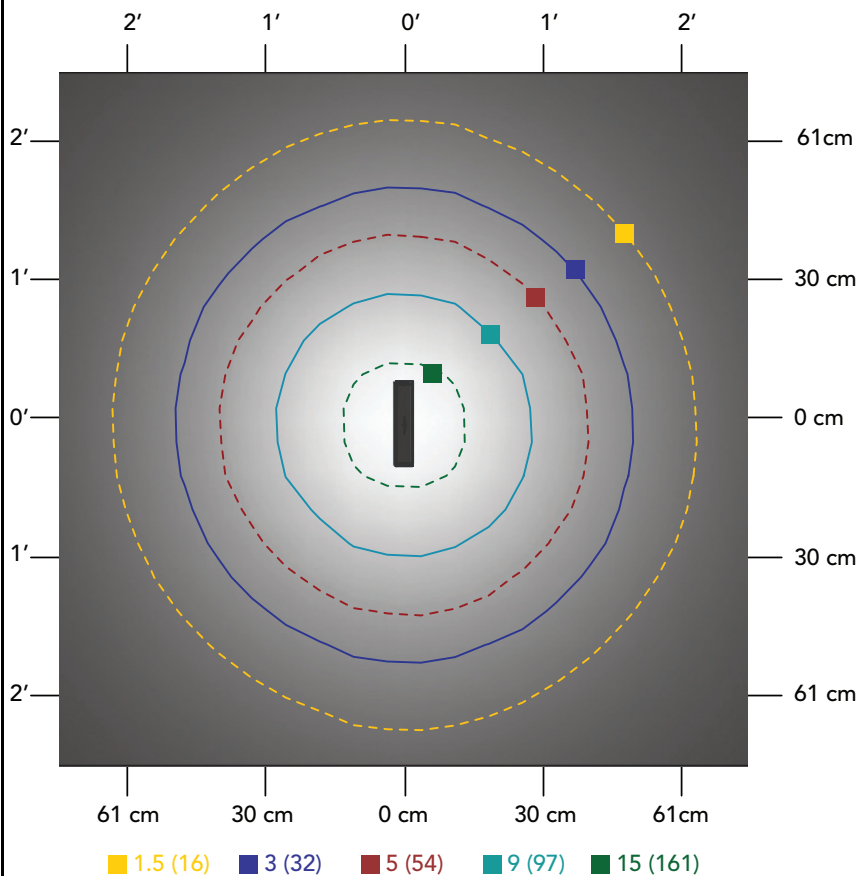
Candle Power Distribution

The dashed line indicates that 14 candela is 50% of peak.



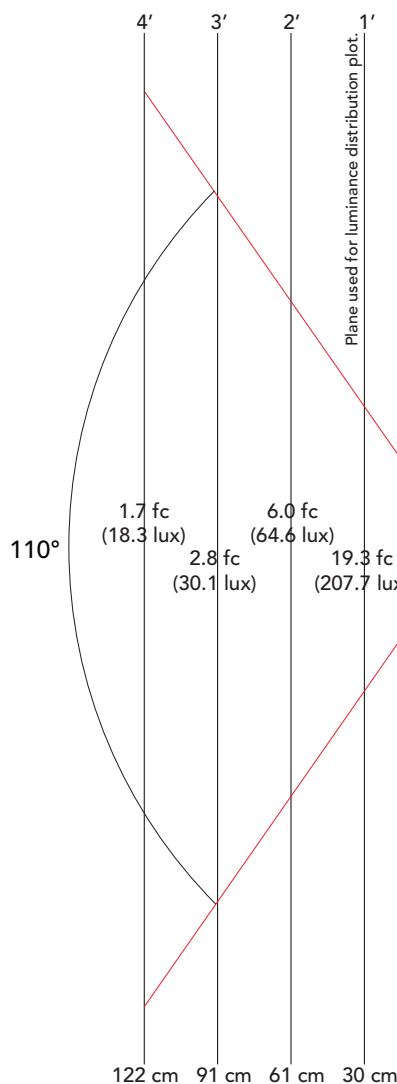
Illuminance Distribution

This illustration shows the plane 1 ft (305 mm) from the fixture. Data is in footcandles and (lux).



Illuminance Beam Angle

This illustration shows measurement of the center beam and the fixture's angle. Data is in footcandles and (lux).



Installation Details

Mounting Track

Four-foot sections of mounting track align straight runs of eW Cove Powercore fixtures. Cut the track to size and mount it to the cove substrate. Then snap the fixtures into the track, adjust its position, and attach the fixtures to the substrate (through the track) to lock them into position.

Supported Dimmers

Use standard line switches or electronic low voltage (ELV) dimmers (commercially available trailing edge or reverse phase control units) to control a series of fixtures.

Leader Cable and Series Terminators

A leader cable (upper left in Figure 2) supplies line voltage to the first fixture in the series. Lights are interconnected with keyed male/female connectors and can be spaced with 1 ft (305 mm) or 5 ft (1524 mm) jumper cables to build the series. A power terminator is installed on the last fixture (below right).

Series Length

A single series can include up to 100 12 in (305 mm) fixtures or 150 6 in (152 mm) fixtures.

Fixture Spacing

There is about an inch of horizontal play in each pair of fixtures' connectors, so the fixtures must be spaced end-to-end or with about 4.5 in (114 mm) between mounting holes in the fixture brackets. Although horizontal spacing is fixed, there is enough cable to make a greater-than-180° turn between fixtures. Use the one or five-foot jumper cables to add more distance between fixtures.

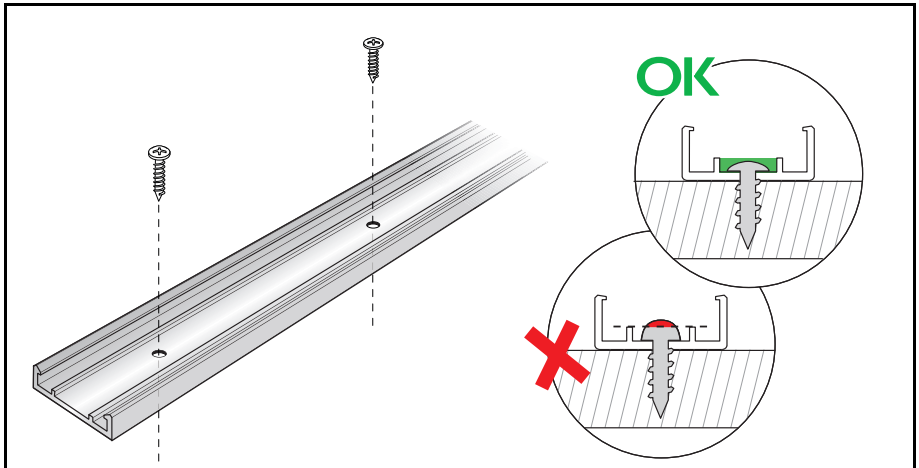


Figure 1: Optional Track Installation Detail Ensure that the screw heads are below the internal track rails.

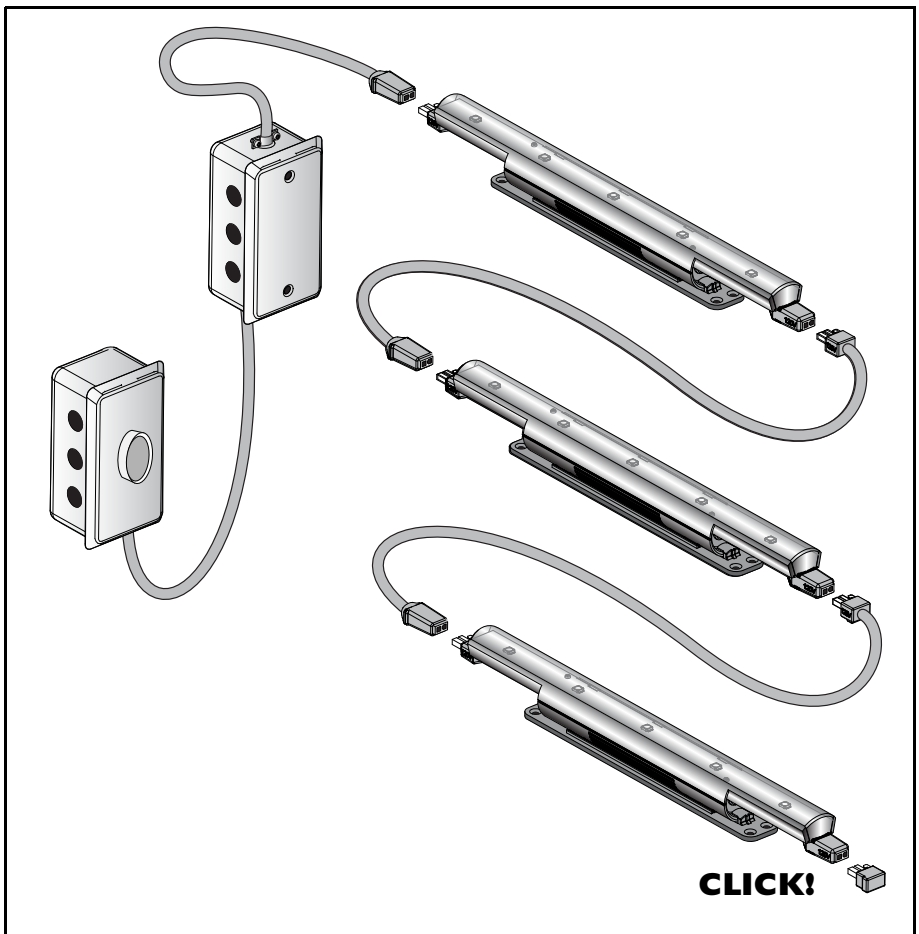
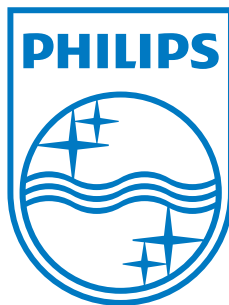


Figure 2: Leader Cable and Terminator Attachment

This page intentionally left blank

This page intentionally left blank



This product is protected by one or more of the following U.S. patents and their foreign counterparts: 6,016,038, 6,150,774, 6,292,901, 6,340,868, 6,636,003, 6,777,891, 6,969,954, 6,975,079, 7,038,399, 7,161,313, 7,186,003, 7,202,613, 7,221,104, and 7,233,115. Other patents pending.

DAS-000002-00 R17 2008-06-02

Copyright © 2008 Philips Solid-State Lighting Solutions, Inc. All rights reserved.

Chromacore, Chromasic, CK, the CK logo, Color Kinetics, the Color Kinetics logo, ColorBlast, ColorBlaze, ColorBurst, ColorCast, ColorGraze, ColorPlay, ColorReach, DIMand, Direct Light, EssentialWhite, eW, iColor, iColor Cove, IntelliWhite, iW, iPlayer, Light Without Limits, Optibin, Powercore, Sauce, the Sauce logo, and Smartjuice are either registered trademarks or trademarks of Philips Solid-State Lighting Solutions, Inc. in the United States and/or other countries.

All other brand or product names are trademarks or registered trademarks of their respective owners.

Available at www.GoodMart.com
877-402-6100
Lighting, Electrical, DataCom, Tools,
Safety Products, HVAC, Test & Measurement