



Date: \_\_\_\_\_ Type: \_\_\_\_\_

Firm Name: \_\_\_\_\_

Project: \_\_\_\_\_

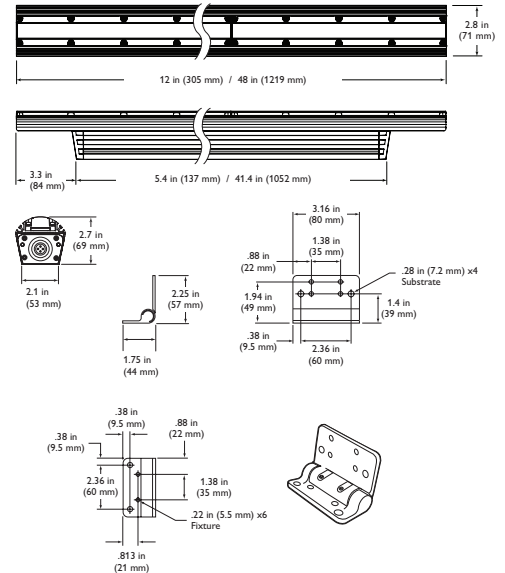
# eW Graze Powercore

2700 K, 10° x 60° Lens

Linear, LED surface light for wall washing and grazing

eW® Graze Powercore is a linear lighting fixture optimized for surface grazing and wall-washing applications requiring high-quality white or solid color light. Featuring Powercore® technology, eW Graze Powercore processes power directly from line voltage, eliminating the need for low-voltage, external power supplies. Fixtures are available in eight color temperatures, ranging from a warm 2700 K to a cool 6500 K, and five solid colors. eW Graze Powercore offers superior illumination quality and dramatic energy savings for new installations and retrofit upgrades. A space-efficient, low-profile aluminum housing and flexible mounting options allow discrete placement within a wide range of compact architectural details

- Tailor light output to specific applications — eW Graze Powercore is available in standard 1 ft and 4 ft exterior-rated housings, and standard 10° x 60° and 30° x 60° beam angles.
- High-performance illumination and beam quality — eW Graze Powercore offers superior beam quality for striation-free saturation as close as 6 in (152 mm) from fixture placement. eW Graze Powercore accommodates end-to-end or incremental placement without visible light scalloping between fixtures.
- Supports new applications for white light— Long-life LEDs (50,000 hours at 70% lumen maintenance) significantly reduce or eliminate maintenance problems, allowing the use of white or solid color lighting in spaces where bulb maintenance may be limited or unfeasible.
- Universal power input range — eW Graze Powercore accepts line voltage input of 100, 120, 220 – 240, and 277 VAC.
- Versatile installation options — Constant torque locking hinges offer simple position control from various angles without special tools. The low-profile extruded aluminum housing accommodates installation within architectural niches of many different shapes and sizes.



- Wide range of build-to-order configurations — Additional fixture lengths, beam angles, color temperatures up to 6500 K, and solid colors (Royal Blue, Blue, Green, Amber, and Red) are available as build-to-order configurations. See the eW Graze Powercore Ordering Information sheet for complete details.
- “Cool lighting” functionality — eW Graze Powercore fixtures do not heat illuminated surfaces, discharge infrared radiation or emit ultraviolet light.
- Dimming capable — Patented DIMand™ technology offers smooth dimming capability with many ELV-type dimmers.
- Trouble-free, code-compliant installation — IP66, UL wet location ratings. UL / cUL, CE, FCC, RoHS, WEEE certified.

For detailed product information, please refer to the eW Graze Powercore Product Guide at [www.colorkinetics.com/ls/essentialwhite/ewgraze/](http://www.colorkinetics.com/ls/essentialwhite/ewgraze/)



## A Green Flagship Product

Our Green Flagship Products offer significantly improved environmental performance in two or more of the following Green Focal Areas: weight, energy consumption, hazardous substances, packaging, recycling, disposal, and lifetime reliability.

**PHILIPS**

## Specifications

Due to continuous improvements and innovations, specifications may change without notice.

Item	Specification	1 ft (305 mm)	4 ft (1.2 m)	
Output	Beam Angle	10° x 60°		
	Color Temperature	2700 K (+375 / -300)		
	Lumens†	404	1616	
	Efficacy (Lm/W)	26.9		
	Mixing Distance	6 in (152 mm) to uniform beam saturation		
	Lumen Maintenance‡	100,000+ hours L70 @ 25° C 50,000 hours L70 @ 50° C		
Electrical	Input Voltage	100 / 120 / 220 – 240 / 277 VAC, 50 / 60 Hz		
	Power Consumption	15 W maximum at full output, steady state	60 W maximum at full output, steady state	
Control		Commercially available ELV control dimmers		
Physical	Dimensions (Height x Width x Depth)	2.7 x 12 x 2.8 in (69 x 305 x 71 mm)	2.7 x 48 x 2.8 in (69 x 1219 x 71 mm)	
	Weight	2.7 lb (1.2 kg)	10.8 lb (4.9 kg)	
	Housing	Extruded anodized aluminum		
	Lens	Clear polycarbonate		
	Fixture Connectors	Integral male / female waterproof connectors		
	Mounting	Multi-positional, constant torque locking hinges		
	Temperature	-40° – 122° F (-40° – 50° C) Operating -4° – 122° F (-20° – 50° C) Startup		
	Humidity	0 – 95%, non-condensing		
	Fixture Run Lengths*	88 @ 110 VAC 97 @ 20 VAC 180 @ 220 VAC 197 @ 240 VAC	Configuration: 1 ft (305 mm) fixtures installed end-to-end, 20 A circuit, standard 50 ft (15.2 m) Leader Cable	
	Certification and Safety	Certification	UL / cUL, FCC Class A, CE, RoHS, WEEE	
LED Class		Class 2 LED product		
Environment		Dry / Damp / Wet Location, IP66		

† Lumen measurement complies with IES LM-79-08.

‡ L70 = 70% maintenance of lumen output. (When light output drops below 70% of initial output.)

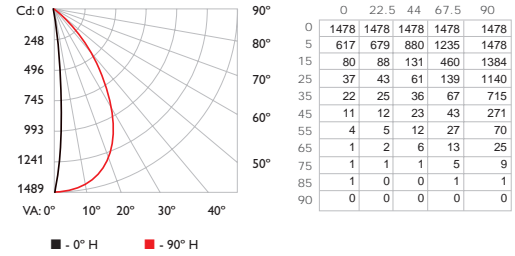
\* These figures, provided as a guideline, are accurate for this configuration only. Changing the configuration can affect the fixture run lengths.



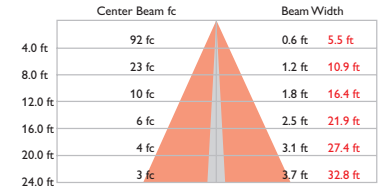
## Photometrics

2700 K, 1 ft, 10° x 60° lens

### Polar Candela Distribution



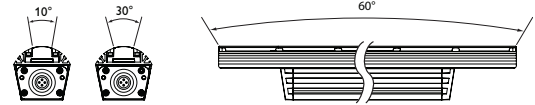
### Illuminance at Distance



■ Vert. Spread: 8.8°  
■ Horiz. Spread: 68.8°

Power Consumption	15 W
Lumens	404
Efficacy	26.9 Lm/W

For lux multiply fc by 10.7



OPTIBIN® | POWERCORE® | DIMAND®  
CKTECHNOLOGY | CKTECHNOLOGY | CKTECHNOLOGY

## Fixtures

Item	Beam Angle	Voltage	Size	Item Number	Philips 12NC
eV Graze Powercore 2700 K	10° x 60°	120 VAC	1 ft	523-000030-00	910503700276
			4 ft	523-000030-02	910503700278
			1 ft	523-000030-08	910503700284
			4 ft	523-000030-10	910503700286
		277 VAC	1 ft	523-000030-16	910503700292
			4 ft	523-000030-18	910503700294
			1 ft	523-000030-24	910503700300
			4 ft	523-000030-26	910503700302

Use Item Number when ordering in North America.

## Accessories

Item	Type	Size	Item Number	Philips 12NC
Leader Cable	UL / cUL	50 ft (15.2 m)	108-000041-00	910503700320
	CE		108-000041-01	910503700320
Jumper Cable	UL / cUL	End-to-End	108-000039-00	910503700314
		1 ft (305 mm)	108-000039-01	910503700315
	CE	5 ft (1.5 m)	108-000039-02	910503700316
		End-to-End	108-000040-00	910503700317
		1 ft (305 mm)	108-000040-01	910503700318
		5 ft (1.5 m)	108-000040-02	910503700319
Glare Shield		1 ft (305 mm)	120-000081-00	910503700745
		2 ft (610 mm)	120-000081-01	910503700746
		3 ft (914 mm)	120-000081-02	910503700747
		4 ft (1.2 m)	120-000081-03	910503700748



Philips Color Kinetics  
3 Burlington Woods Drive  
Burlington, Massachusetts 01803 USA  
Tel 888.385.5742  
Tel 617.423.9999  
Fax 617.423.9998  
www.colorkinetics.com

Copyright © 2008 – 2009 Philips Solid-State Lighting Solutions, Inc. All rights reserved. Chromacore, Chromasic, CK, the CK logo, Color Kinetics, the Color Kinetics logo, ColorBlast, ColorBlaze, ColorBurst, ColorGraze, ColorPlay, ColorReach, DIMand, EssentialWhite, eV, iColor, iColor Cove, IntelliWhite, iW, iPlayer, Light Without Limits, Optibin, and Powercore are either registered trademarks or trademarks of Philips Solid-State Lighting Solutions, Inc. in the United States and/or other countries. All other brand or product names are trademarks or registered trademarks of their respective owners. Due to continuous improvements and innovations, specifications may change without notice.

DAS-000009-01 R04 07-09