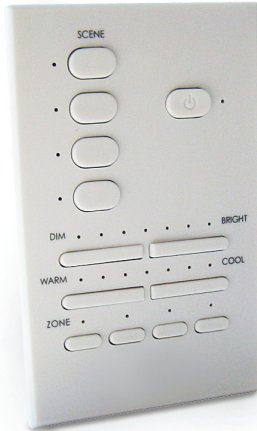


iW Scene Controller



IntelliWhite™ iW Scene Controller is a wall mounted controller for use with IntelliWhite lights and power / data supplies. The controller allows the change of color temperature of IntelliWhite fixtures, from warm to cool, and to set the brightness level with a touch of a button.

iW Scene Controller has an easy-to-use keypad for adjusting brightness, stepping through temperatures, and setting programmed pre-sets for up to 4 zones. It also features a master lights ON / OFF switch with fade to OFF and onboard LEDs to indicate the current settings.

The iW Scene Controller is the perfect, no programming, solution for any IntelliWhite light installation that requires multiple ambient settings. Just select a zone, set the color temperature and brightness level, and then save it to a one-touch recall button.

The keypad's compact design minimizes wall space, while still offering a full range of lighting control. iW Scene Controller comes with a connectorized, 50-foot power / data cable for easy wiring.

FEATURES

- 4 Zone buttons
- 4 Preset buttons
- LED indicators
- Dimmer control
- Color temperature control
- Light ON / OFF switch (with fade to OFF)
- 50-foot power / data cable

PRODUCT SPECIFICATIONS

HOUSING	White matte plastic faceplate and buttons
WEIGHT	4.0 oz (113 g) without leader cable
POWER / DATA CONNECTOR	4-Pin dedicated connector

ELECTRICAL SPECIFICATIONS

POWER REQUIREMENT	5VDC
POWER SUPPLY	None required (powered by iW PDS-150 or iW Data Enabler)

INSTALLATION

MOUNTING	Fits standard U.S. one-gang wall box (provided)
-----------------	---

ITEM # 503-000001-00

Copyright © 2008 Philips Solid-State Lighting Solutions, Inc. All rights reserved.

Chromacore, Chromasic, CK, the CK logo, Color Kinetics, the Color Kinetics logo, ColorBlast, ColorBlaze, ColorBurst, ColorGraze, ColorPlay, ColorReach, DIMand, EssentialWhite, eW, iColor, iColor Cove, IntelliWhite, iW, iPlayer, Light Without Limits, Optibin, and Powercore are either registered trademarks or trademarks of Philips Solid-State Lighting Solutions, Inc. in the United States and / or other countries. All other brand or product names are trademarks or registered trademarks of their respective owners.

BRO-000146-00 Rev 04

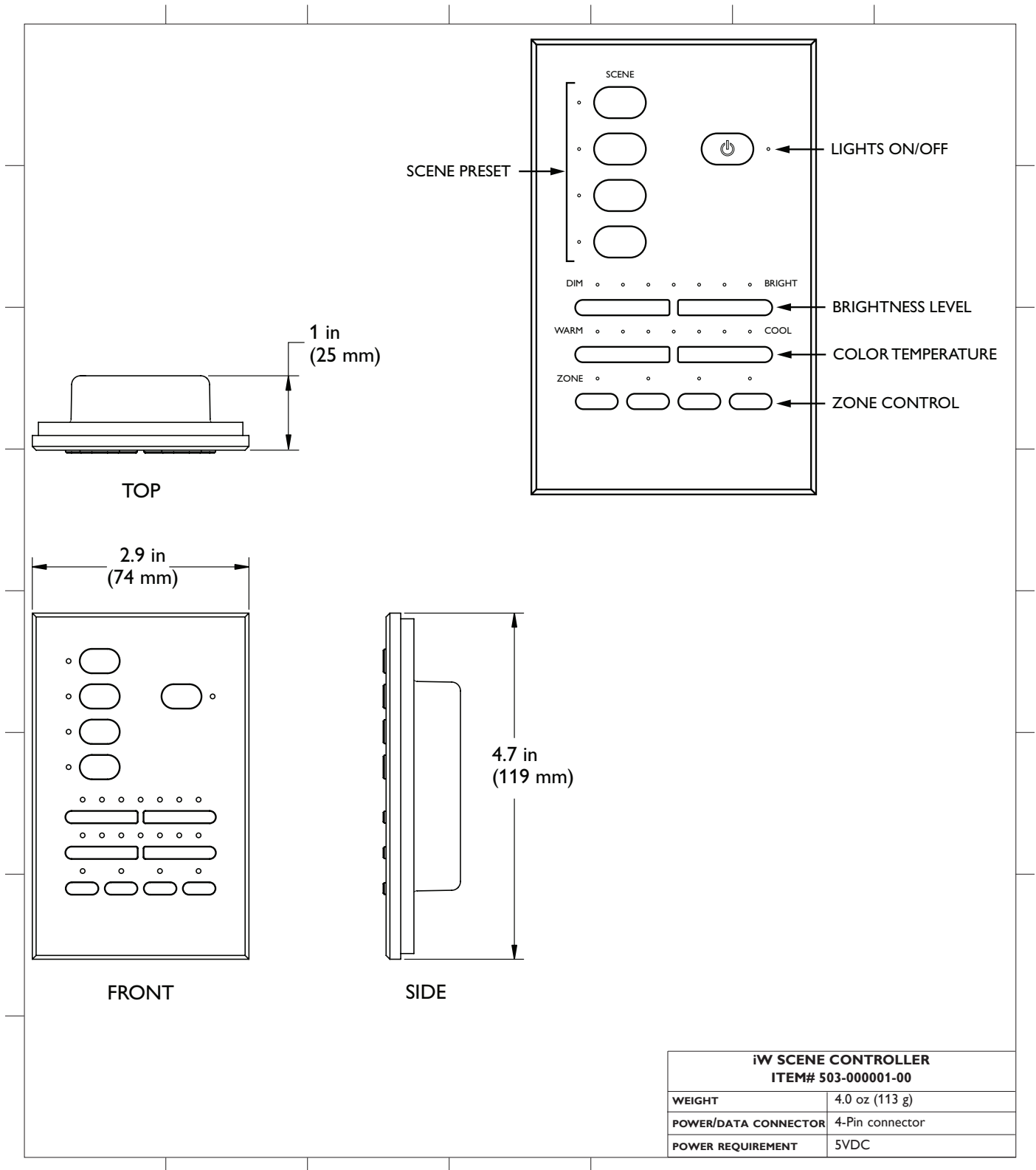
Specifications subject to change without notice.



PHILIPS

iW SCENE CONTROLLER

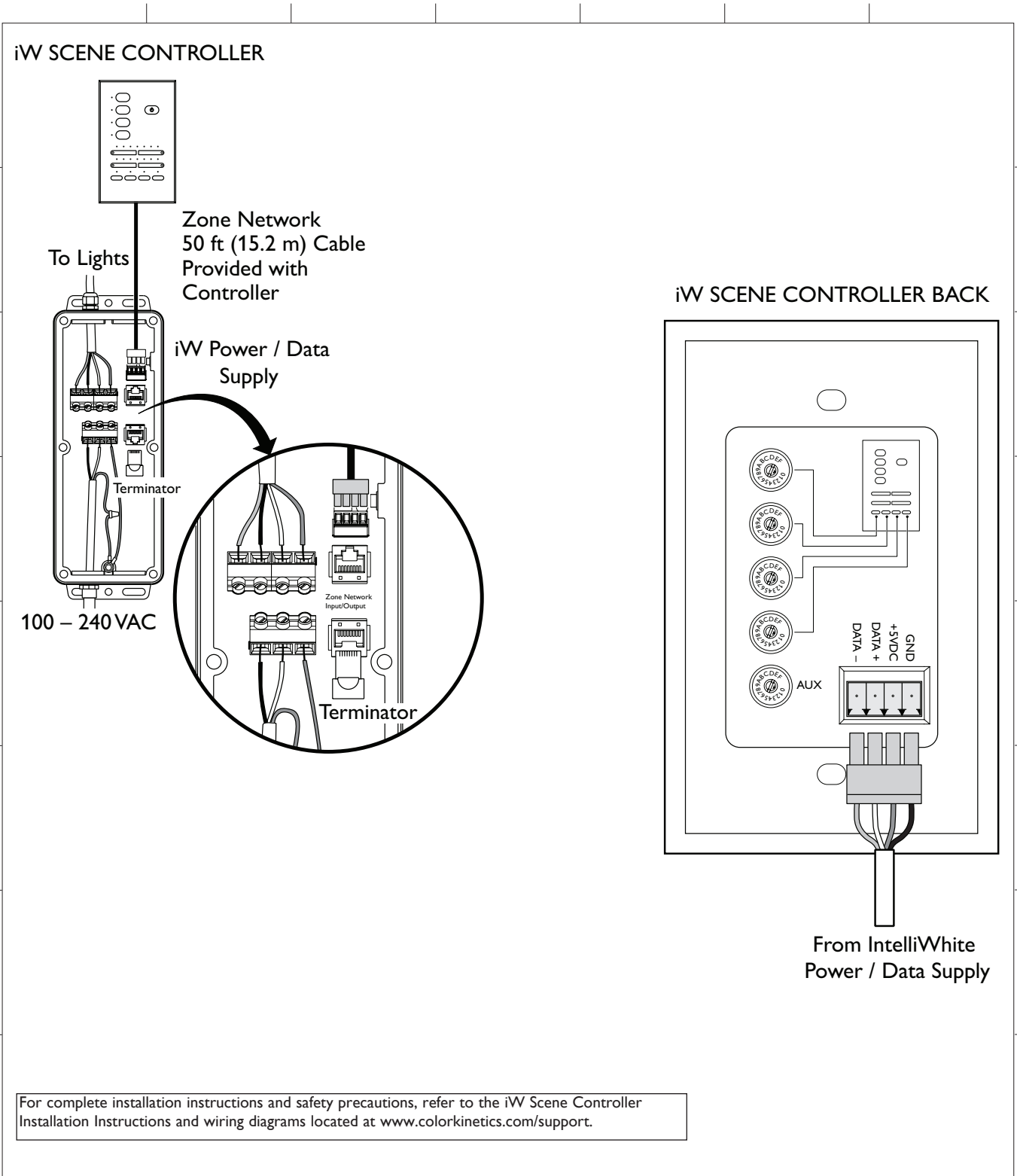
physical dimensions



iW SCENE CONTROLLER ITEM# 503-000001-00	
WEIGHT	4.0 oz (113 g)
POWER/DATA CONNECTOR	4-Pin connector
POWER REQUIREMENT	5VDC

iW SCENE CONTROLLER

functional flow diagram



For complete installation instructions and safety precautions, refer to the iW Scene Controller Installation Instructions and wiring diagrams located at www.colorkinetics.com/support.