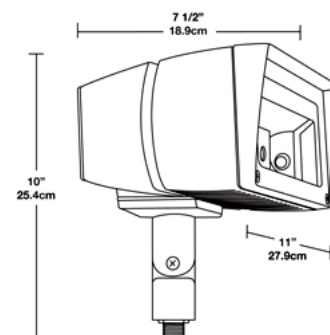


FFLED39NW

Rectangular shaped LED floodlight designed to replace 150W Metal Halide. Patent Pending airflow technology ensures long LED and driver lifespan. Use for building facade lighting, sign lighting, LED landscape lighting and instant-on security lighting.

Color: White

Weight: 12.5 lbs



LED Info

Watts: 39W
 Color Temp: 4000K (Neutral)
 Color Accuracy: 86
 L70 Lifespan: 100000
 LM79 Lumens: 2,380
 Efficacy: 51 LPW

Driver Info

Type: Constant Current
 120V: 0.4 A
 208V: 0.25 A
 240V: 0.22 A
 277V: 0.19 A
 Input Watts: 46W
 Efficiency: 84%

Technical Specifications

Lumen Maintenance:

100,000-hour LED lifespan based on IES LM-80 results and TM-21 calculations.

NEMA Type:

7H x 6V Beam Spread

LEDs:

Three multi-chip, 13Watt high performance LEDs

Driver:

Constant Current, Class 2, 100 - 277V, 50 - 60 Hz, 100 - 277VAC 0.7-0.55 Amps; 277VAC 0.55 Amps

Fixture Efficacy:

51 Lumens per Watt

Surge Protection:

6 KV

Ambient Temperature:

Suitable for use in 40C ambient temperatures.

Cold Weather Starting:

The minimum starting temperature is -40F/-40C.

Thermal Management Housing:

Superior heat sinking with external Air-Flow fins.

Mounting:

Heavy-duty mounting arm with O ring seal & stainless steel screw

Color Stability:

RAB LED products exceed industry standards for chromatic stability.

Color Accuracy:

86 CRI

Color Temperature (Nominal CCT):

4000K

Color Uniformity:

RAB's range of CCT (Correlated Color Temperature) follows the guidelines of the American National Standard for (SSL) Products, ANSI C78.377-2008.

Reflector:

Semi-specular anodized aluminum

Gaskets:

High-temperature silicone gaskets

Finish:

Chip and fade resistant polyester powder coat finish.

Green Technology:

Mercury and UV free

IESNA LM-79 & LM-80 Testing:

RAB LED luminaires have been tested by an independent laboratory in accordance with IESNA LM-79 and LM-80, and have received the Department of Energy Lighting Facts label.

California Title 24:

FFLED39 complies with California Title 24 building and electrical codes.

Warranty:

RAB LED fixtures give you peace of mind because both the fixture and driver components are backed by RAB's 5 Year Warranty. For more information,

Patents:

The FFLED39 design is protected by Taiwan Patent 01510948 and patents pending in the U.S., Canada, China, and Mexico.



FFLED39NW - continued

UL Listing:

Suitable For Wet Locations. Suitable for mounting within 1.2M(4FT) of the ground.

Threaded Size:

1/2" threaded arm.