



Low-maintenance, high-efficiency
LED retrofit fixture
installs on standard junction boxes.

SKEET™ 9W

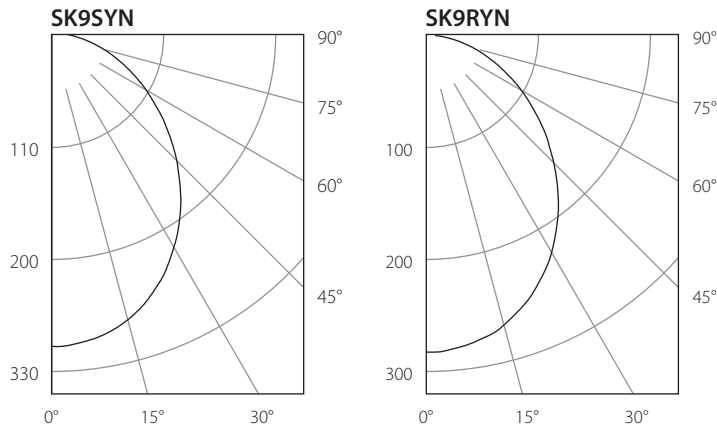


RAB®
LIGHTING
RABWEB.COM • 888 722-1000

9W SKEET

- Contemporary low-profile design
- Mounts flush to ceiling or wall
- Available in square or round
- Delivers nearly 800 lumens; replaces 60W incandescent
- 100,000-Hour LED lifespan
- Vandal-resistant diffusion lens provides smooth light with no glare

Photometrics



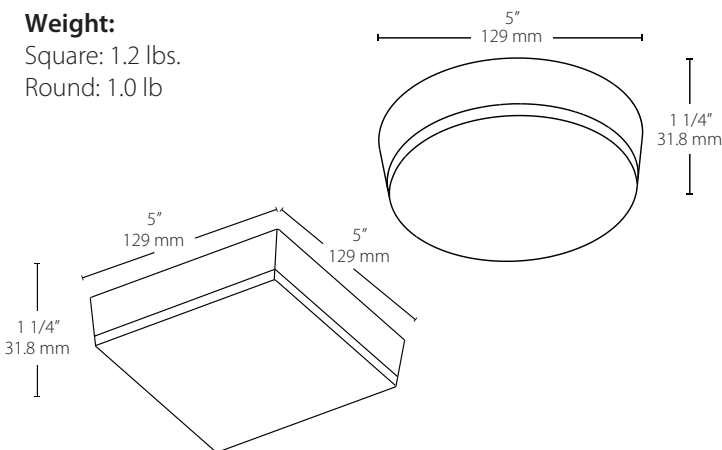
For smooth, even light distribution use the following spacing criteria:
1.2 x mounting height

Photometric reports #ITL83100 and #ITL83097

Dimensions & Weight

Weight:

Square: 1.2 lbs.
 Round: 1.0 lb



Ordering Information

Product Family	Wattage	Shape	Color Temperature
SK	9		
		R Round	YN 3500K
		S Square	Y 3000K
			YY 2700K

Specifications

UL Listing: Suitable for damp locations. Recommended for indoor use only.

LEDs: 120V long-life LEDs with integrated driver technology and TRIAC and ELV dimming down to 5%. Power Factor 99.5%, 3 kV surge protection.

Lifespan: 100,000-hour LED lifespan based on IES LM-80 results and TM-21 calculations

9W Round

Correlated Color Temp. (CCT)	3500K	3000K	2700K
Input Watts @ 120V	9	9	9
Output Lumens	744	737	701
Lumens per Watt	82	81	77
Color Accuracy (CRI)	87	84	84

9W Square

Correlated Color Temp. (CCT)	3500K	3000K	2700K
Input Watts @ 120V	9	9	9
Output Lumens	798	744	719
Lumens per Watt	86	80	77
Color Accuracy (CRI)	86	85	85

Housing: Precision die-cast aluminum construction

Mounting: Simple slide-n-lock mounting bracket mounts to 3 1/2" and 4" round or octagon boxes with mounting screws 2 3/4" and 3 1/2" on center

Lens: Polycarbonate diffusion lens

Finish: Our environmentally friendly polyester powder coatings are formulated for high-durability and long-lasting color, and contain no VOC or toxic heavy metals.

Color Consistency: 3-Step MacAdam Ellipse binning to achieve consistent fixture-to-fixture color

Color Stability: LED color temperature warranted not to shift more than 200K in CCT in 5 years

Color Uniformity: RAB's range of CCT (Correlated Color Temperature) follows the guidelines of the American National Standard for Specifications for the Chromaticity of Solid State Lighting (SSL) Products, ANSI C78.377-2011.

Green Technology: Mercury and UV free, and RoHS compliant. Polyester powder coat finish formulated without the use of VOC or toxic heavy metals.

IESNA LM-79 & LM-80 Testing: RAB LED luminaires have been tested by an independent laboratory in accordance with IESNA LM-79 and LM-80, and have received the Department of Energy "Lighting Facts" label.

California Title 24: SKEET complies with 2013 California Title 24 building and electrical codes as a commercial indoor fixture for general spaces when used with a vacancy sensor and compatible TRIAC or ELV dimming control. Select a vacancy sensor using catalog number LVS800. Dimming control provided by others.