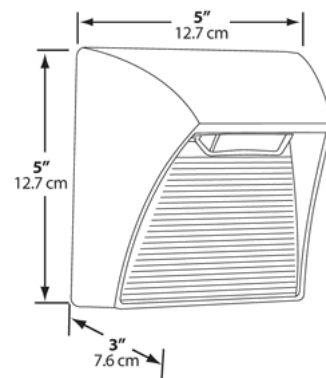


# SLED5DCW

Square LED Step Lights for solar applications or other 10-30VDC systems. Up to 85% more efficient than line voltage AC solutions. Available in 5W round square step lights.

Color: White

Weight: 1.5 lbs



## LED Info

Watts: 5W  
 Color Temp: 5000K (Cool)  
 Color Accuracy: 68  
 L70 Lifespan: 100000  
 LM79 Lumens: 196  
 Efficacy: 37 LPW

## Driver Info

Type: DC to DC  
 120V: N/A  
 208V: N/A  
 240V: N/A  
 277V: N/A  
 Input Watts: 5W  
 Efficiency: 94%

## Technical Specifications

### UL Listing:

Suitable for wet locations. Suitable for mounting within 4ft. of the ground.

### Electrical Input Specifications:

Max Watts = 5.1W, Input Volts = 10-30V DC, Input Amps = 0.51 - 0.17A.

### Lumen Maintenance:

The LED will deliver 70% of its initial lumens at 100,000 hours of operation.

### Finish:

Chip and fade resistant polyester powder coat finish.

### Thermal Management:

Integral cast aluminum mounting pad for optimum heat sinking to ensure cool operation with maximum LED life and light output.

### Cold Weather Starting:

The minimum starting temperature is -40°F/-40°C

### Green Technology:

Mercury, Arsenic and UV free.

### Housing:

Precision die cast aluminum housing and mounting plate (junction box not included)

### Surge Protection:

1000 Volts

### IESNA LM-79 & IESNA LM-80 Testing:

RAB LED luminaires have been tested by an independent laboratory in accordance with IESNA LM-79 and 80, and have received the Department of Energy "Lighting Facts" label.

### Gasket:

High temperature silicone

### Color Temperature (Nominal CCT):

5000K

### Color Accuracy:

68 CRI

### Equivalency:

The SLED5 is Equivalent in delivered lumens to a 13W CFL or 60W incandescent step light.

### HID Replacement Range:

The SLED5 can be used to replace 13-26W CFL or 13-60W incandescent step lights based on delivered lumens.

### Patents:

The design of the SLED Lights are protected by U.S. Patents 612,974, 612,975 and patents pending in Canada and China.

### For use on LEED Buildings :

IDA Dark Sky Approval means that this fixture can be used to achieve LEED Credits for Light Pollution Reduction

### Dark Sky Approved :

The International Dark Sky Association has approved this product as a full cutoff, fully shielded luminaire.

### Country of Origin:

Designed by RAB in New Jersey and assembled in the USA by RAB's IBEW Local 3 workers.

### Buy American Act Compliant:

This product is a COTS item manufactured in the United States, and is compliant with the Buy American Act.



SLED5DCW - continued

**Recovery Act (ARRA) Compliant:**

This product complies with the 52.225-21 "Required Use of American Iron, Steel, and Manufactured Goods-- Buy American Act-- Construction Materials (October 2010)

**Trade Agreements Act Compliant:**

This product is a COTS item manufactured in the United States, and is compliant with the Trade Agreements Act.

**GSA Schedule:**

Suitable in accordance with FAR Subpart 25.4

