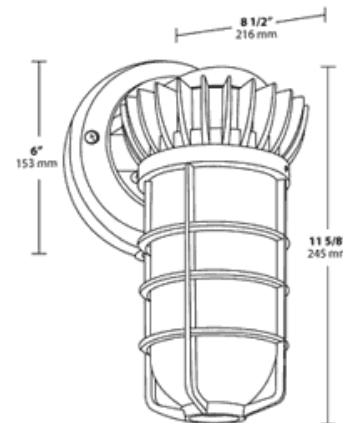


VXBRLED13YDG

High performance, wall mount LED Vaporproof fixture. A classic design with cutting edge LED technology. Comes with die cast guard and frosted globe.



LED Info

Watts: 13
 Color Temp: 3200K
 Color Accuracy: 86
 L70 Lifespan: 50,000
 LM79 Lumens: 507
 Efficacy: 34 LPW

Driver Info

Type: Constant Current
 120V: 0.13 A
 208V: 0.08 A
 240V: 0.07 A
 Input Watts: 15W
 Efficiency: 87%

Technical Specifications

Fixture Efficacy:

33 Lumens per Watt

Globes and Guards:

Vaporproof LEDs are compatible with .

Color Accuracy:

86 CRI

Color Temperature (Nominal CCT):

3200 K

LED Light Engine:

Multi-chip single 13W high output long life LED Driver. Constant Current, 100V-277V, 50/60 Hz., 100-240VAC .3-.15 Amps 277VAC .15 Amps. Will deliver 70% of its initial lumens at 50,000 hours based on LM-80 Tests.

Construction:

Die cast aluminum housing and door. Tether connects back housing halves for safety.

Heatsink (Patent Pending):

Die cast aluminum LED housing designed for maximum heat dissipation.

Surge Protection:

4kv

Housing:

Die cast aluminum housing and driver housing

Mounting:

Three 1/2__ NPS conduit entry points

Guard and Globe:

Shot blasted guard with frosted globe

Reflector:

High quality hydroformed semi-specular aluminum.

Color: Natural

Weight: 5.0 lbs

Gaskets:

High Temperature Silicone

Finish:

Natural shot blasted aluminum.

Equivalency:

The VXBRLED13 is Equivalent in delivered lumens to a 60W Incandescent or 23W CFL.

HID Replacement Range:

The VXBRLED13 can be used to replace 13-23W CFL or 25-60W Incandescent Vaporproofs based on delivered lumens.

Green Technology:

Mercury and UV free.

IESNA LM-79 & IESNA LM-80 Testing:

RAB LED luminaires have been tested by an independent laboratory in accordance with IESNA LM-79 and 80, and have received the Department of Energy "Lighting Facts" label.

Color Stability:

RAB LEDs exceed industry standards for chromatic stability.

Color Uniformity:

RAB__s range of CCT (Correlated color temperature) follows the guidelines of the American National Standard for Specifications for the Chromaticity of Solid State Lighting (SSL) Products, ANSI C78.377-2008.

Warranty:

RAB LED fixtures give you peace of mind because both the fixture and light engine components are backed by RAB's 5 Year Warranty. For more information,

RAB
LIGHTING

Tech Help Line: 888 RAB-1000

Email: sales@rabweb.com

On the web at: www.rabweb.com

Copyright ©2012 RAB Lighting, Inc. All Rights Reserved

Note: Specifications are subject to change without notice

Page 1 of 2

VXBRLED13YDG - continued

Patents:

The VXLED design is protected by patents pending in the U.S., Canada, China, Taiwan and Mexico.

Country of Origin:

Designed by RAB in New Jersey and assembled in Taiwan

Trade Agreements Act Compliant:

This product is a product of Taiwan and a "designated country" end product that complies with the Trade Agreements Act.

GSA Schedule:

This product is suitable for listing on the GSA Schedule of the US General Services in accordance with FAR Subpart 25.4

UL Listing:

UL Listed Suitable for Wet locations as a Downlight

