

HID FLOODS FUTURE FLOOD™



Preferred by contractors for reliability, quality features and ease of installation.

Easy Clip for tool-less relamping with vandalproof screw capability

Integra Hood Glare Shield for Friendly Lighting when properly aimed

Silicone gasket stays in place for durable weatherproofing & easy relamping

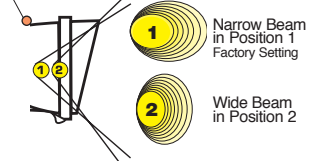
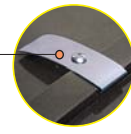
Precision die cast aluminum housing with durable polyester powder coat finish

Variable beam spread with 2 position adjustable socket

Long life lamp included

Mounting arm with sturdy locking teeth & internal gasket

EZ Grip Locknut matches fixture finish and can be adjusted with fingers, pliers or screwdriver



Product Information

High Pressure Sodium
Lamp supplied with fixture

Watts	Lamp Type	Lamp Base	Ballast
35	ED17	Med	R-NPF 120V
50	ED17	Med	R-NPF 120V
70	ED17	Med	R-NPF 120V
100	ED17	Med	R-NPF 120V
150	ED17	Med	R-NPF 120V

Metal Halide
Lamp supplied with fixture
PS* = Pulse Start

Watts	Lamp Type	Lamp Base	Ballast
50	ED17	Med	BMHN50
70	ED17	Med	BMHN70
100	ED17	Med	BMHN100/277V

Fluorescent
Lamp supplied with fixture

Watts	Lamp Type	Lamp Base	Ballast
42	Triple	GX24q-4	Electronic QT

Factory Installed Options
Add suffix to catalog number

Button Photocontrol
Swivel Photocontrol



Accessories for Field Installation:

Replacement Lens:
Mighty Post for ground installation:
Chrome Plated Wire Guard:

Starting Amps / Operating Amps
120V 208V 240V 277V

1.4 / 0.9			
1.8 / 1.2			
2.1 / 1.6			
3.1 / 2.1			
4.5 / 3.2			

Input Watts Lamp ANSI Initial Lumens Lamp Hours

46	S76	2,250	24,000
62	S68	4,000	24,000
86	S62	6,400	24,000
115	S54	9,500	24,000
170	S55	16,000	24,000

72	M110	3,400	10,000
94	M98	5,600	15,000
129	M90	9,000	15,000

46		3,200	12,000
----	--	-------	--------

Specifications

UL Listing:
Suitable for wet locations. Suitable for mounting within 4' of the ground.

Housing:
Precision die cast aluminum, 1/2" NPS threaded arm with locking swivel fits all standard mounting boxes.

Reflector:
Anodized semi-specular aluminum

Lens:
Thermal tempered shock resistant glass

Lens Gasket:
High temperature tubular silicone set in die cast retaining groove remains in place during relamping.

Socket:
Glazed porcelain 4kv pulse rated with nickel plated screw shell and spring contacts.

RAB® TEL 888 RAB 1000
FAX 888 RAB 1232
www.rabweb.com

Finish:
Chip and fade resistant metallic architectural bronze or bright white polyester powder coating.

Spec Sheets, Installation Manuals, Wiring Diagrams & Photometrics 24/7
www.rabweb.com > click "PRODUCTS"

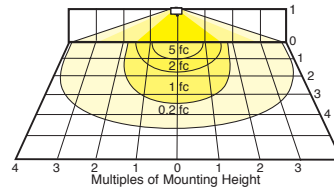
Patents:
The design of the Future Flood is protected by U.S. Patent #D420458 and similar patents pending in China, Taiwan and Canada.

Effective Projected Area:
Maximum EPA = .43

Fixture	lbs	Fixture	lbs
HPS35	6	MH50	8
HPS50	7	MH70	9
HPS70	7	MH100	8
HPS100	8		
HPS150	9		

Photometrics

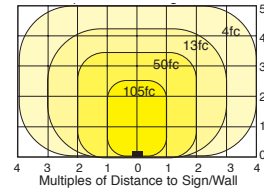
150w HPS @ 10' Mounting Height
Aimed 30° below horizontal



Mounting Height	Multiplier
8'	1.6
10'	1.0
12'	.7
16'	.4
20'	.25

Watts	Multiplier	HPS	MH	CFL
150	1			
100	.6	.6		
70	.4	.4		
50	.3	.2		
35	.15			
42			.2	

Sign & Wall Lighting 150w HPS @ 6' from wall - 30° above horizontal



Mounting Height	Multiplier
6'	1
9'	.5
12'	.3

Watts	Multiplier	HPS	MH	CFL
150	1			
100	.6	.6		
70	.4	.4		
50	.3	.2		
35	.15			
42			.2	

FF HPS & MH

Compact, tough and good looking cast aluminum housing with hinged framed glass lens. Integra Hood glare shield and stainless steel clip. 35 to 150 watt HPS Metal Halide Pulse Start. 50 & 70 watt with 120v reactor ballast or 100w with 277v NPF ballast. Lamp included.

Finish: ● Architectural Bronze
○ White



Catalog Numbers

Bronze	White
FF35	FF35W
FF50	FF50W
FF70	FF70W
FF100	FF100W
FF150	FF150W
FFH50	FFH50W
FFH70	FFH70W
*FFH100/277	*FFH100W/277
*100 watt Metal Halide is 277 volt only	
/PC	/PC
/PCS	/PCS

FF CFL

White light in a compact package. Compact Fluorescent 42 watt with quad tap electronic ballast. Lamp included.

Finish: ● Architectural Bronze
○ White



Bronze	White
FF42QT	FF42QW
/PC	/PC
/PCS	/PCS

FF Guard

Heavy duty chrome plated steel wire guard prevents damage and vandalism. Easily field installable. Also fits QF500F Quartz flood.

Finish: ● Chrome plated steel



Order fixture + order GDFG guard

Order fixture + order GDFG guard

GDFG

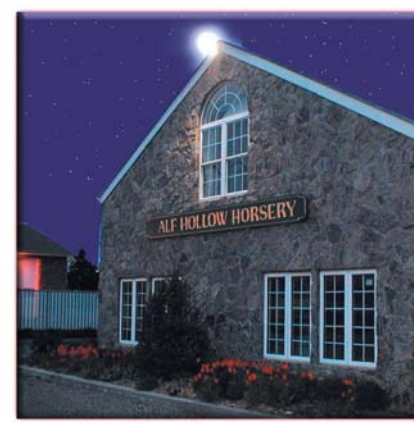
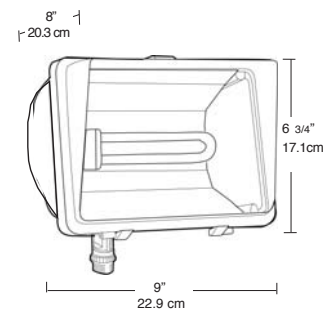
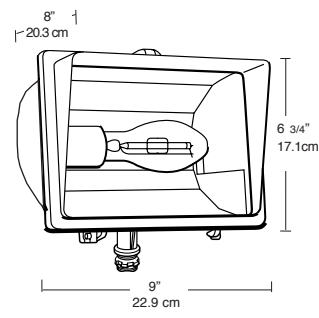
PULSE START Metal Halide
UTILITY REBATES POSSIBLE

- SAVE ENERGY \$\$
- LONGER LAMP LIFE
- FASTER START TIME
- BETTER LUMEN MAINTENANCE
- LAMPS REMAIN SAME COLOR
- COLD STARTING TO -40°



Replacement Lamps	Ballasts
LHPS35	BHPSN35
LHPS50	BHPSN50
LHPS70	BHPSN70
LHPS100	BHPSN100
LHPS150	BHPSN150
LMH50	BMHN50
LMH70	BMHN70
LMH100	BMHN100/277*
*100 watt Metal Halide is 277 volt only	
LCFL42	BCFL42

Dimensions



The popular choice for reliable security.