

OUTDOOR SENSORS

Mini Sensor & Smart Box



Smart Box controls 500 watts of front door lighting. (Hint: Look on the wall to the left of the door.)

Sensors so small you can hide them.
Perfect for entrances where looks count.



500 watt Switching Capacity or 180 watts with

180° Detection Pattern

Smart Box includes oversize wall plate. Fits single gang boxes

Can be wired in parallel

Surge Protected

Protected Manual Override with Auto Reset after 8 hours

Miniature size

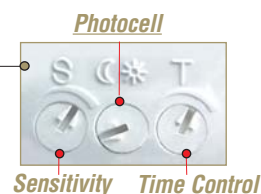
Quick installation with 5 second test time and Auto Test Logic

Easy adjustment controls on sensor bottom

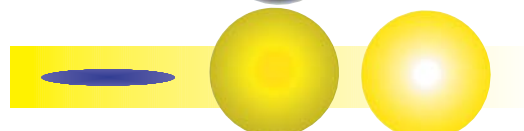
Color Matched Vandal Resistant Lens

LED "On Guard" Indicator

5 Year Warranty



Here's How



Off-
During Daylight

Glow-
Good NightLight
glows at 20% lamp
wattage from
Dusk-to-Dawn

Bright-
100% Bright security
light when motion
occurs

Specifications

UL Listing:
Suitable for wet locations

Switching Capacity:
Relay On/Off Model:
500 watts Incandescent or
250 watts Fluorescent @ 120 volts

Good NightLight Hi/Lo Model:
Runs at 20% lamp wattage
from dusk to dawn.
Brightens to full wattage
upon detection. 180 watt
Incandescent maximum.

Voltage:
120 volts AC, 60Hz

Detection Zone:
Full 180 degrees by 30°

Quick Test Time:
5 second test time for fast
installation. Works day or night.

"No Hands" Auto Testing:
Auto mode starts after 4 minutes of
testing. No adjustment needed.

Time Adjustment:
5 seconds to 15 minutes

Vandal Resistant Lens:
Hard lens resists vandalism

Surge Protection:
Withstands up to 3000 volts

Case Construction:
Precision molded Lexan

Photoelectric Control:
Deactivates lights during daylight.
Fully adjustable for 24 hour
operation or custom applications.

Manual Override:
Double flip wall switch logic prevents acti-
vation by short power outages. Resets
after 8 hours. No extra wiring needed.

Built for Severe Conditions:
Double weatherproofing for long life.

LED Detection Indicator:
Glows red day and night for "on-guard"
deterrence.

RF Immunity:
Circuits fully shielded for maximum radio
frequency immunity.

Patents:
RAB sensor and fixture designs are
protected under U.S. and international
intellectual property laws.

Product Information

Sensor
Relay On/Off Model:
500 watts Incandescent or
250 watts Fluorescent

Good NightLight Hi/Lo Model:
180 watts max Incandescent

Info Online 24/7

Spec Sheets & Installation Manuals
www.rabweb.com > click "PRODUCTS"

Good Night Light Mini Sensor

Tiny 180° Hi/Lo sensor! Fits 1/2" threaded holes. Universal swivel. Lamps run at 20% wattage dusk to dawn. Brightens to full wattage upon detection. 180 watt Incandescent maximum. See page 40 for Floodlight/Sensor Kits.

Finish: ● Architectural Bronze
○ White



Mini Sensor

Controls 500 watts Incandescent or 250 watts Fluorescent outdoor lighting. Full 180° coverage with universal swivel. Color matched vandal resistant lens. LED "On Guard" indicator.

Finish: ● Architectural Bronze
○ White



Good Night Light Smart Box

Lamps run at 20% wattage dusk to dawn. Brightens to full power when sensor activates. Full 180° coverage with tilt-down adjustment. Integral over-size wallplate included. 180 watt Incandescent maximum. Fits single gang boxes (RAB B3 series)

Finish: ○ White - Paintable to match wall finish.



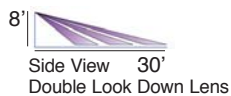
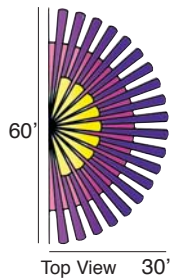
Smart Box

Unobtrusive box mounted sensor controls 500 watts Incandescent or 250 watts Fluorescent outdoor lighting. Full 180° coverage with Tilt-down adjustment. Integral over-size wallplate included. Fits single gang boxes (RAB B3 series)

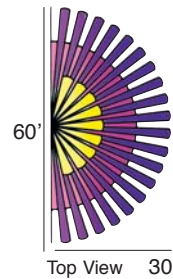
Finish: ○ White - Paintable to match wall finish.



Detection Patterns



Good Night Light Kits pre-assembled & pre-wired with QB Floods
See Page 40



Catalog Numbers

Bronze **White**

Bronze **White**
SMS500 SMS500W

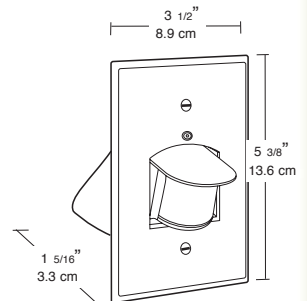
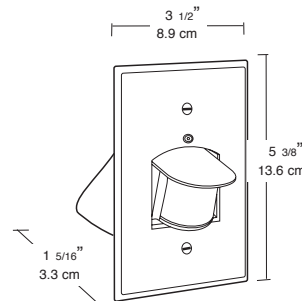
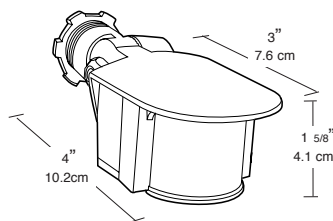
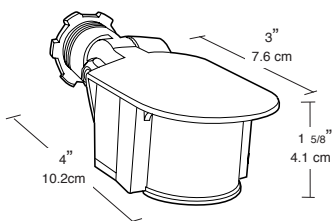
White

White
SB500W

SMS180HL SMS180HLW

SB180HLW

Dimensions



OUTDOOR SENSORS