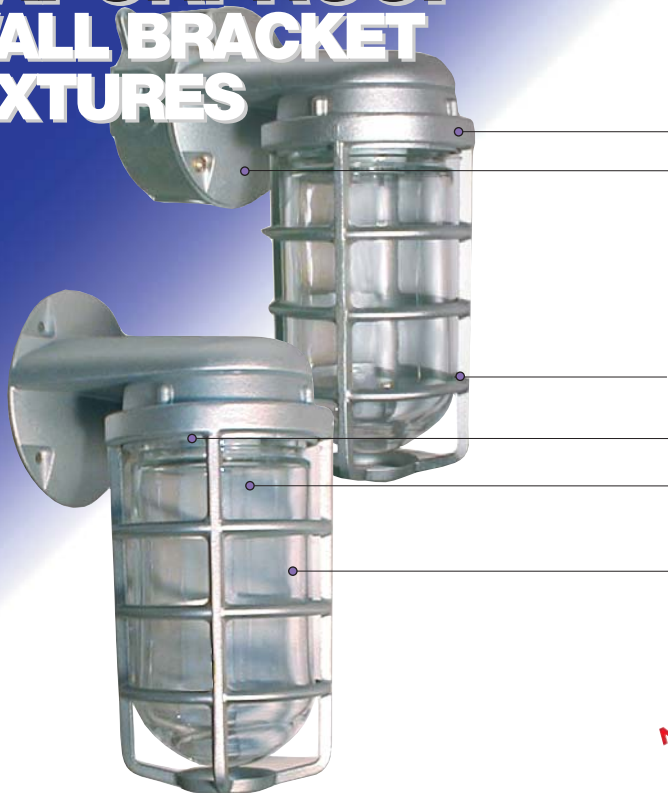


VAPORPROOF WALL BRACKET FIXTURES



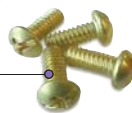
Durable, versatile and economical vaporproof incandescent or fluorescent lighting for non-hazardous locations.

Die cast aluminum for superior durability

Set screw keeps guard securely in place

Junction box with sturdy mounting lugs

All brass hardware



Close-up plugs allow Phillips or slotted screwdrivers for easy installation



One piece die cast aluminum guards threaded for secure fit

High temperature silicone internal gaskets

Premium porcelain socket with 150°C 8" long leads attached

Clear heat resistant glass globes standard Polycarbonate Permoglobes available



Packed partially unassembled for easy installation

New!

UL Listed for use with 90°C supply wiring OK for use in dwellings and wet locations



Durable Vaporproof fixtures light up entrances in industrial locations.



A VX100DG in a scene from the movie "Mystic Pizza" starring Julia Roberts. In Hollywood, they install fixtures upside down. You should always install fixture lamp base up.



Best Supporting Prop in a movie! Here's a RAB Vaporproof in a scene from Ron Howard's "The Paper" starring Michael Keaton and Glenn Close. (When using outdoors, always install lamp base up.)

Specifications

UL Listing:
Suitable for wet locations.
Suitable for use in dwellings.
Suitable for use with 90°C supply wiring.
Complies with UL Standard 1598. For non-hazardous locations where the lamp, socket and wiring require protection from rain, corrosive fumes, non-combustible dusts, moisture, non-explosive vapors and gases.

Wattage:
See catalog number chart for maximum wattage with clear glass, colored glass and Permoglobes.

Hub Size:
1/2" or 3/4" NPS. Metric size hub taps available. Consult factory.

Construction:
Die cast aluminum with brass screws.

Globes:
Clear heat resistant glass standard. Colored and white glass globes available. Unbreakable RAB Permoglobes available in clear and in color. See page 138.

Reflectors:
Highly reflective white baked polyester epoxy powder finish over a heavy gauge aluminum base. Reflectors thread onto fixtures. See page 138.

Finish:
Natural unpainted finish standard. Painted finishes of Silver Gray (add suffix S), White (add W) and Black (add B). Other finish colors available. Consult factory.

Guard:
One piece die cast aluminum with set screw.

Wire Guard:
8 GA. steel wire with silver powder coat.

Socket:
Premium porcelain with 150°C 8" leads attached. Fastened with 2 brass screws.

CFL Lamp Base:
13Watt: GX23 • 22Watt: GX32d

CFL Ballast:
NPF 120V

Patents:
The designs of RAB fixtures are protected under U.S. and international intellectual property laws.

Spec Sheets, Installation Manuals, Wiring Diagrams & Photometrics 24/7
www.rabweb.com > click "PRODUCTS"

Special Globes

Colored (White, Red, Blue, Green or Amber) Prismatic or Ball shaped globes are available in glass or polycarbonate. Heat resistant glass globes are also available. Order a vaporproof fixture less globe and combine it with a Globe from Page 136.



VBR Bracket

Die cast aluminum construction with sturdy wall mounting bracket. Medium base socket and a variety of globes. Incandescent up to 200 watts. CFL 13 or 22 watts. Fits 4" box. CFL lamp supplied. Incandescent lamp not supplied.

- Finish:
 Natural
 Silver Gray
 White
 Black



VBR100DG shown in Natural

VXBR Bracket & Box

Die cast aluminum construction. Wall bracket plus junction box with sturdy mounting lugs. Medium base socket, 1/2" or 3/4" NPS hub size and a variety of globes. Incandescent up to 300 watts. CFL 13 or 22 watts. CFL lamp supplied. Incandescent lamp not supplied.

- Finish:
 Natural
 Silver Gray
 White
 Black



VXBR100DG shown in Natural

Adjustable Pendant

Universal swivel permits mounting at any angle and locks in place. Die cast aluminum construction. Medium base socket and a variety of globes. Incandescent up to 300 watts. CFL 13 or 22 watts. CFL lamp supplied. Incandescent lamp not supplied.

- Finish: Natural



VA100DG shown in Natural

Product Information

Natural Fixture with:

- clear glass & die cast guard 
- clear glass & wire clamp guard 
- clear glass globe (no guard) 
- clear Permaglobe (no guard) 
- white Permaglobe (no guard) 
- Fixture less globe 
- 13 watt Fluorescent, 120 Volt  **CFL**
- 22 watt Fluorescent, 120 Volt Lamp included
- 3/4" tapped hubs

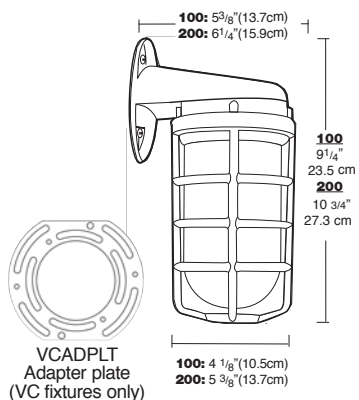
- Finish:
 Silver Gray
 White
 Black

Catalog Numbers

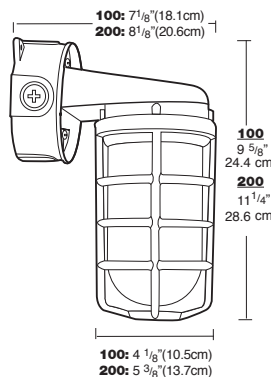
100 Series	200 Series	100 Series	200 Series	100 Series	200 Series
Max Watts	Max Watts	Max Watts	Max Watts	Max Watts	Max Watts
150w Clear Glass	200w Clear Glass	150w Clear Glass	300w Clear Glass	150w Clear Glass	300w Clear Glass
100w Colored Glass	150w Colored Glass	100w Colored Glass	200w Colored Glass	100w Colored Glass	200w Colored Glass
75w Permaglobe	100w Permaglobe	75w Permaglobe	100w Permaglobe	75w Permaglobe	100w Permaglobe
VBR100DG	VBR200DG	VXBR100DG	VXBR200DG	VA100DG	VA200DG
VBR100G	VBR200G	VXBR100G	VXBR200G	VA100G	VA200G
VBR100	VBR200	VXBR100	VXBR200	VA100	VA200
VBR100P	VBR200P	VXBR100P	VXBR200P	VA100P	VA200P
VBR100PW	VBR200PW	VXBR100PW	VXBR200PW	VA100PW	VA200PW
VBR1	VBR2	VXBR1	VXBR2	VA1	VA2
add /F13		add /F13	add /F22	add /F13	add /F22
	add /F22				
add S	add S	add S	add S	add S	add S
add W	add W	add W	add W	add W	add W
add B	add B	add B	add B	add B	add B
Natural, no suffix		Natural & 1/2" hubs, no suffix			

Dimensions

VBR100DG & VBR200DG



VXBR100DG & VXBR200DG



VA100DG & VA200DG

