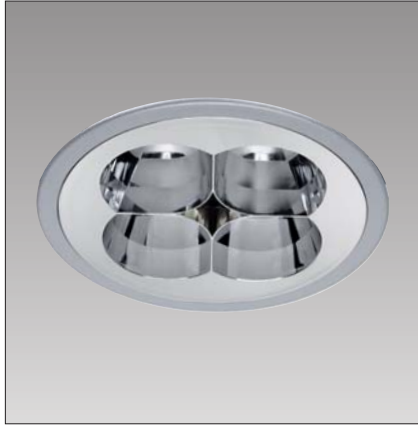


Unisio

Fixed recessed luminaire



REGGIANI LIGHTING USA, INC.
 372 Starke Road - Carlstadt, NJ 07072 USA - tel. (+1) 201 372 1717 - fax (+1) 201 372 1616
 reggianilighting@reggiani.net - www.reggiani.net



8" Recessed Fixed LED Unisio 30030 Series

4x16W LED light source



Luminaire Includes: LED element, trim, and housing with electronic driver and 4 cell reflector.

Installation: For New construction, non insulated ceilings (requires 3" clearance from any insulation).

Mounting: Housings include hanger bars expandable to 24" with nailing spike.

Materials: Trim and heat sink, die cast aluminum with powder coat finish, housing 20 ga. steel.

Glare Control: LED's regressed deep into the polycarbonate reflector.

Driver: Integral electronic.

Light source: Four LED LUCE series 4x16W 850lm 3000K CRI 90

Finishes: 10 = White, 28 = Metallic Grey.

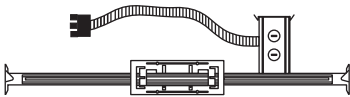
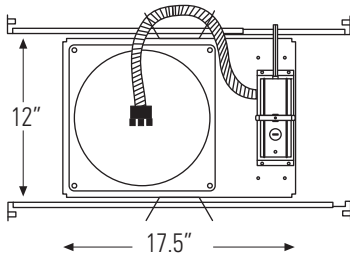
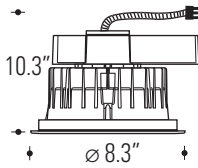
Reflector options: 4 cell reflector made of polycarbonate with scratch resistant UV- polymerized protective coating.

Listing: ETL listed, Union assembled.

Ø 7 3/4" dia ceiling cutout



Height Required 10.3"



Driver data

AC input	Line current	Power factor
120V 50/60Hz	1.3A	89%

Output

Constant current	Max Power	Max Volt
43.6 ~ 51.8V	62.5W	48V

Luminaire	Voltage	Wattage	Finish
30030	.AV 120V	4x16	10 white 28 metallic grey
<input type="text" value="30030"/>	<input type="text"/>	<input type="text"/>	<input type="text"/>
Luminaire	Volts	Watts	Finish

Project Name: _____

Contact: _____ Date: _____



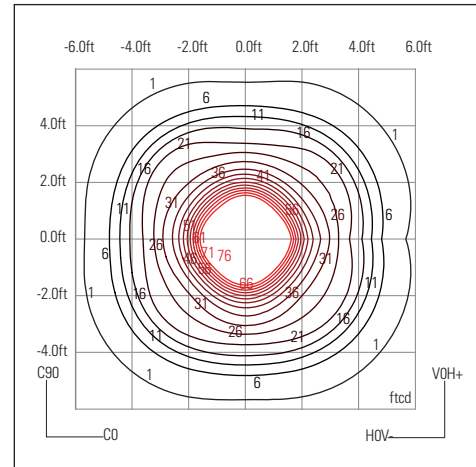
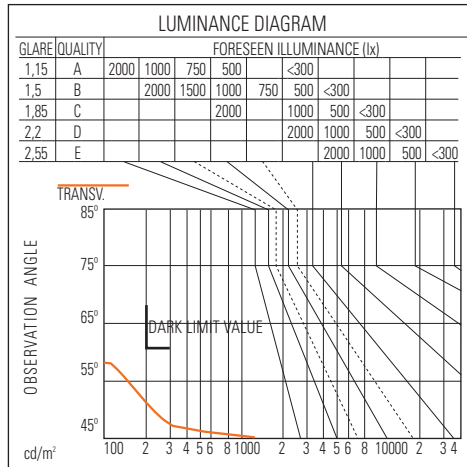
8" Recessed Fixed LED Unisio
30030 Series
 4x16W LED light source



DARK LIGHT REFLECTOR

Four-compartment reflector made from metallized polycarbonate with scratch resistant UV-polymerized protective coating, 36

4x16W 40° (η) 0.83		
FC	∅	
4 ft	281	2.88
6 ft	125	4.32
8 ft	70	5.76
10 ft	45	7.20
12 ft	31	8.64
14 ft	23	10.08



Project Name: _____

Contact: _____ **Date:** _____