



LED TOUGH DRUM®



LED OUTDOOR DRUM®

The Most Cost Effective and Efficient **Outdoor Canopy and Vandal Proof LED Luminaires**

RemPhos LED OUTDOORDRUM® Luminaire
RemPhos LED TOUGHDRUM® Luminaire

The RemPhos LED OUTDOOR DRUM and TOUGH DRUM uses energy efficient LEDs to provide a super bright light, while using less energy for residential or commercial outdoor lighting. The LED OUTDOOR DRUM luminaire features an injection molded, rugged polycarbonate construction. The TOUGH DRUM features an injection molded rugged polycarbonate lens and die cast aluminum housing. Both are powered by the efficient and replaceable LEDCR light engine module inside. Our design includes a gasketed and sealed internal compartment protecting the OUTDOOR DRUM from difficult environments. The LED OUTDOOR DRUM is a great lighting choice for canopy lighting. The TOUGH DRUM is perfect for vandal proof locations. Common applications include multi-use facilities, building entrances, institutions, apartment buildings, stairways, schools and loading docks.

The RemPhos DRUMs needs just 12 or 18 watts to provide 1600 or 2200 (lamp) lumens at 4000K of energy efficient illumination. Available in either white or black finish. ETL Listed, Energy Star Listed and carries our 5 year limited manufacturer warranty.

Plus the **unique benefits** of these LED luminaire:

- ETL Listed, Energy Star Listed
- Rated for outdoor use
- Low glare, high uniformity clean white light
- Customer preferred elegant design
- Robust design and protective polycarbonate housing

Replaces the following:



Powered by RemPhos LEDCR®



high efficiency, replaceable LED module

RemPhos LED OUTDOORDRUM and TOUGHDRUM® Luminaires



DATE

JOB NAME

TYPE

Features

- ETL Listed
- Energy Star Listed
- Outdoor Rated
- >120 LPW (lamp)

Applications

- Entryways
- Sides of buildings
- Stairways
- Loading docks

Manufacturer

RPT

Series

OUTDOORDRUM
TOUGHDRUM

Light Output

1600LM = 12W
2200LM = 18W

Color Temp.

4000K

Options

OCC: High/low/off fixture integrated RemPhos occupancy microwave sensor. Also has daylight hold off. Fully user adjustable.
High: 14W, Low = 3W



BI - LEVEL DIMMING

Ordering Example: RPT-OUTDOORDRUM-2200LM-4000K

Details

Application Features: The LED OUTDOORDRUM® and TOUGHDRUM® luminaire easily replace canopy fixtures utilizing older bulb technologies. The luminaire is designed for a safe and quick install. Product includes all of the mounting hardware and electrical connections required.

Construction: Injection molded polycarbonate housing, polycarbonate lens, stainless steel hardware, gaskets

Finish: White or bronze plastic

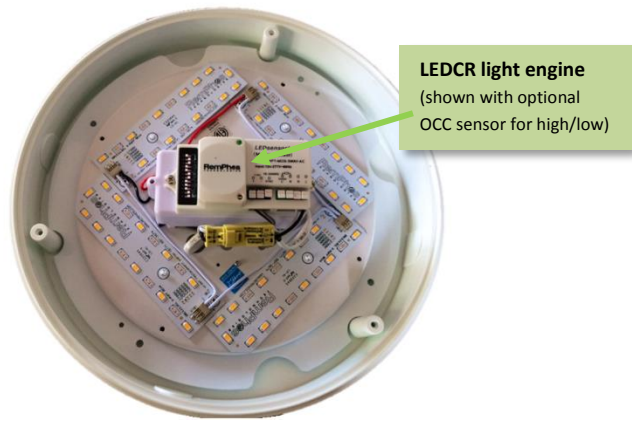
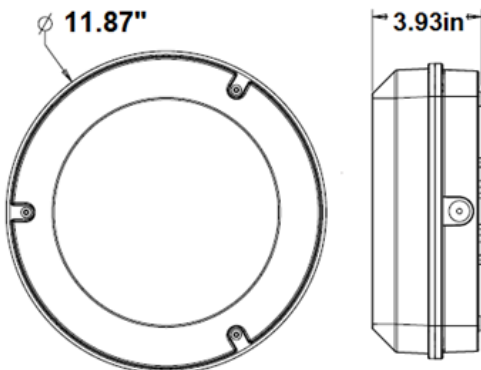
Electrical: 89% efficient UL Recognized internal driver, LM80 Samsung LEDs

Optics: Patent-pending optical system delivers perfectly uniform light from the integral LED modules.

Approvals: ETL, Energy Star, FCC, RoHS

Warranty: 5 Year Limited

DIMENSIONS (assembled sets):



LEDRCR light engine
(shown with optional OCC sensor for high/low)



Designed by **US.**
Made by **US.**