



LM79
LM80

5 YEAR
WARRANTY



The RemPhos: EXT DRIVE T8®



Easy Installation. High performance. Safe.

RemPhos LED External Driver T8 Lamps

The EXT DRIVE T8 lamps by RemPhos Technologies offer an economical and efficient alternative to upgrade to long lasting LED lighting, while retaining the original fixture. The EXT DRIVE T8 series replaces fluorescent 24in, 36in, and 48in T8/T12 lamps. Light is emitted 180 degrees so that the original fixture will be illuminated perfectly and uniformly. Extremely efficient at >110LPW, the EXT DRIVE T8 can be used as a safe retrofit for fluorescent lamps. EXT DRIVE T8 lamps are powered by high efficiency external drivers available in either non-dimmable or 0-10V dimming. UL Listed. Multiple lumen output and CCTs are available.

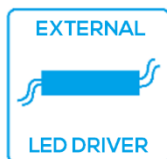
Replaces the following:

T8 fluorescent
T12 fluorescent

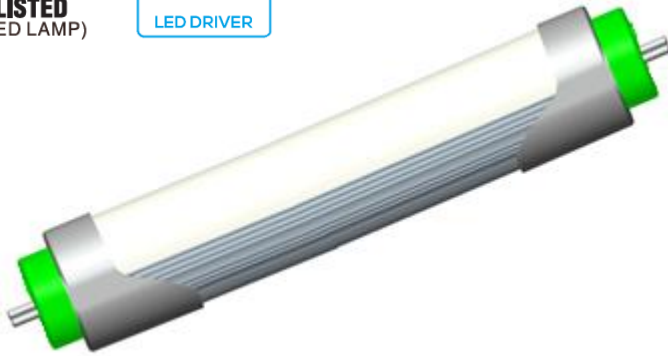
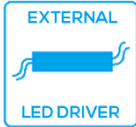


EXT DRIVE T8 can be used with:

×Double Sided power input



RemPhos EXT DRIVE® LED T8 Lamps



DATE

JOB NAME

TYPE

Features

- UL Listed
- >110LPW
- External Driver 120-277VAC

Applications

- Troffers
- Vapor tights
- Strips
- Wraps

STEP 1

Manufacturer	Series	Diameter	Length	CCT
RPT	EXTDRIVE EXTDRIVELO (48IN ONLY)	T8	24IN 36IN 48IN	3000K 3500K 4000K 5000K

WATTAGE & LIGHT OUTPUT

24IN=10W=1050LM
36IN=11W=1125LM
48IN=18W=1975LM
48IN LO = 15W=1780LM

STEP 2

Manufacturer	Series	Lamp Length	Tubes/Driver	Dim
RPT	TUBEDRIVER	24IN 36IN 48IN	1L 2L 3L 4L	10VDIM

ORDERING EXAMPLE

If you want 2pcs of 4000K, 4ft lamps running off of a single driver:
2pc: RPT-EXTDRIVE-T8-48IN-4000K
1pc: RPT-TUBEDRIVER-48IN-2L

Details

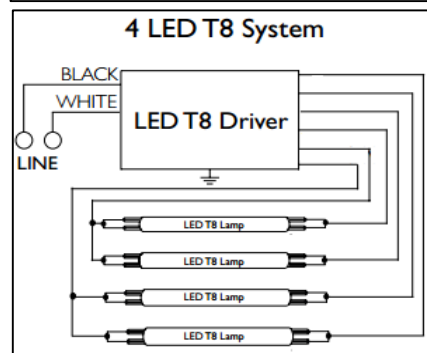
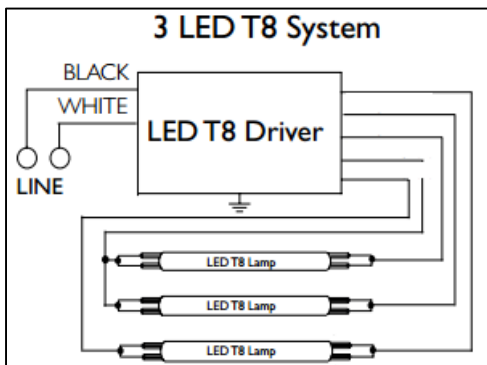
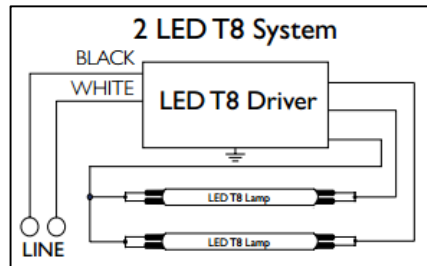
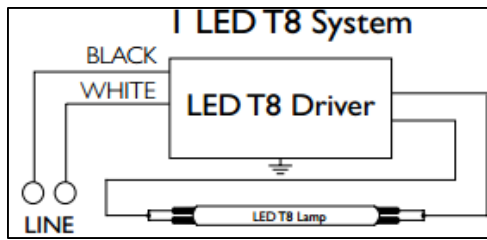
Application Features: The EXT DRIVE T8 lamps easily replace older bulb technologies. The lamps are perfect for new construction or retrofits. These LED lamps are designed to safely and quickly replace most existing fluorescent tubes.

Electrical: 89% efficient internal driver, LM80 LEDs

Approvals: cUL, FCC, RoHs

Manufactured: China – 5 Year Warranty

WIRING DIAGRAMS



Designed by **US.**
Made by **US.**