

67



JOB NAME

FIXTURE TYPE

HIGH EFFICIENCY WRAPAROUND

FEATURES

- Available in 4 sizes to suit most commercial, classroom, and residential applications.
- Narrow 6-1/2" wide unit is available in 2', 4', and 8' lengths. 1 and 2 lamp, T8 and T5.
- 11-1/4" wide unit is available in 2', 3', 4' and 8' lengths, in a two-lamp configuration, T8 and T5.
- 15" wide unit is available in 2', 4', and 8' lengths, 2, 3, and 4 lamp configurations, T8 and T5.
- Integral embossed white end plates with flush knockouts make fixtures suitable for individual or continuous row mounting.
- Diffuser hinges from either side for ease of service. Flat bottom and linear ribbed sides provide excellent light control.
- For surface or pendant mounting.
- Available with energy efficient reflectors in Specular Silver (95% reflectance) or specular aluminum (85% reflectance).

SPECIFICATIONS

- **HOUSING**
Die formed heavy gauge steel with leveling embossments, which allow direct mounting on most combustible low density ceilings. NYC approved 20 gauge steel available.
- **ELECTRICAL**
Electronic HPF ballasts comply with Federal Energy Efficiency standards.
- **SHIELDING**
100% clear acrylic prismatic diffuser is standard.
- **FINISH**
All parts finished with high gloss baked white enamel with 89% reflectance applied over iron phosphate pretreatment for maximum adhesion and rust resistance.
- **CERTIFICATION**
All units bear UL and Made in U.S.A. labels.



HIGH EFFICIENCY WRAPAROUND

Ordering Matrix

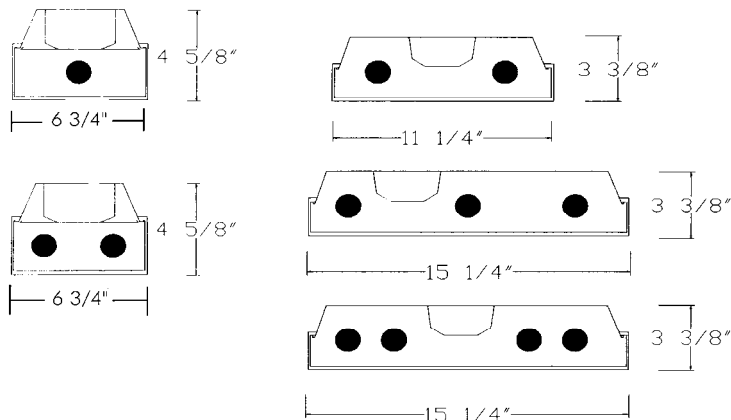
MODEL	LAMPS	LENGTH	BALLAST	VOLTAGE	OPTIONS
67	1	24"	T8/EB	120	N
	2	36"	T5/EB	277	SS95
	3	48"	T5-HO/EB	UNV	SS85
	4	96"			20G
	8	FRC			
					HO
					EM

T8/EB: Elect. Ballast
T5/EB: Elect. Ballast
T5-HO/EB: Elect. Ballast

N: 2 Light 6-1/2" Wide Unit
SS95: Specular Silver Reflector
SA85: Specular Aluminum Reflector
20G: 20 Gauge Steel
FRC: Full Reflector Cover – 3 lamp versions required for pendant mounting.
HO: High Output T8 Ballast
EM: Emergency Backup

Example: If you wanted to specify a 4-foot 67 fixture with two T5HO lamps the model number would read as follows:

67-2-48-T5HO/EB



*For critical application verify all dimensions with factory.
 For additional Lamp/Ballast options, consult factory.*