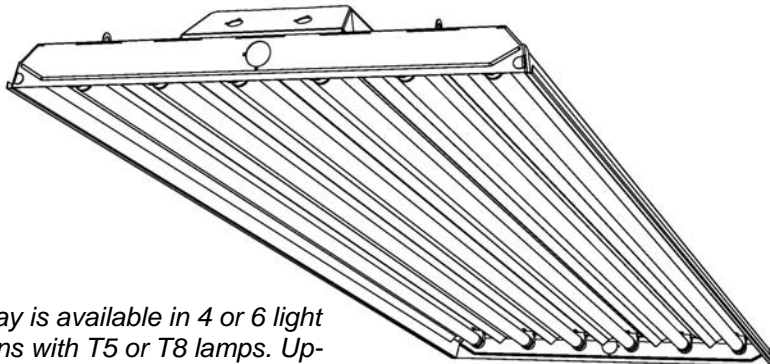


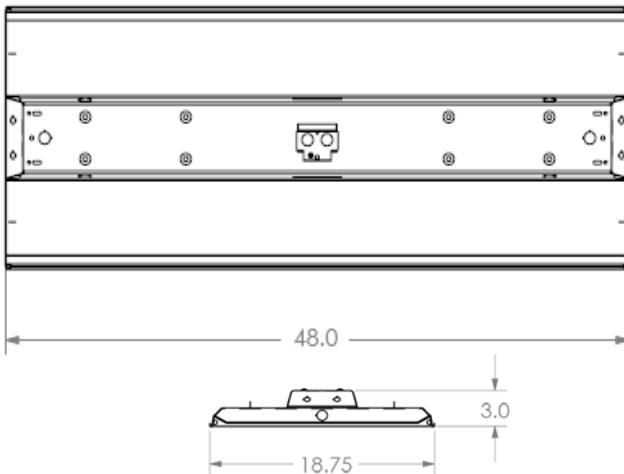
CATALOG NUMBER	TYPE

“Reflect-A-Bay”
T5/T8 Fluorescent REF
 6-Lamp Industrial Bay Lighter
 18.75” x 3.0” x 48.0”



Reflect-A-Bay is available in 4 or 6 light configurations with T5 or T8 lamps. Up-light aperture option available.

DIMENSIONS



Housing: Die formed heavy gauge steel housing with high-gloss baked white enamel finish over rust inhibiting phosphate coat. Fixture is shipped fully wired. Ample knockouts provided.

Electrical: Fully wired for 120-277V, 60 Hz AC operation with ETL-CBM, thermally protected, automatic resetting, Class P, sound rated A, programmed-start, electronic T5 HO or T8 ballast. High ballast factor T8 ballasts are also available. The 6 lamp unit contains 1-(2) lamp and 1-(4) lamp ballast. The 4 lamp unit contains 1- (4) lamp ballast as standard. UL listed.

Reflectors: Computer designed, faceted, highly reflective specular aluminum. Slotting available for cooler operation and up-light.

Operation: T5 and T8 fixtures are suitable for ambient temperature up to 113° F (45° C)

Options: Occupancy sensors and an emergency lighting system are available. Please specify in the order code.

Mounting: Surface, pendant, slide box, and various chain hanger configurations. Order kit separately.

Accessories: Wire guards are available. Please order separately.

Special Applications: SIMKAR strives to offer the most current product designs and value. Please contact Simkar for more information regarding unique application requirements.

ORDERING INFORMATION

Example: REF632SB1 1UNVSRBP

REF	SERIES	LAMPS	APERTURE	BALLAST	VOLTAGE	REFLECTOR	OPTIONS
REF – “Reflect-A-Bay” Fluorescent Industrial Bay Lighter		T8 Lamps: 432 – (4) 32W 632 – (6) 32W	A – Up Light Aperture	B11 B12 B9(x) ²	120V 277V 480V ¹ UNV – 120-277 ⁶	SR – Specular Aluminum Reflectors	ELS – Emergency Lighting System
		T5 HO Lamps: 454 – (4) 54W 654 – (6) 54W	S – Solid Reflectors, Down Light Only			WR – Single White Reflector Pan	BP – Bulk Pack
							L-(x) ³ CP3-(x)-(x) ⁴ OS-(x) ⁵

- 1 – Consult Factory
- 2 – Customer Specified Ballast
- 3 – Specify Color K°, Shipped Not Installed
- 4 – Specify Voltage/Plug Type: TL (Twist Lock) or SB (Straight Blade) or NEMA # and Cord Length in Feet
- 5 – Occupancy Sensor (360°) Specify Number of Switched Lamps: 2, 4 or 6 (Default Switched Lamps at Center)
- 6 – Default Ballast If Not Specified